

HAND TOOLS

In 1981, Sylvac launched the first caliper with digital read-out on the market. Quickly, other models followed and the market of these handtools took an incredible rise.

Today, Sylvac remains a leader in this market and offers a range of calipers with digital read-out of a measurement capacity from 150 to 3000 mm. Other handtools complete this range.

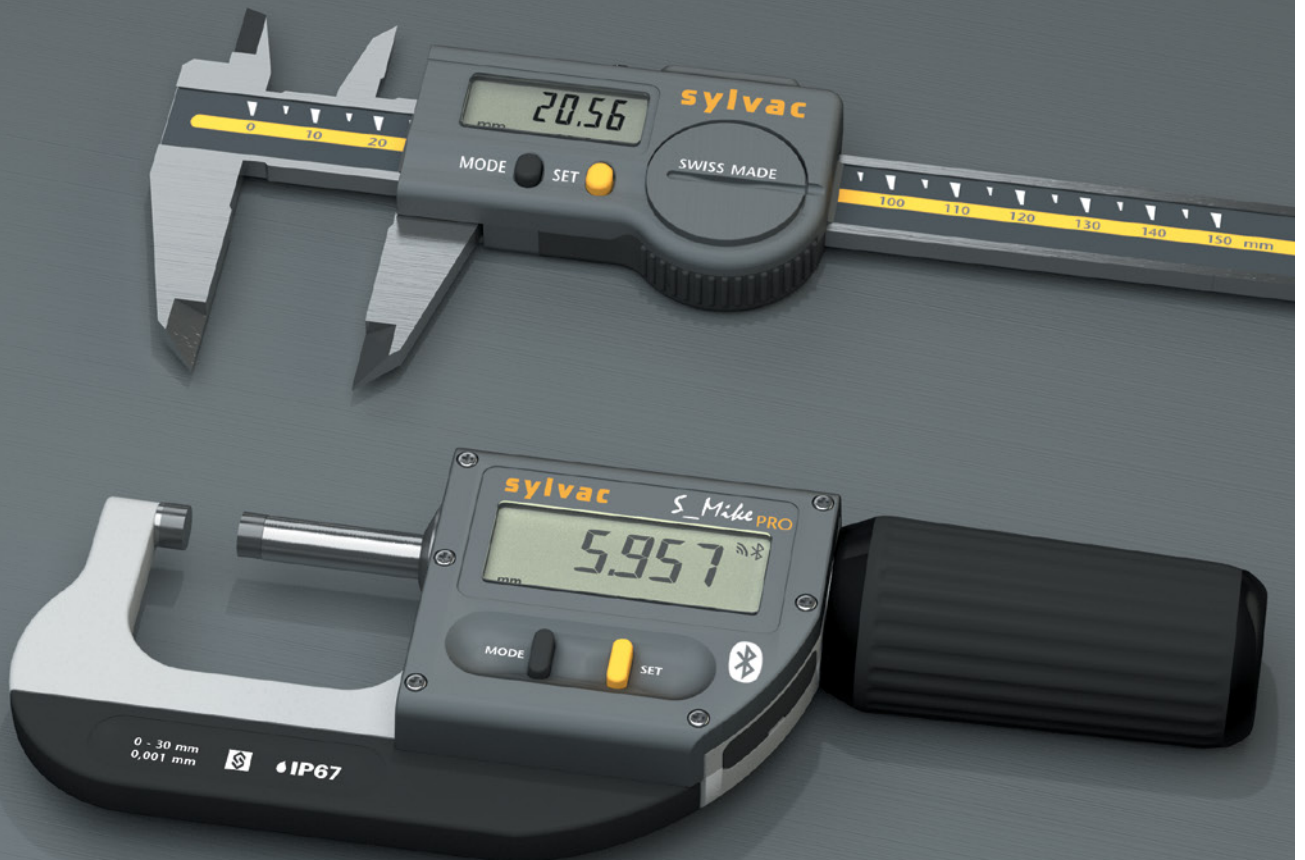
Sylvac inductive measuring system (patented)

Data output

Power supply: Lithium battery 3V, Type CR 2032

Operational temperature: +5 to +40°C

mm/inch selection



Caliper

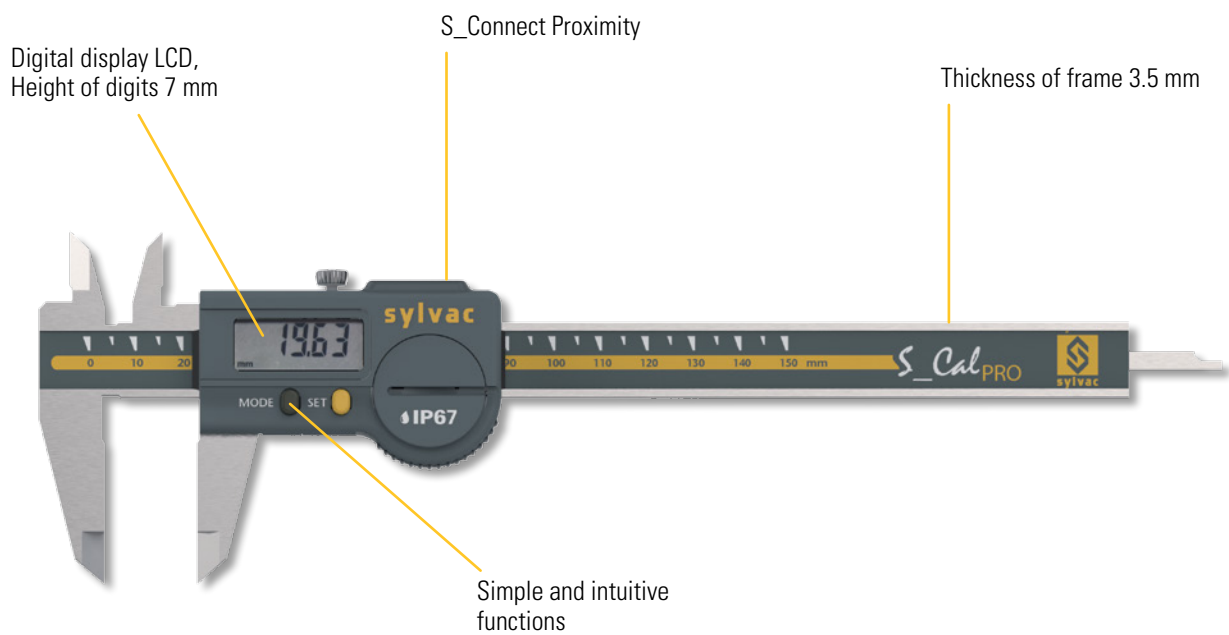
S_Cal PRO

A

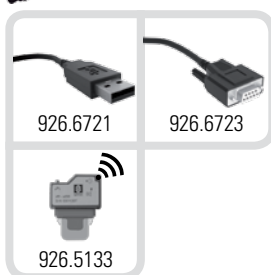
DESCRIPTION

PROXIMITY

- Water protected for heavy-duty work with coolants and lubricants, protection rating IP67 according to IEC 60529, **even connected**
- Automatic wake-up by moving the electronic on his frame. (Absolute System S.I.S)
- Sleeping mode after 20 min. of no use. (Absolute System S.I.S)
- Position memorized in sleeping mode, **Absolute System S.I.S***
- Maximum speed of displacement : 2.5 m/sec
- Mechanical frame in stainless steel, hardened and ground
- Thumb wheel on request (see accessories)
- Great comfort of use thanks to its ergonomic frame



PROXIMITY



Proximity output data !

SIS Smart Inductive System

WATER RESISTANT

IP67

* SIS description on page 5

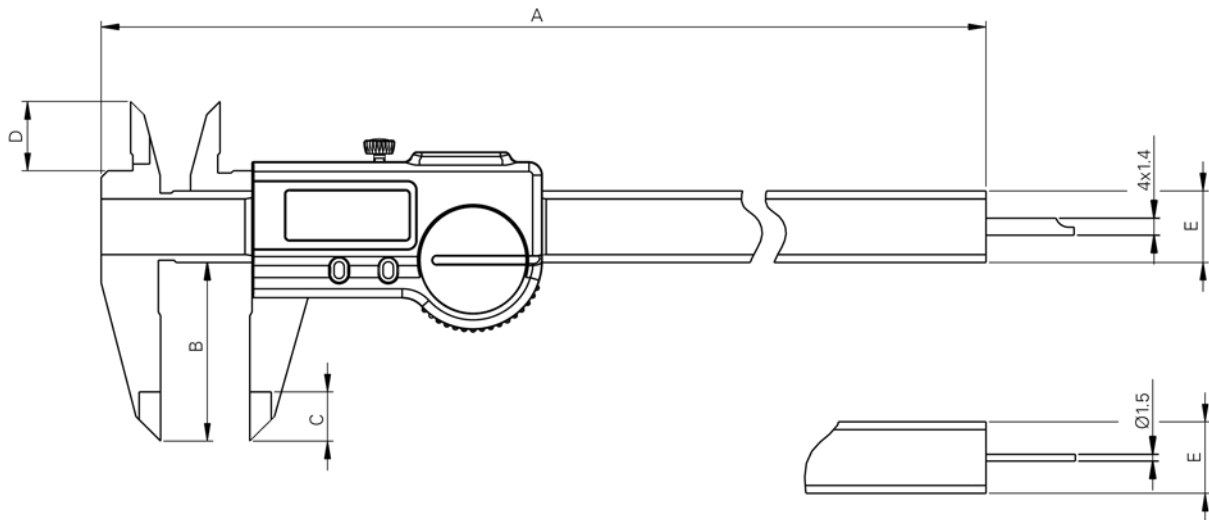
Caliper

S_Cal PRO

DIMENSIONAL DRAWING

PROXIMITY

A



TECHNICAL SPECIFICATIONS

		910.1502	910.1507	910.1522	910.1532
Measuring range	mm	150	150	200	300
Max. Error G	µm	20 ¹⁾	20 ¹⁾	30	30
A	mm	234.5	234.5	290.5	388
B	mm	40	40	50	64
C	mm	11	11	14	14
D	mm	16	16	19	19
E	mm	16 x 3.5	16 x 3.5	16 x 3.5	16 x 4
Depth rod	mm	■ 4 x 1.4	∅ 1.5	■ 4 x 1.4	---
Protection rating according to IEC 60529	IP67 with or without connector				
S_Connect : Proximity	USB / RS232 / Wireless ²⁾				
Functions	Zero setting, mm/inch, Data				
Smart Inductive Sensor	●				

¹⁾ > 100 mm : 30 µm / DIN 862

²⁾ see cables chapter

Micron Caliper

S_Cal PRO μm

A

DESCRIPTION

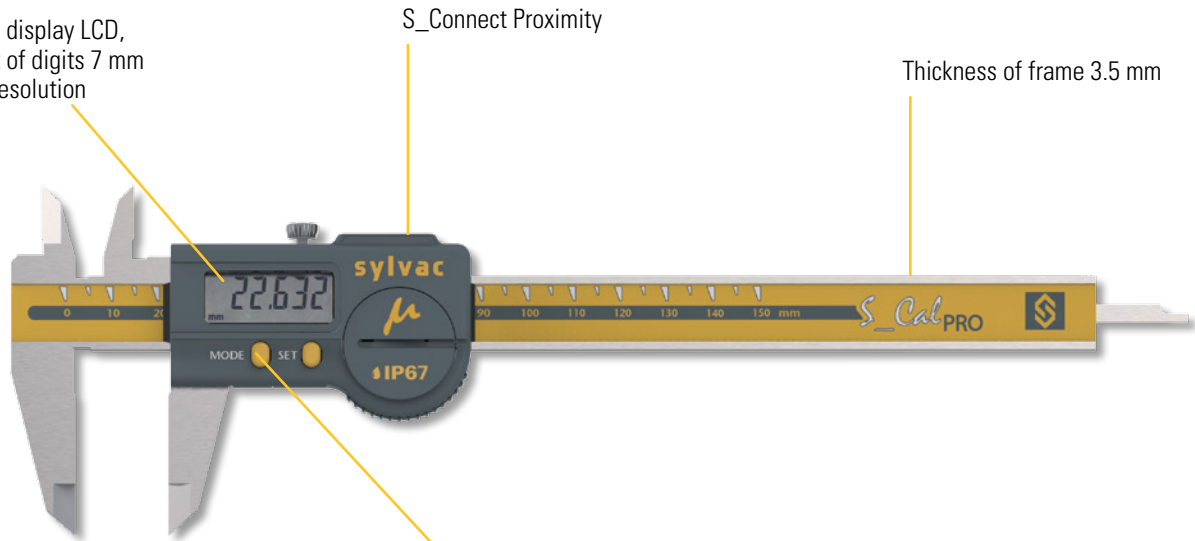
PROXIMITY MICRON

- Water protected for heavy-duty work with coolants and lubricants, protection rating IP67 **even connected**
- Automatic wake-up by moving the electronic on his frame. (Absolute System S.I.S)
- Sleeping mode after 20 min. of no use. (Absolute System S.I.S)
- Position memorized in sleeping mode, **Absolute System S.I.S***
- Maximum speed of displacement : 2.5 m/sec
- Thumb wheel on request (see accessories)
- Mechanical frame in stainless steel, hardened and ground
- Improved parallelism of internal jaws compared to version S_Cal PRO
- **Preset**
- **Resolution 0,001mm or 0,00005"**
- **4 μm repeatability**

Digital display LCD,
Height of digits 7 mm
1 μm resolution

S_Connect Proximity

Thickness of frame 3.5 mm



Simple and intuitive
functions

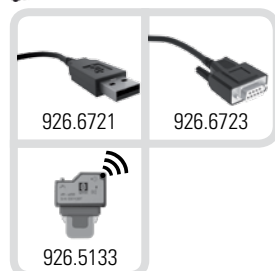
**SWISS
MADE**

SIS Smart
Inductive
System

WATER RESISTANT

IP67

PROXIMITY



Proximity output data !

4 μm repeatability

* SIS description on page 5

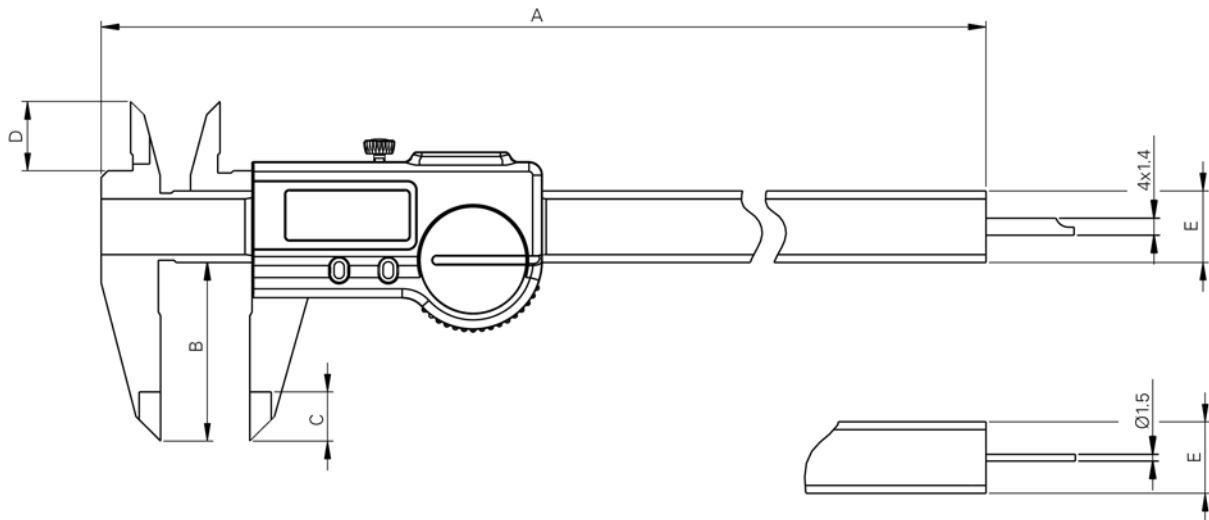
Micron Caliper

S_Cal PRO μm

DIMENSIONAL DRAWING

PROXIMITY MICRON

A



TECHNICAL SPECIFICATIONS

		910.9502	910.9507
Measuring range	mm	150	150
Max. Error G	μm	15 ¹⁾	15 ¹⁾
Resolution	mm	0.001	
A	mm	234.5	234.5
B	mm	40	40
C	mm	11	11
D	mm	16	16
E	mm	16 x 3.5	16 x 3.5
Depth rod	mm	4 x 1.4	$\varnothing 1.5$
Protection rating according to IEC 60529		IP67 with or without connector	
S_Connect : Proximity		USB / RS232 / Wireless ²⁾	
Functions		mm/inch, preset, zero setting, Data	
Smart Inductive Sensor		●	

¹⁾ < 100 mm: 15 μm / > 100 mm : 30 μm / DIN 862

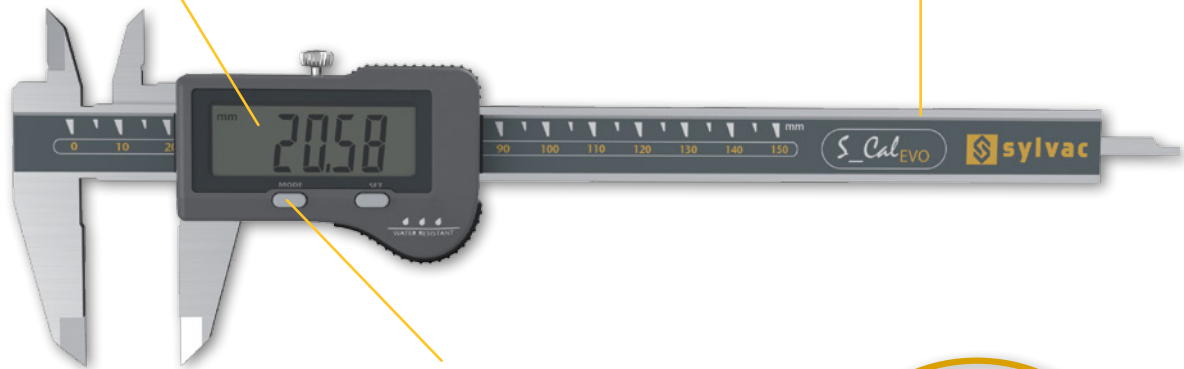
²⁾ see cables chapter

• Standard professional caliper

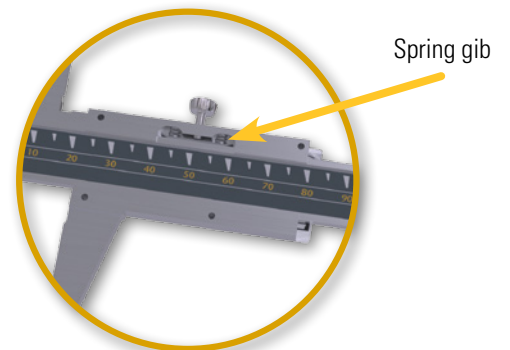
- New extra-large display
- Automatic wake-up by moving the electronic on his frame. (Absolute System S.I.S)
- Sleeping mode after 20 min. of no use. (Absolute System S.I.S)
- Position memorized in sleeping mode, **Absolute System S.I.S***
- Maximum speed of displacement : 2.5 m/sec
- Mechanical frame in stainless steel, hardened and grinded
- Great comfort of use thanks to its ergonomic frame
- Thumb wheel on request (see accessories)

Digital display LCD,
Height of digits 11.5 mm

Thickness of frame 3.5 mm



Simple and intuitive
functions



Sliding mechanism

SIS Smart Inductive System

WATER RESISTANT

IP54

Coolant and lubricant resistant

* SIS description on page 5

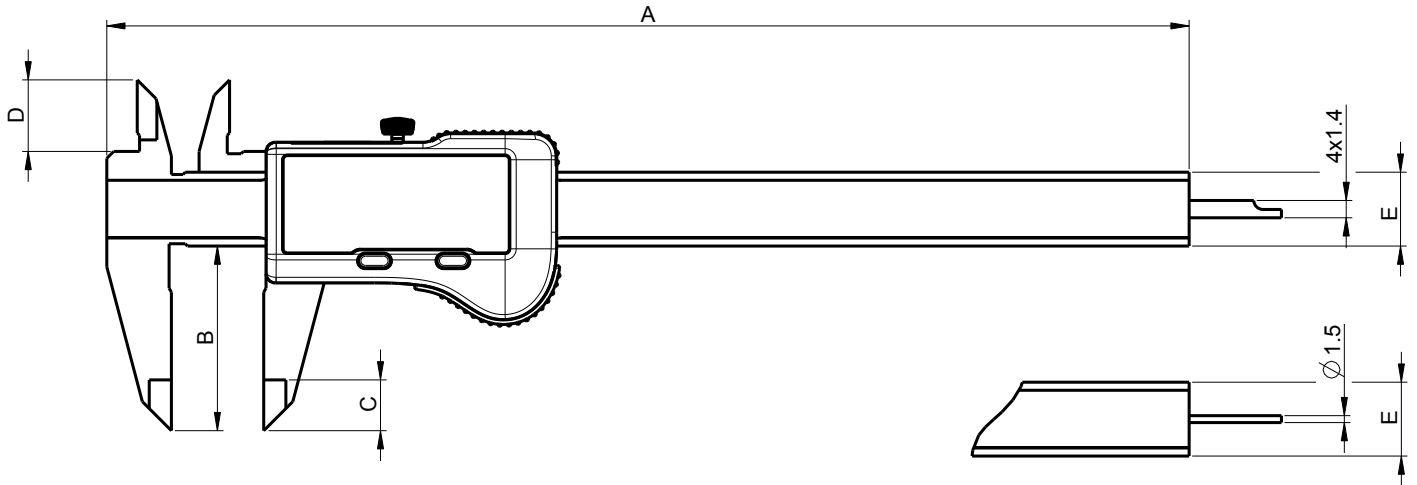
Caliper

S_Cal EVO

DIMENSIONAL DRAWING

STANDARD

A

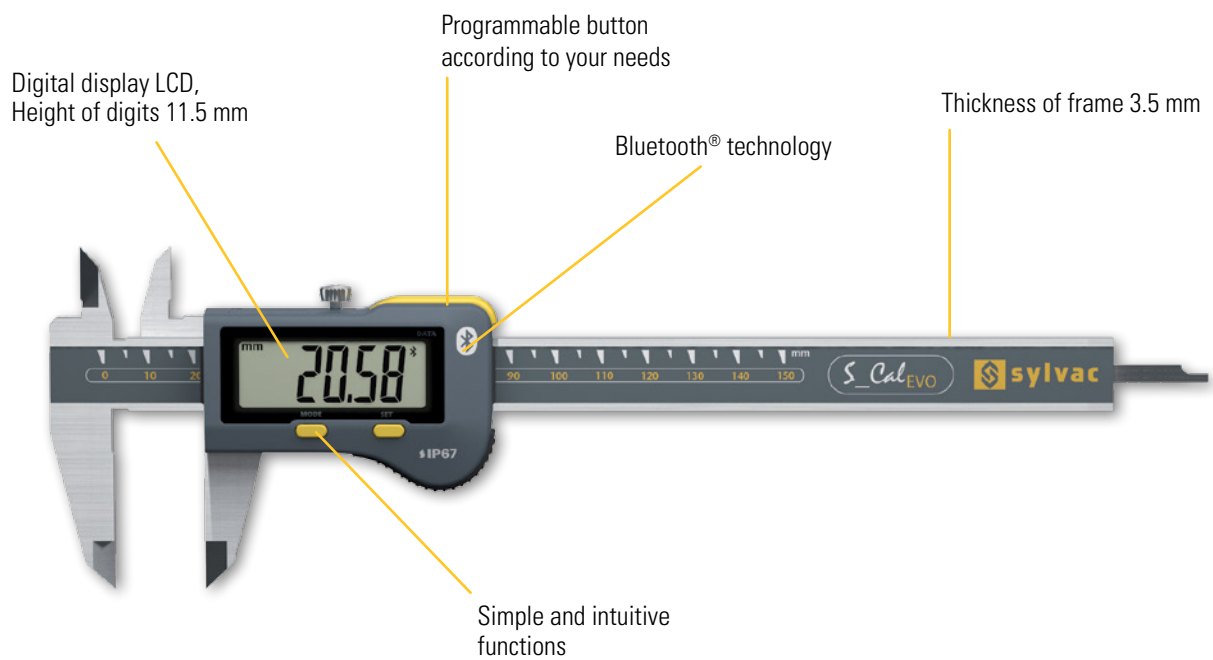


TECHNICAL SPECIFICATIONS

		810.1402	810.1407	810.1422	810.1432
Measuring range	mm	150	150	200	300
Max. Error G	µm	20 ¹⁾	20 ¹⁾	30	30
A	mm	234.5	234.5	290.5	388
B	mm	40	40	50	64
C	mm	11	11	14	14
D	mm	16	16	19	19
E	mm	16 x 3.5	16 x 3.5	16 x 3.5	16 x 4
Depth rod	mm	■ 4 x 1.4	∅ 1.5	■ 4 x 1.4	---
Protection rating according to IEC 60529	IP54				
Functions	Zero setting, Preset (max 999.99), mm/inch, Hold				
Smart Inductive Sensor	●				

¹⁾ > 100 mm : 30 µm / DIN 862

- **Integrated Bluetooth® technology**
- New extra-large display
- Programmable button according to your needs
- Water protected for heavy-duty work with coolants and lubricants, protection rating IP67 according to IEC 60529,
- Automatic wake-up by moving the electronic on his frame. (Absolute System S.I.S)
- Sleeping mode after 20 min. of no use. (Absolute System S.I.S)
- Position memorized in sleeping mode, **Absolute System S.I.S***
- Maximum speed of displacement : 2.5 m/sec
- Mechanical frame in stainless steel, hardened and grinded
- Great comfort of use thanks to its ergonomic frame
- Thumb wheel on request (see accessories)



Bluetooth® wireless technology and IP67 protection rating!

SIS Smart Inductive System



IP67



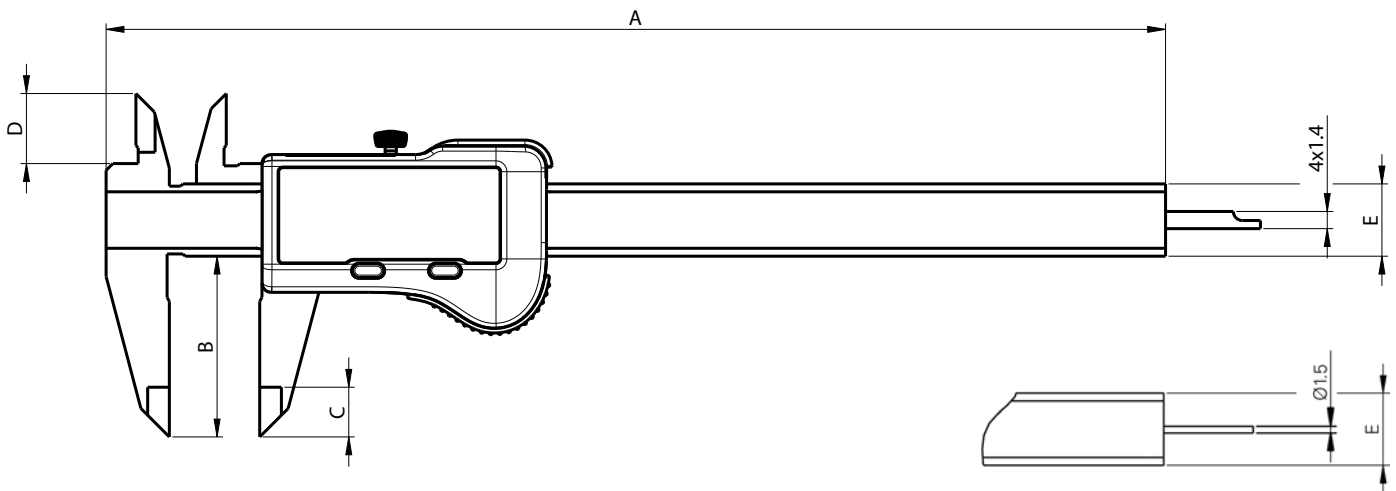
* SIS description on page 5

Caliper

S_Cal EVO BT

DIMENSIONAL DRAWING

BLUETOOTH®



TECHNICAL SPECIFICATIONS

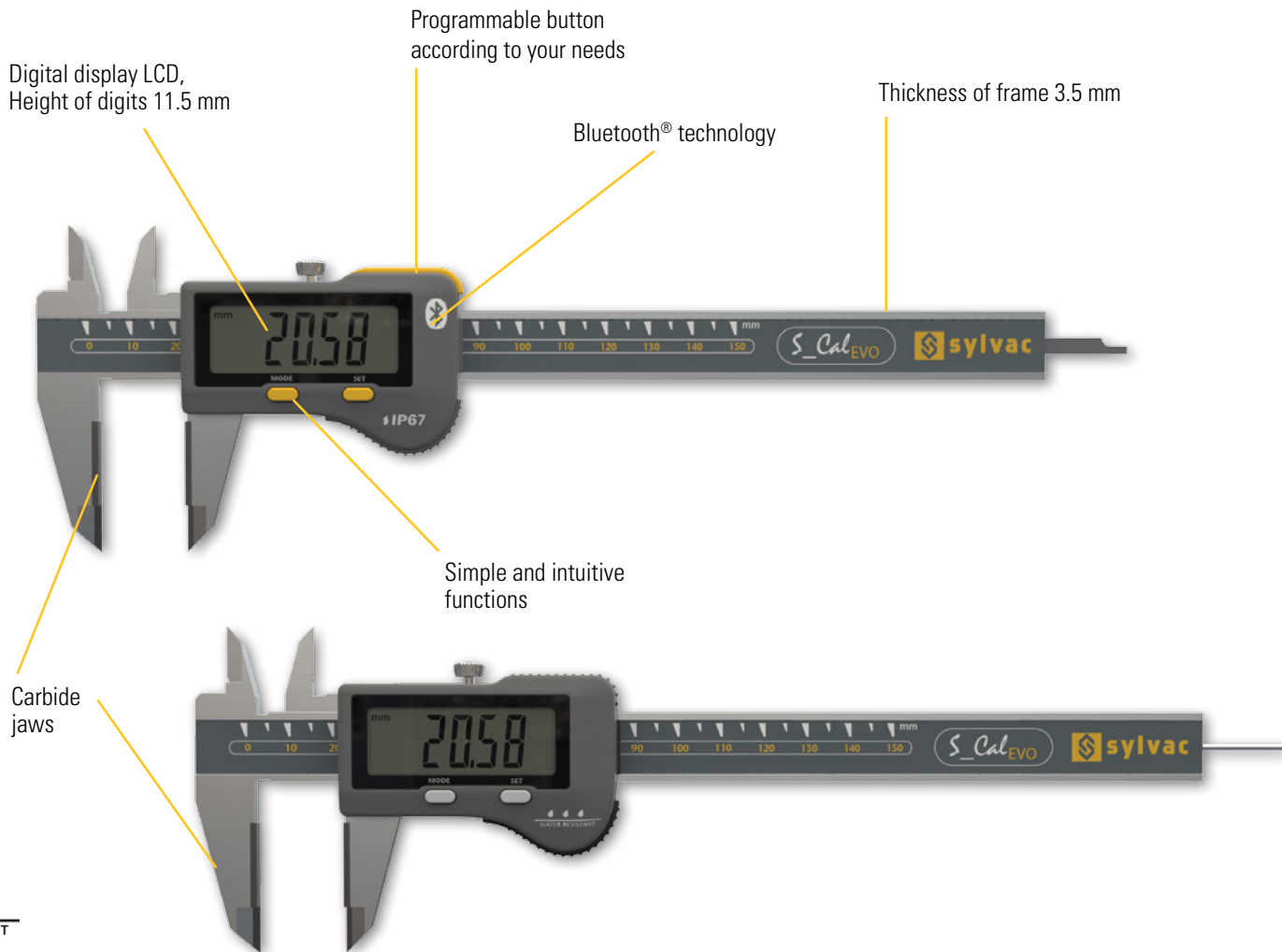
		810.1506	810.1516	810.1526	810.1536
Measuring range	mm	150	150	200	300
Max. Error G	µm	20 ¹⁾	20 ¹⁾	30	30
A	mm	234.5	234.5	290.5	388
B	mm	40	40	50	64
C	mm	11	11	14	14
D	mm	16	16	19	19
E	mm	16 x 3.5	16 x 3.5	16 x 3.5	16 x 4
Depth rod	mm	■ 4 x 1.4	Ø 1.5	■ 4 x 1.4	---
Protection rating according to IEC 60529	IP67				
Connection	Bluetooth® wireless technology*				
Functions	Zero setting, Preset (max 999.99), mm/inch, Hold, Data				
Smart Inductive Sensor	●				

¹⁾ > 100 mm : 30 µm / DIN 862

* see cables chapter

*** Up to 8 instruments connected per dongle #981.7100**
More informations on How to use Bluetooth® leaflet SYL_1401_EN_BT

- **Integrated Bluetooth® technology (depends on model)**
- **Carbide jaws**
- New extra-large display
- Programmable button according to your needs (depends on model)
- Automatic wake-up by moving the electronic on his frame. (Absolute System S.I.S)
- Sleeping mode after 20 min. of no use. (Absolute System S.I.S)
- Position memorized in sleeping mode, **Absolute System S.I.S***
- Maximum speed of displacement : 2.5 m/sec
- Mechanical frame in stainless steel, hardened and grinded
- Great comfort of use thanks to its ergonomic frame
- Thumb wheel on request (see accessories)



SIS Smart Inductive System



IP67 IP54

Carbide jaws

* SIS description on page 5

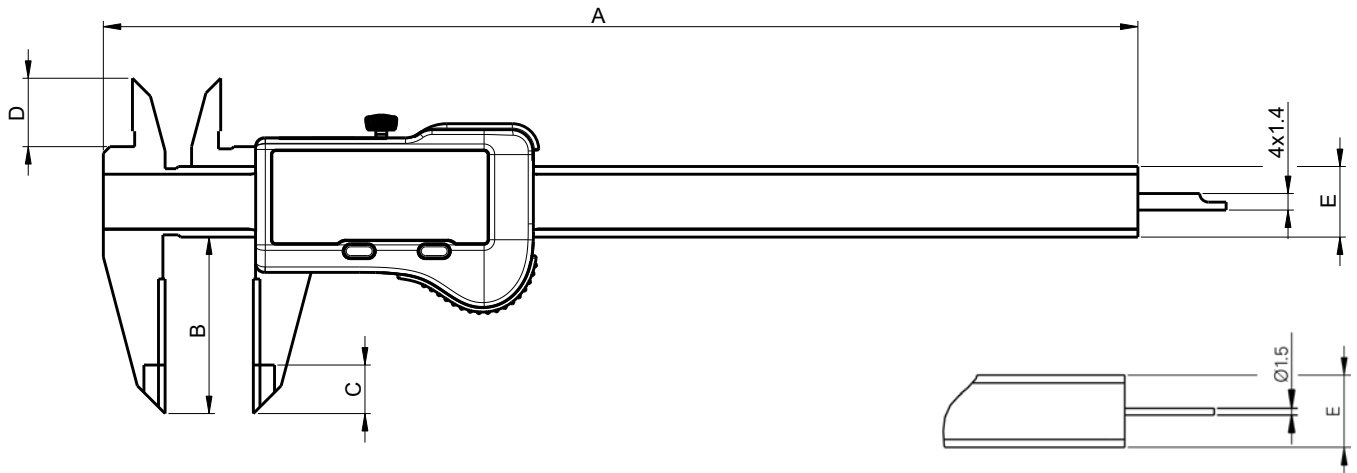
Caliper

S_Cal EVO

DIMENSIONAL DRAWING

CARBIDE

A



TECHNICAL SPECIFICATIONS

		810.1409	810.1509
Measuring range	mm	150	150
Max. Error G	μm	20 ¹⁾	20 ¹⁾
A	mm	234.5	234.5
B	mm	40	40
C	mm	11	11
D	mm	16	16
E	mm	16 x 3.5	16 x 3.5
Depth rod	mm	$\varnothing 1.5$	4×1.4
Protection rating according to IEC 60529		IP54	IP67
Connection		-	Bluetooth® wireless technology*
Functions		Zero setting, Preset (max 999.99), mm/inch, Hold, Data	
Smart Inductive Sensor		●	

¹⁾ > 100 mm : 30 μm / DIN 862

* see cables chapter

*** Up to 8 instruments connected per dongle #981.7100**
More informations on How to use Bluetooth® leaflet SYL_1401_EN_BT

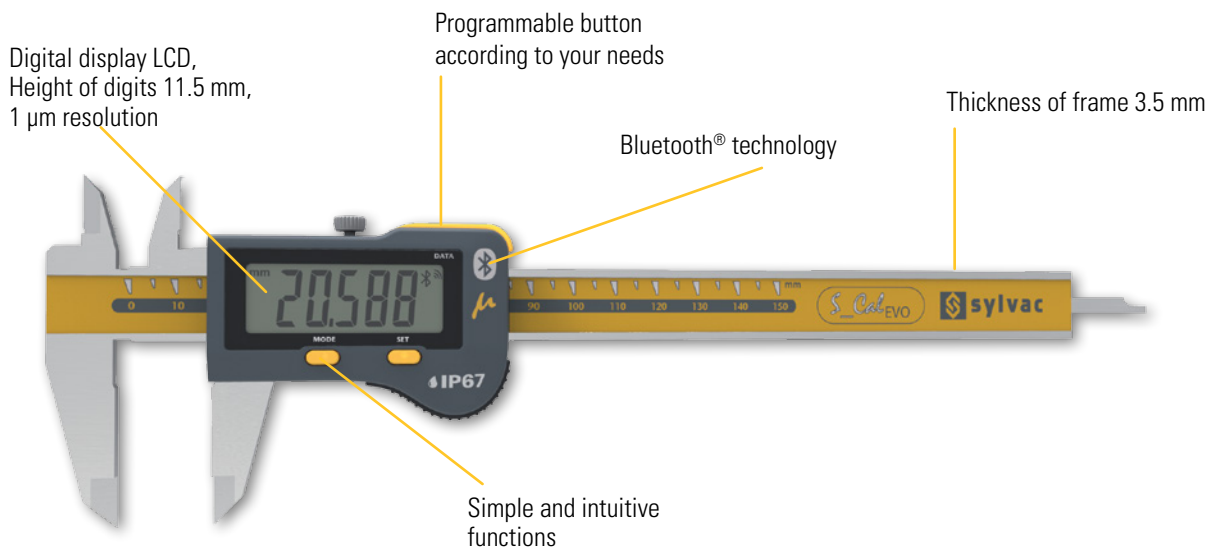
Micron Caliper

S_Cal EVO BT μ m

DESCRIPTION

MICRON

- **Integrated Bluetooth® technology**
- New extra-large micron display
- Programmable button according to your needs
- Water protected for heavy-duty work with coolants and lubricants, protection rating IP67 according to IEC 60529,
- Automatic wake-up by moving the electronic on his frame. (Absolute System S.I.S)
- Sleeping mode after 20 min. of no use. (Absolute System S.I.S)
- Position memorized in sleeping mode, **Absolute System S.I.S***
- Maximum speed of displacement : 2.5 m/sec
- Mechanical frame in stainless steel, hardened and grinded
- Great comfort of use thanks to its ergonomic frame
- Thumb wheel on request (see accessories)



SIS Smart Inductive System

WATER RESISTANT

IP67

4 μ m repeatability



* SIS description on page 5

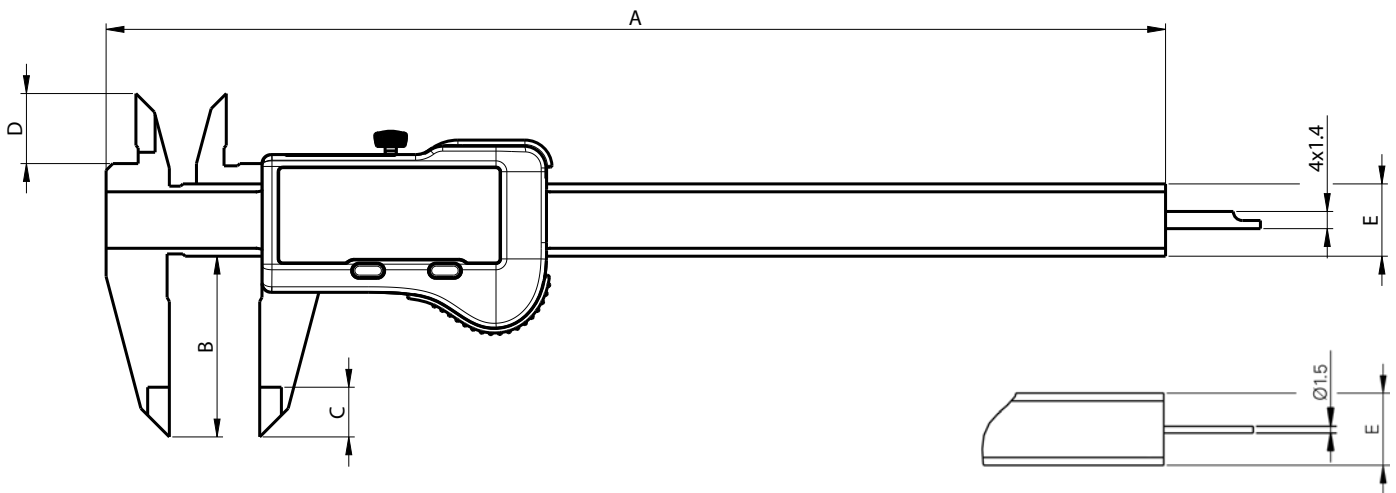
Micron Caliper

S_Cal EVO BT μm

DIMENSIONAL DRAWING

MICRON

A



TECHNICAL SPECIFICATIONS

		810.9506	810.9516
Measuring range	mm	150	150
Max. Error G	μm	15 ¹⁾	15 ¹⁾
Resolution	mm	0.001	
A	mm	234.5	234.5
B	mm	40	40
C	mm	11	11
D	mm	16	16
E	mm	16 x 3.5	16 x 3.5
Depth rod	mm	— 4 x 1.4	\varnothing 1.5
Protection rating according to IEC 60529		IP67	IP67
Connection		Bluetooth® wireless technology*	
Functions		Zero setting, Preset (max 999.99), mm/inch, Hold, Data	
Smart Inductive Sensor		●	

¹⁾ < 100 mm: 15 μm / > 100 mm : 30 μm / DIN 862

* see cables chapter

*** Up to 8 instruments connected per dongle #981.7100**
More informations on How to use Bluetooth® leaflet SYL_1401_EN_BT

Special caliper

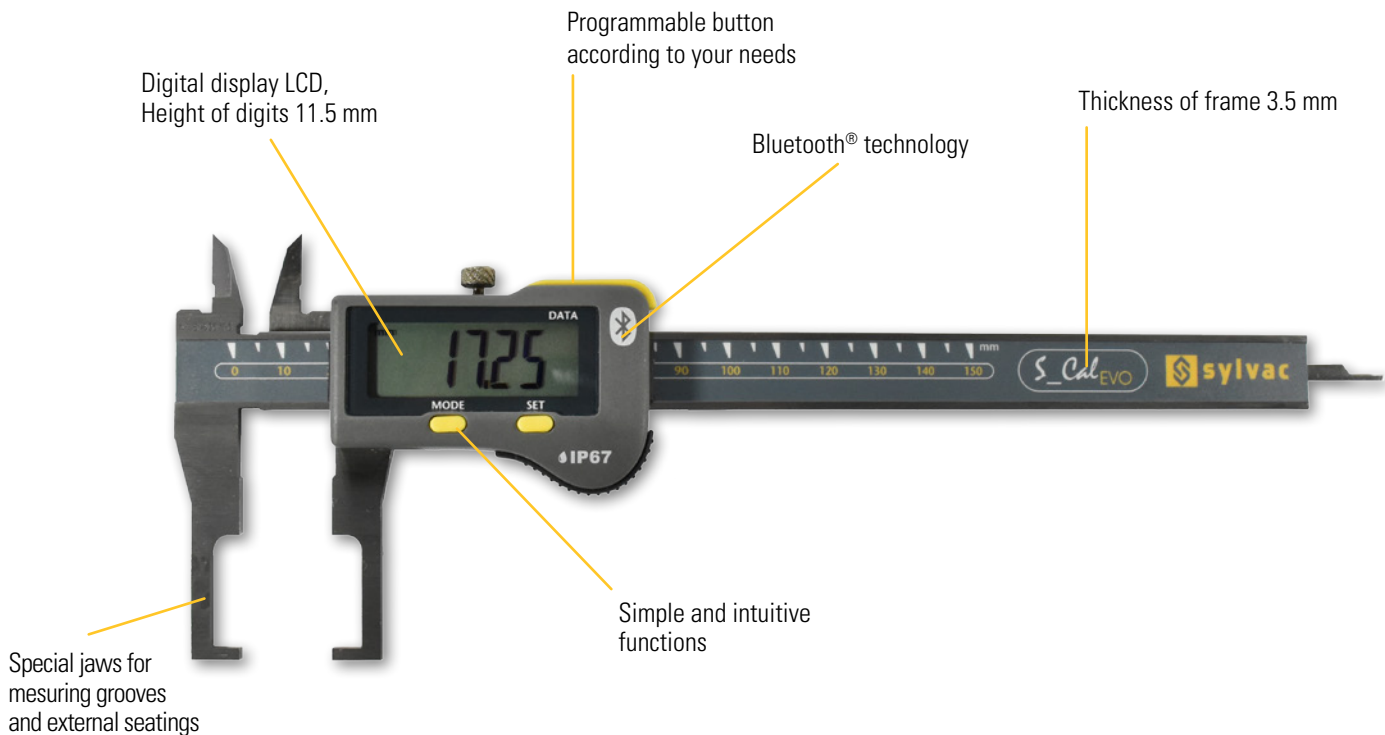
S_Cal EVO BT EG

DESCRIPTION

EXTERNAL GROOVE

- **Integrated Bluetooth® technology**

- Special jaws for measuring grooves and external seatings
- Programmable button according to your needs
- Water protected for heavy-duty work with coolants and lubricants, protection rating IP67 according to IEC 60529,
- Automatic wake-up by moving the electronic on his frame. (Absolute System S.I.S)
- Sleeping mode after 20 min. of no use. (Absolute System S.I.S)
- Position memorized in sleeping mode, **Absolute System S.I.S***
- Maximum speed of displacement : 2.5 m/sec
- Mechanical frame in stainless steel, hardened and grinded
- Great comfort of use thanks to its ergonomic frame



SIS Smart Inductive System



IP67

For measuring grooves and external seatings

* SIS description on page 5

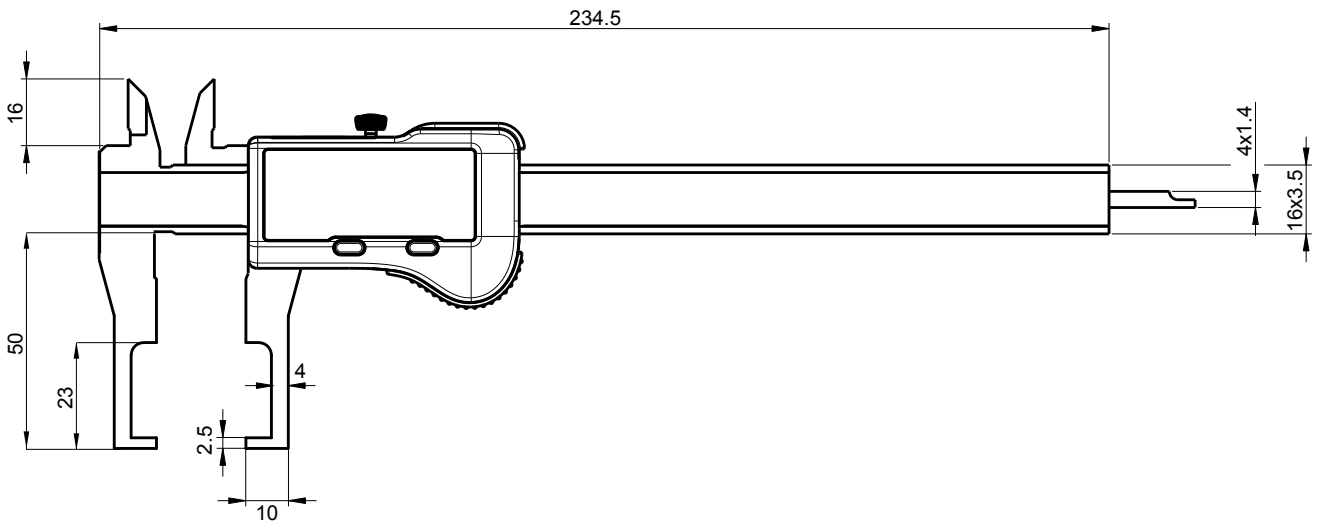
Special caliper

S_Cal EVO BT EG

DIMENSIONAL DRAWING

EXTERNAL GROOVE

A



TECHNICAL SPECIFICATIONS

		810.1602
Measuring range	mm	150
Max. Error G	µm	20 ¹⁾
Depth rod	mm	■ 4 x 1.4
Protection rating according to IEC 60529		IP67
Connection		Bluetooth® wireless technology*
Functions		Zero setting, Preset (max 999.99), mm/inch, Hold, Data
Smart Inductive Sensor		●

¹⁾ > 100 mm : 30 µm / DIN 862

* see cables chapter

*** Up to 8 instruments connected per dongle #981.7100**
More informations on How to use Bluetooth® leaflet SYL_1401_EN_BT

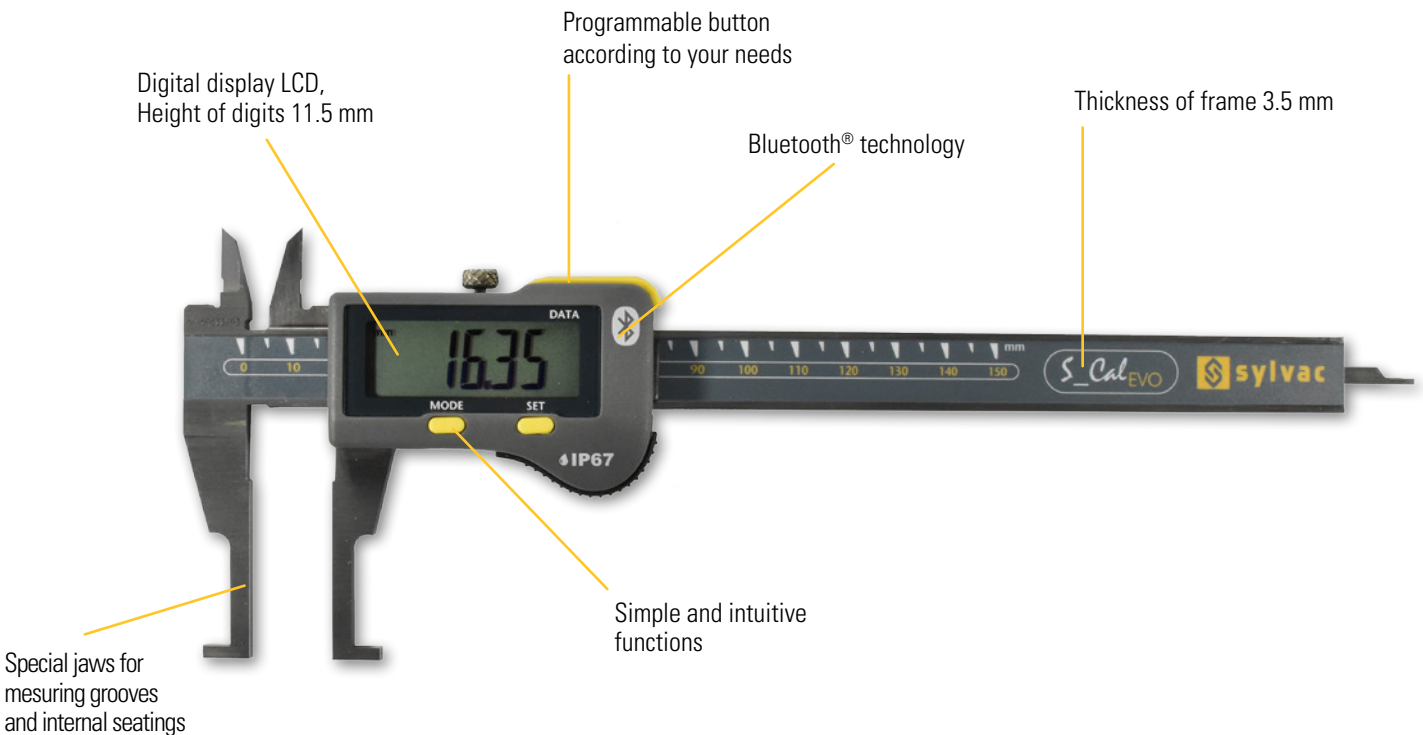
Special caliper

S_Cal EVO BT IG

DESCRIPTION

INTERNAL GROOVE

- **Integrated Bluetooth® technology**
- Special jaws for measuring grooves and internal seatings
- Programmable button according to your needs
- Water protected for heavy-duty work with coolants and lubricants, protection rating IP67 according to IEC 60529,
- Automatic wake-up by moving the electronic on his frame. (Absolute System S.I.S)
- Sleeping mode after 20 min. of no use. (Absolute System S.I.S)
- Position memorized in sleeping mode, **Absolute System S.I.S***
- Maximum speed of displacement : 2.5 m/sec
- Mechanical frame in stainless steel, hardened and grinded
- Great comfort of use thanks to its ergonomic frame



SIS Smart Inductive System

WATER RESISTANT

IP67

For measuring grooves and internal seatings

* SIS description on page 5

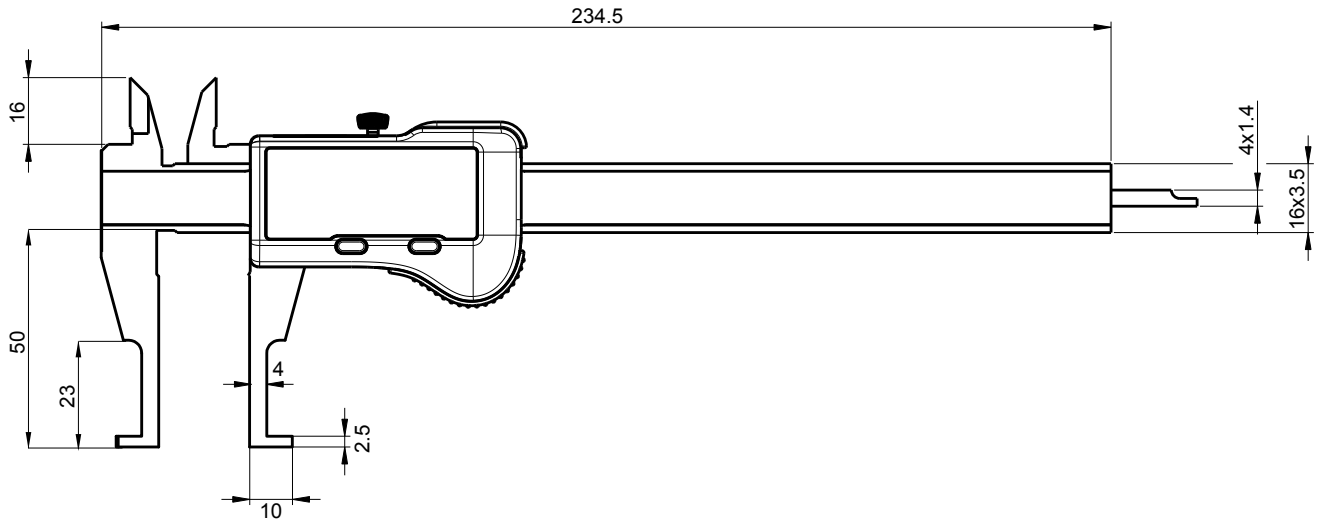
Special caliper

S_Cal EVO BT IG

DIMENSIONAL DRAWING

INTERNAL GROOVE

A



TECHNICAL SPECIFICATIONS

		810.1600
Measuring range	mm	150
Max. Error G	µm	20 ¹⁾
Depth rod	mm	— 4 x 1.4
Protection rating according to IEC 60529		IP67
Connection		Bluetooth® wireless technology*
Functions		Zero setting, Preset (max 999.99), mm/inch, Hold, Data
Smart Inductive Sensor		●

¹⁾ > 100 mm : 30 µm / DIN 862

* see cables chapter

*** Up to 8 instruments connected per dongle #981.7100**
More informations on How to use Bluetooth® leaflet SYL_1401_EN_BT

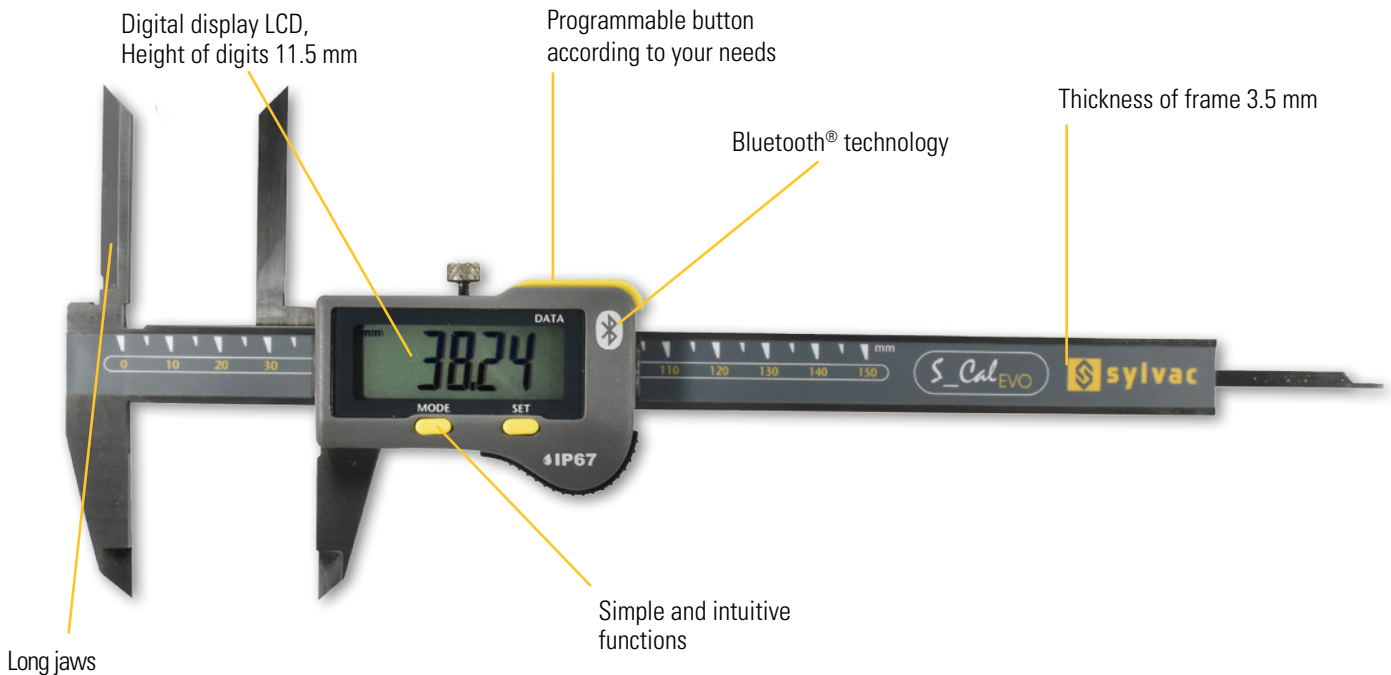
Special caliper

S_Cal EVO BT DM

DESCRIPTION

DEEP MEASUREMENT

- **Integrated Bluetooth® technology**
- Long internal jaws for deep measurements
- Programmable button according to your needs
- Water protected for heavy-duty work with coolants and lubricants, protection rating IP67 according to IEC 60529,
- Automatic wake-up by moving the electronic on his frame. (Absolute System S.I.S)
- Sleeping mode after 20 min. of no use. (Absolute System S.I.S)
- Position memorized in sleeping mode, **Absolute System S.I.S***
- Maximum speed of displacement : 2.5 m/sec
- Mechanical frame in stainless steel, hardened and grinded
- Great comfort of use thanks to its ergonomic frame



SIS Smart Inductive System



IP67

Long internal jaws for deep measurements

* SIS description on page 5

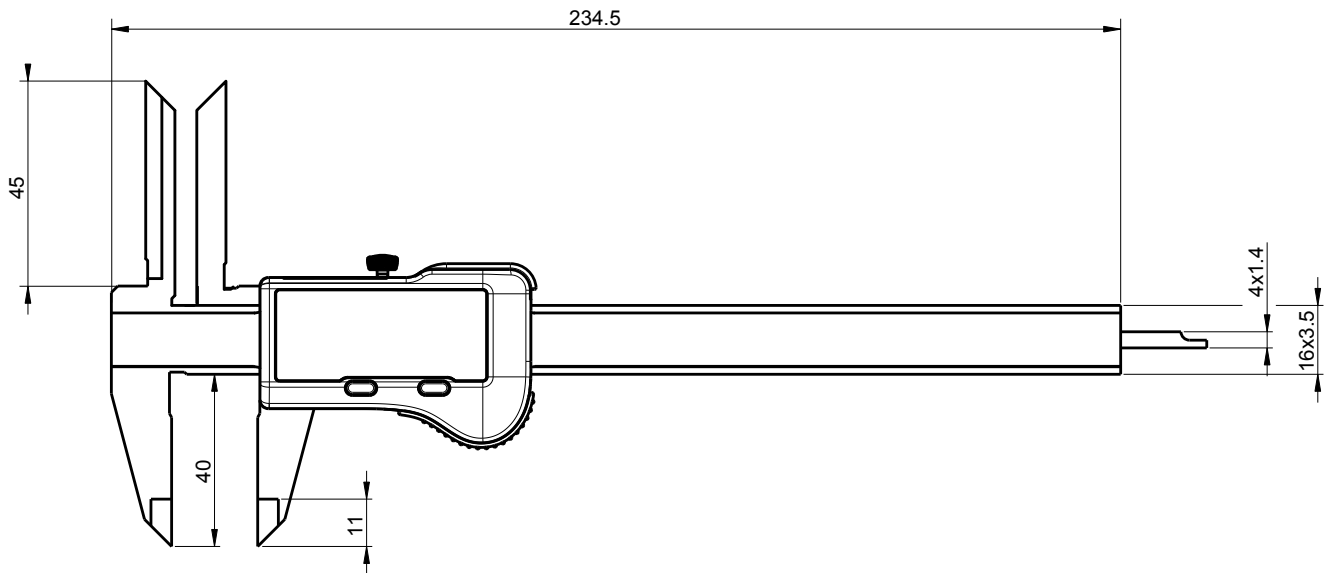
Special caliper

S_Cal EVO BT DM

DIMENSIONAL DRAWING

DEEP MEASUREMENT

A



TECHNICAL SPECIFICATIONS

		810.1603
Measuring range	mm	150
Max. Error G	µm	20 ¹⁾
Depth rod	mm	4 x 1.4
Protection rating according to IEC 60529		IP67
Connection		Bluetooth® wireless technology*
Functions		Zero setting, Preset (max 999.99), mm/inch, Hold, Data
Smart Inductive Sensor		●

¹⁾ > 100 mm : 30 µm / DIN 862

* see cables chapter

*** Up to 8 instruments connected per dongle #981.7100**
More informations on How to use Bluetooth® leaflet SYL_1401_EN_BT

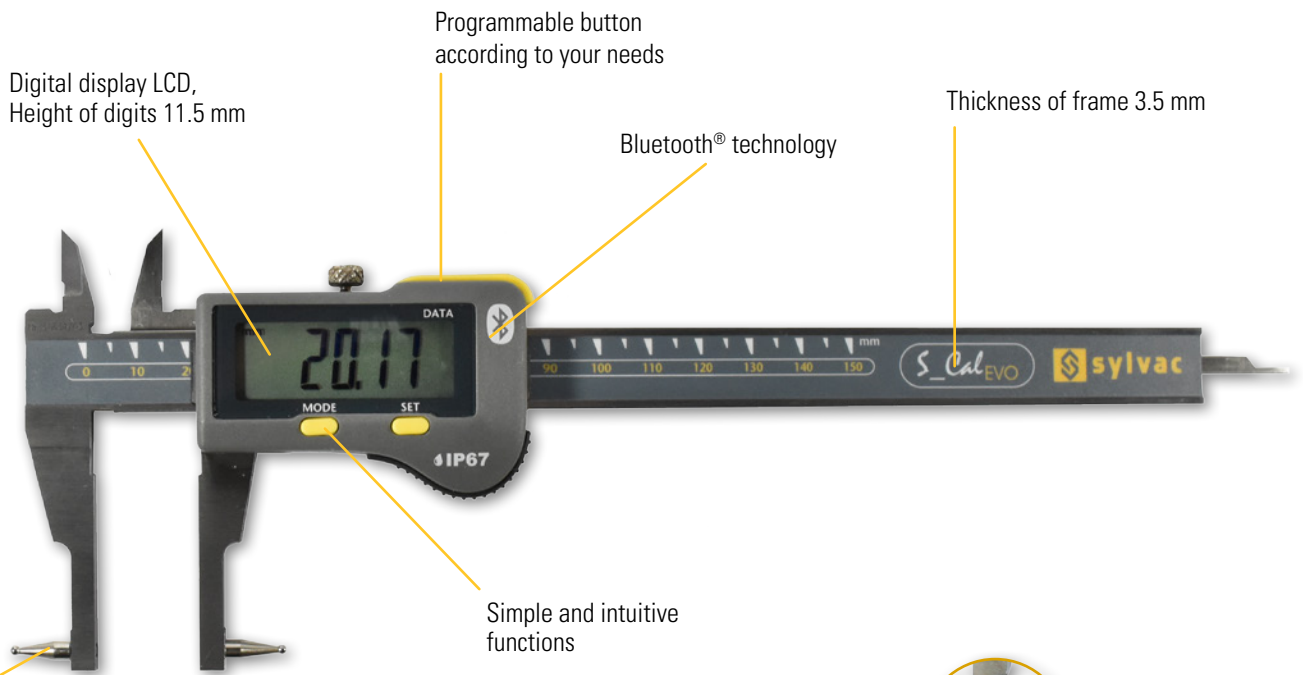
Special caliper

S_Cal EVO BT PJ

DESCRIPTION

POINTS JAWS

- **Integrated Bluetooth® technology**
- Interchangeable round polished anvils for measuring internal grooves
- Programmable button according to your needs
- Water protected for heavy-duty work with coolants and lubricants, protection rating IP67 according to IEC 60529,
- Automatic wake-up by moving the electronic on his frame. (Absolute System S.I.S)
- Sleeping mode after 20 min. of no use. (Absolute System S.I.S)
- Position memorized in sleeping mode, **Absolute System S.I.S***
- Maximum speed of displacement : 2.5 m/sec
- Mechanical frame in stainless steel, hardened and grinded
- Great comfort of use thanks to its ergonomic frame



Round-tipped anvils for grooves and internal seatings



M2.5

SIS Smart Inductive System

WATER RESISTANT

IP67

Interchangeable anvils

* SIS description on page 5

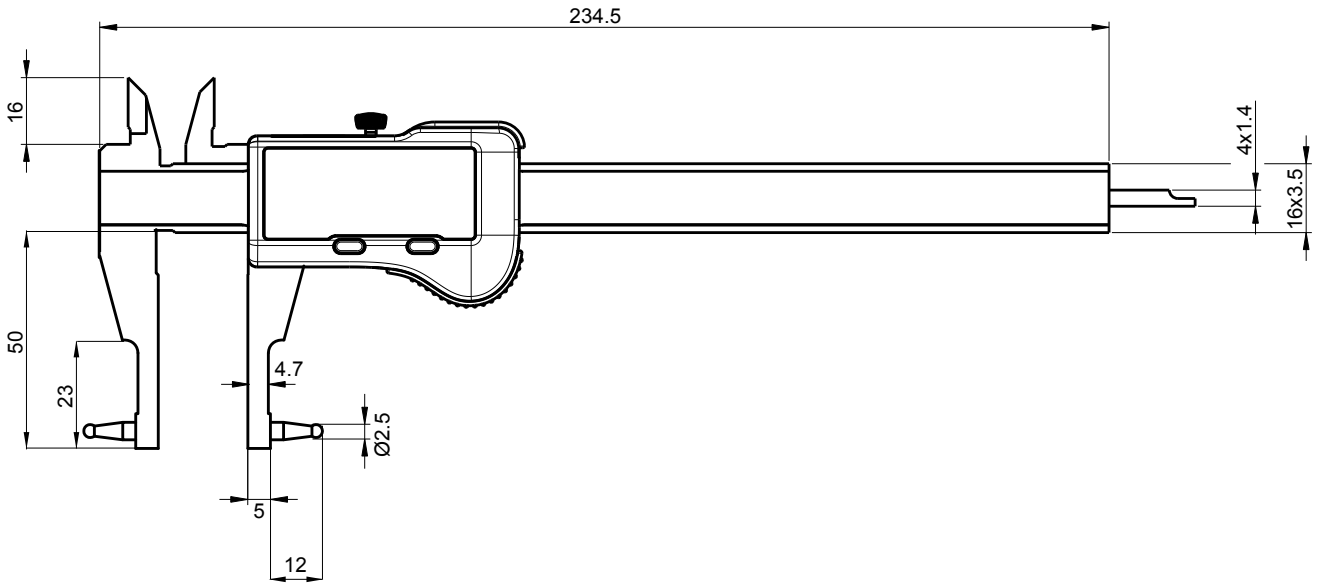
Special caliper

S_Cal EVO BT PJ

DIMENSIONAL DRAWING

POINTS JAWS

A



TECHNICAL SPECIFICATIONS

		810.1601
Measuring range	mm	150
Max. Error G	µm	20 ¹⁾
Depth rod	mm	4 x 1.4
Protection rating according to IEC 60529		IP67
Connection		Bluetooth® wireless technology*
Functions		Zero setting, Preset (max 999.99), mm/inch, Hold, Data
Smart Inductive Sensor		●

¹⁾ > 100 mm : 30 µm / DIN 862

* see cables chapter

*** Up to 8 instruments connected per dongle #981.7100**
 More informations on How to use Bluetooth® leaflet SYL_1401_EN_BT

Caliper mid size

S_Cal EVO Form E

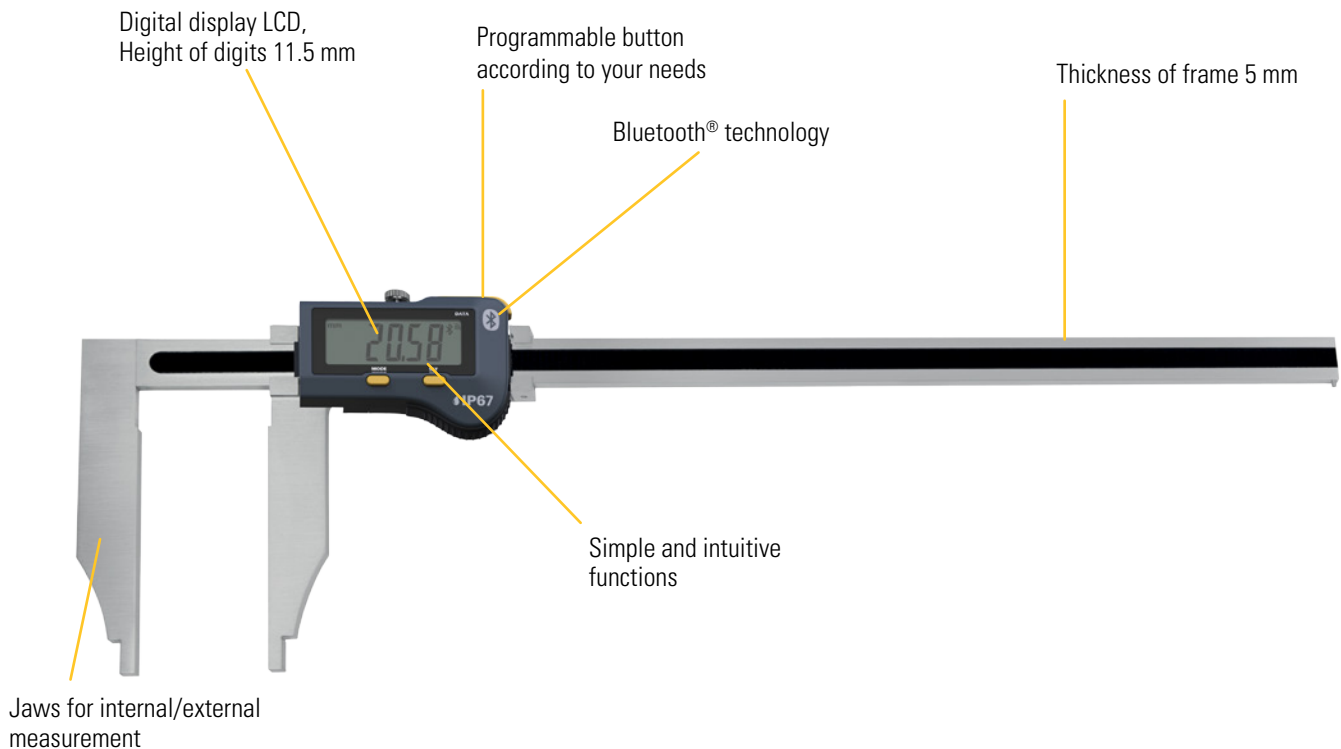
A

DESCRIPTION

MID SIZE CALIPER R5

- **Integrated Bluetooth® technology**

- Mid size caliper r5 for internal/external measurement
- Programmable button according to your needs
- Water protected for heavy-duty work with coolants and lubricants, protection rating IP67 according to IEC 60529,
- Automatic wake-up by moving the electronic on his frame. (Absolute System S.I.S)
- Sleeping mode after 20 min. of no use. (Absolute System S.I.S)
- Position memorized in sleeping mode, **Absolute System S.I.S***
- Maximum speed of displacement : 2.5 m/sec
- Mechanical frame in stainless steel, hardened and grinded
- Great comfort of use thanks to its ergonomic frame



SIS Smart Inductive System

Mid size caliper

WATER RESISTANT

IP67

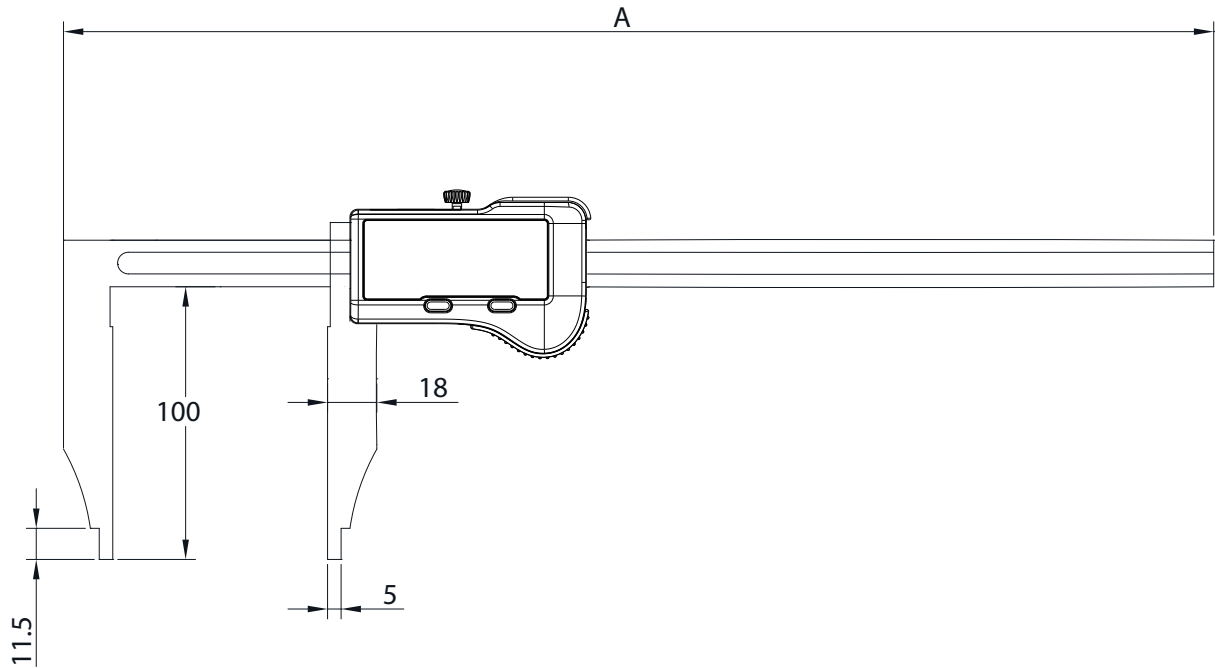
* SIS description on page 5

Caliper mid size

S_Cal EVO Form E

DIMENSIONAL DRAWING

MID SIZE CALIPER R5



TECHNICAL SPECIFICATIONS

		810.1546
Measuring range	mm	300
Accuracy	mm	0.03
Resolution	mm	0.01
A	mm	495
Bar section	mm	17x5
Protection rating according to IEC 60529		IP67
Connection		Bluetooth® wireless technology*
Functions		Zero setting, Preset (max 999.99), mm/inch, Hold, Data
Smart Inductive Sensor		●

* see cables chapter

*** Up to 8 instruments connected per dongle #981.7100**
 More informations on How to use Bluetooth® leaflet SYL_1401_EN_BT

Caliper mid size

S_Cal EVO Form B

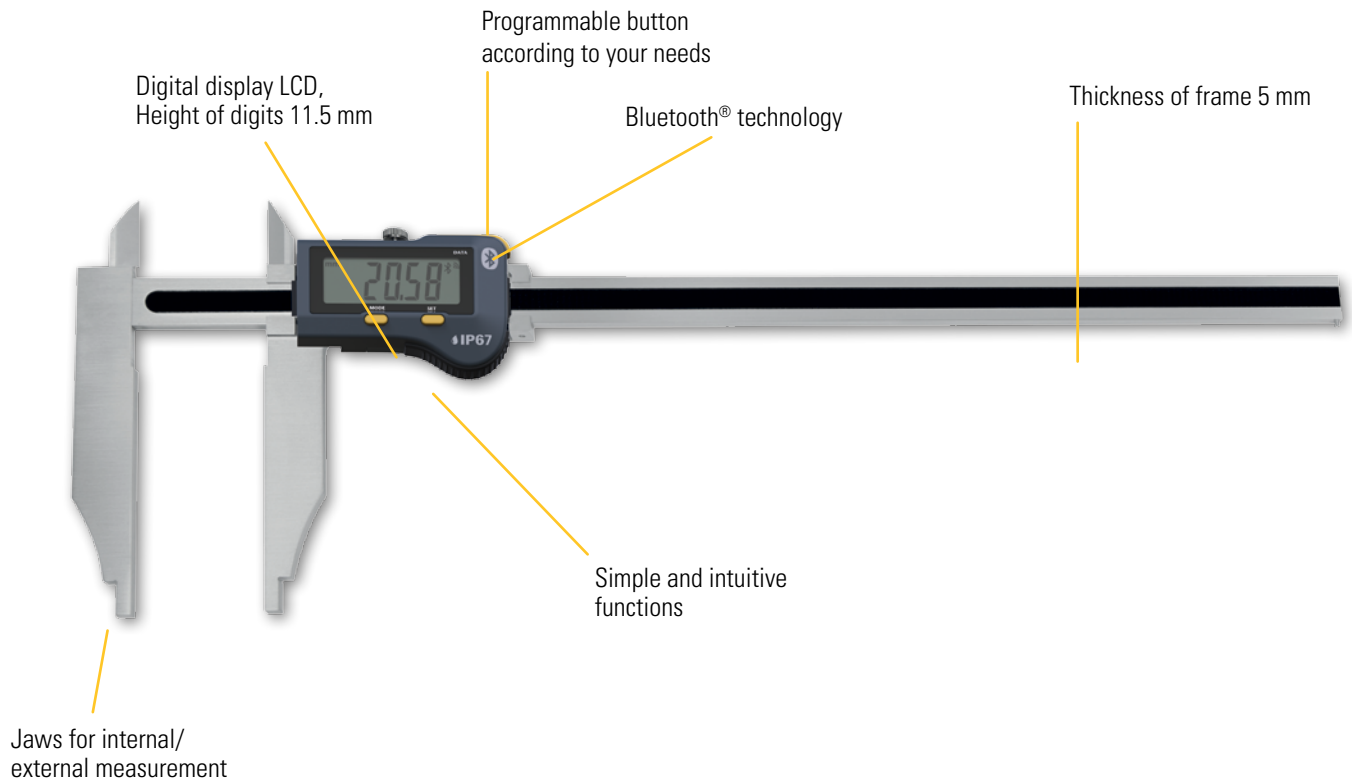
A

DESCRIPTION

MID SIZE CALIPER R5 WITH UPPER JAWS

- **Integrated Bluetooth® technology**

- Mid size caliper r5 for internal/external measurement
- Programmable button according to your needs
- Water protected for heavy-duty work with coolants and lubricants, protection rating IP67 according to IEC 60529,
- Automatic wake-up by moving the electronic on his frame. (Absolute System S.I.S)
- Sleeping mode after 20 min. of no use. (Absolute System S.I.S)
- Position memorized in sleeping mode, **Absolute System S.I.S***
- Maximum speed of displacement : 2.5 m/sec
- Mechanical frame in stainless steel, hardened and grinded
- Great comfort of use thanks to its ergonomic frame



SIS Smart Inductive System

Mid size caliper with upper jaws

WATER RESISTANT

IP67

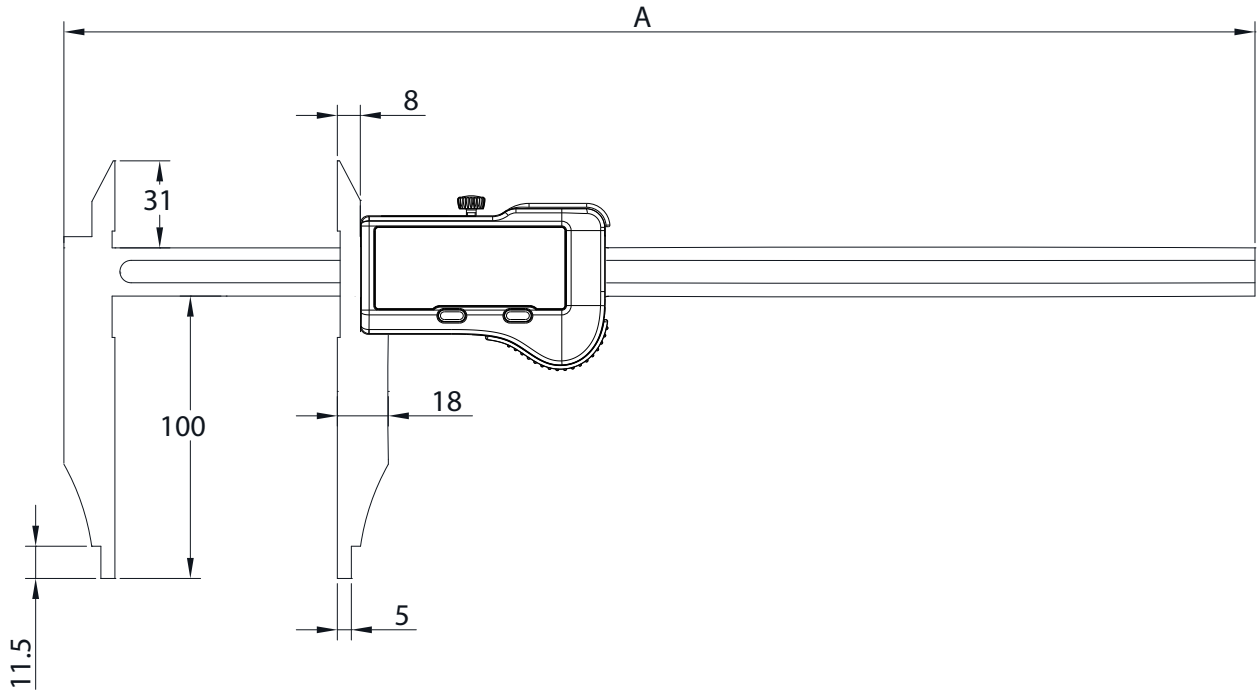
* SIS description on page 5

Caliper mid size

S_Cal EVO Form B

DIMENSIONAL DRAWING

MID SIZE CALIPER R5 WITH UPPER JAWS



TECHNICAL SPECIFICATIONS

		810.1556	810.1558
Measuring range	mm	300	500
Accuracy	mm	0.03	
Resolution	mm	0.01	
A	mm	495	595
Bar section	mm	17x5	
Protection rating according to IEC 60529		IP67	
Connection		Bluetooth® wireless technology*	
Functions		Zero setting, Preset (max 999.99), mm/inch, Hold, Data	
Smart Inductive Sensor		●	

* see cables chapter

*** Up to 8 instruments connected per dongle #981.7100**
 More informations on How to use Bluetooth® leaflet SYL_1401_EN_BT

Depth gauge

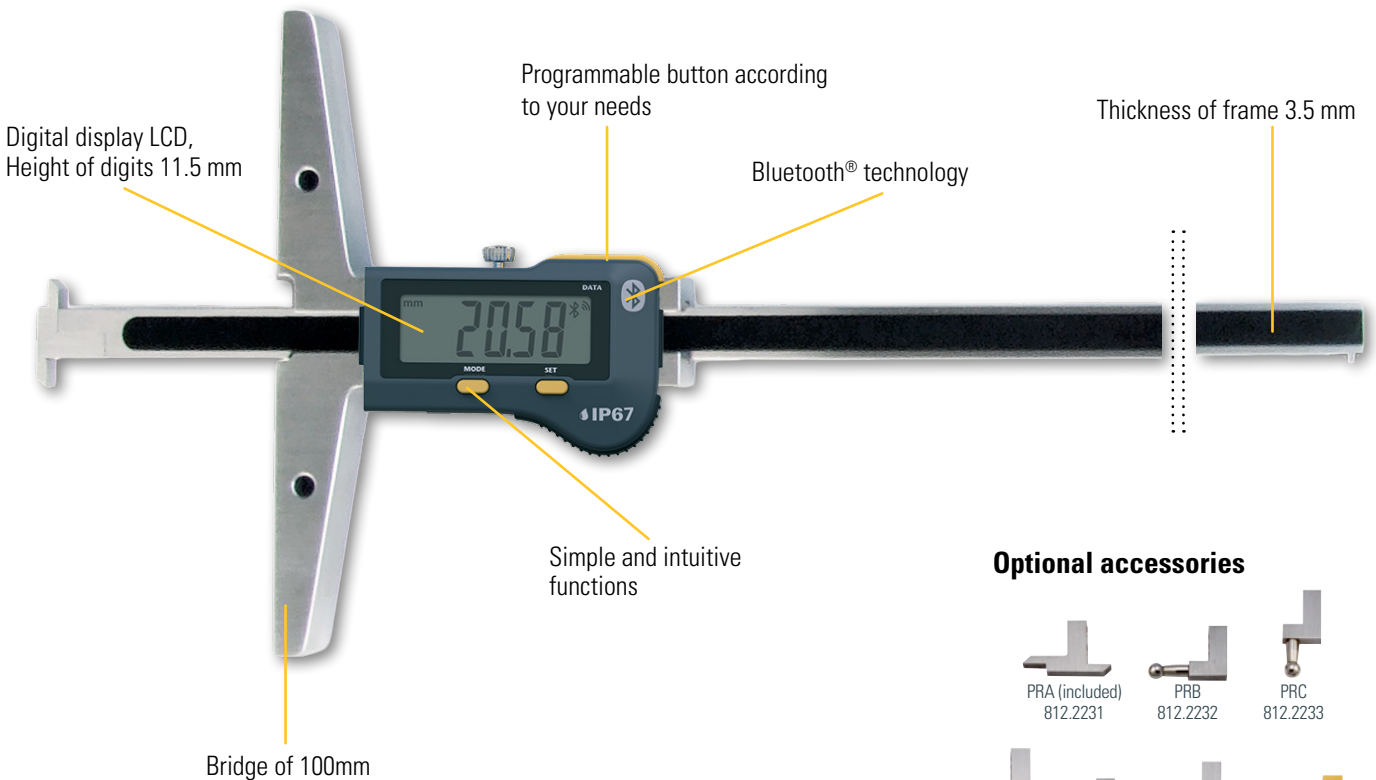
S_Depth EVO BTTJ

DESCRIPTION

TWO FIXED MEASURING JAWS

- **Integrated Bluetooth® technology**

- Special depth gauge with bridge 100mm and clamping screw
- Programmable button according to your needs
- Water protected for heavy-duty work with coolants and lubricants, protection rating IP67 according to IEC 60529,
- Automatic wake-up by moving the electronic on his frame. (Absolute System S.I.S)
- Sleeping mode after 20 min. of no use. (Absolute System S.I.S)
- Position memorized in sleeping mode, **Absolute System S.I.S***
- Maximum speed of displacement : 2.5 m/sec
- Mechanical frame in stainless steel, hardened and grinded



Optional accessories



SIS Smart Inductive System

WATER RESISTANT

IP67

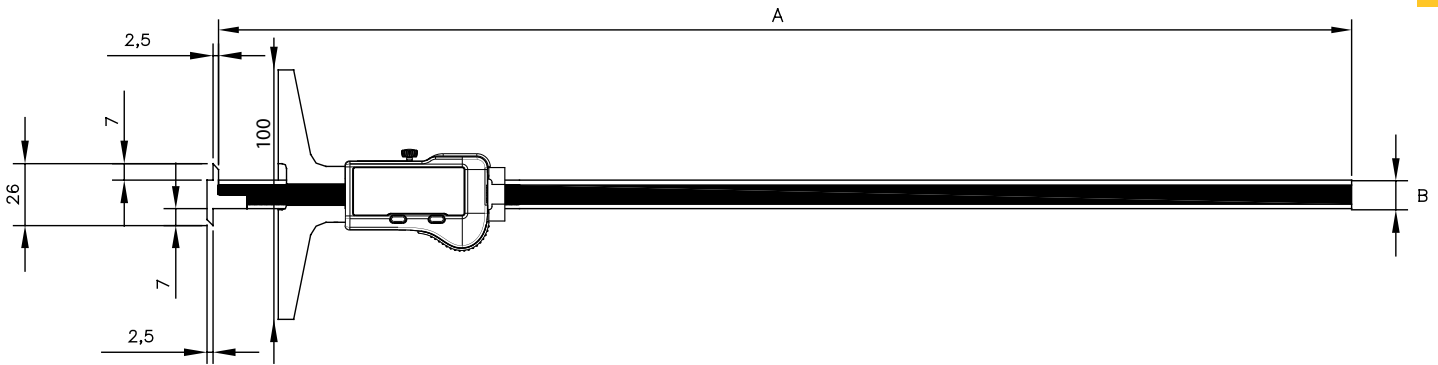
Interchangeable anvils

Depth gauge

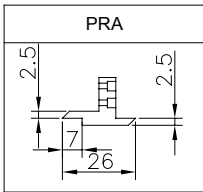
S_Depth EVO BTTJ

DIMENSIONAL DRAWING

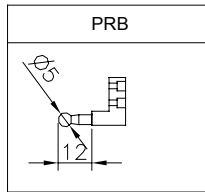
TWO FIXED MEASURING JAWS



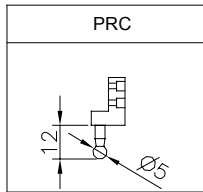
812.2231/812.2237



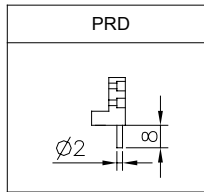
812.2232



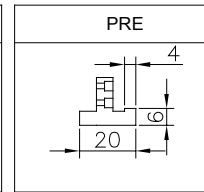
812.2233



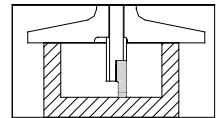
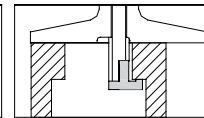
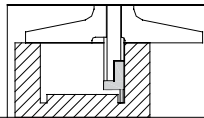
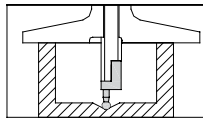
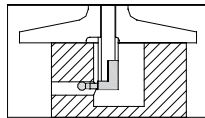
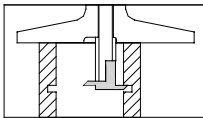
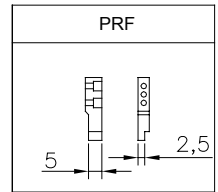
812.2234



812.2235



812.2236



TECHNICAL SPECIFICATIONS

		812.1601	812.1603	812.1605
Measuring range	mm	200	300	500
Max. Error	µm	30	30	50
Resolution	mm	0.01		
A	mm	300	400	600
B	mm	16x3.5		
Connexion		Bluetooth® wireless technology*		
Functions		Zero setting, Preset (max 999.99), mm/inch, Hold, Data		
Smart Inductive Sensor		●		

* see cables chapter

*** Up to 8 instruments connected per dongle #981.7100**
 More informations on How to use Bluetooth® leaflet SYL_1401_EN_BT

Depth gauge

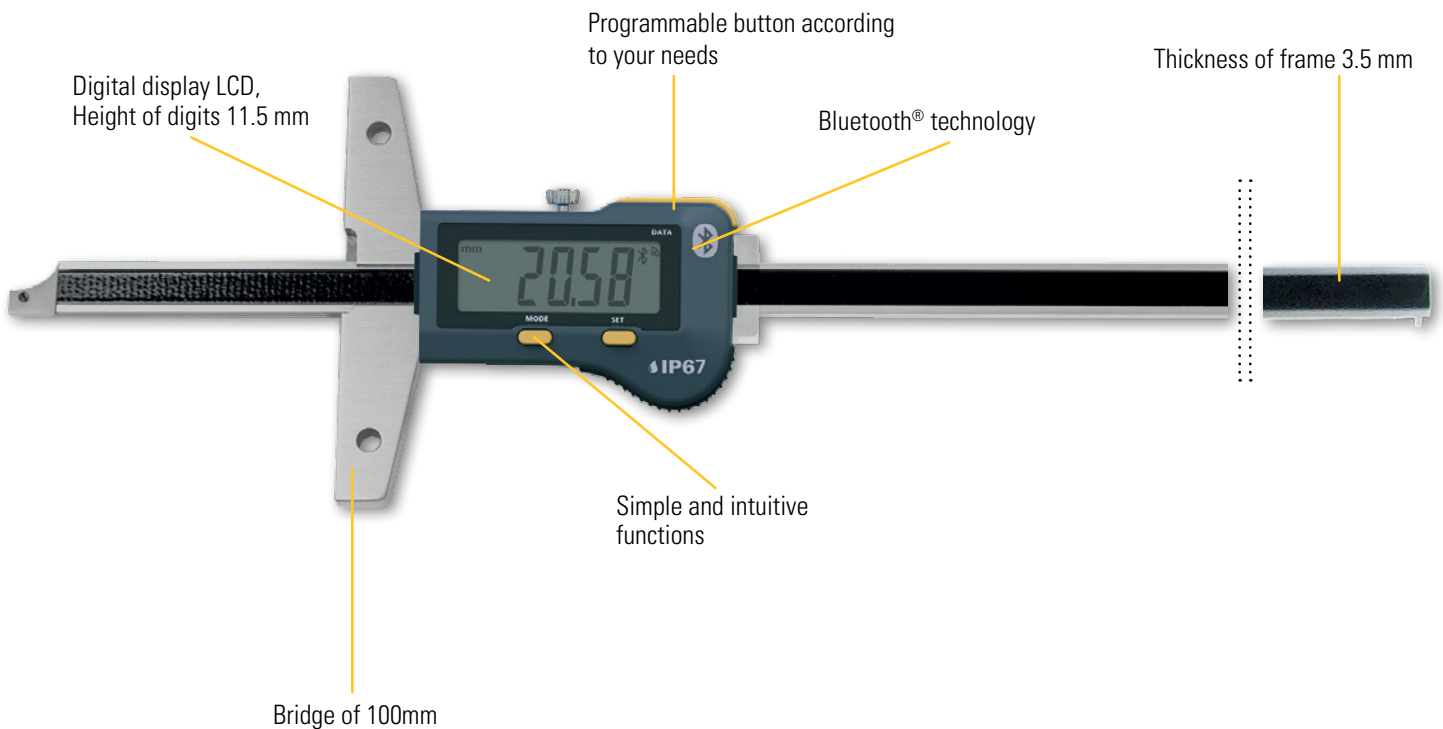
S_Depth EVO BT SF

DESCRIPTION

SHORTCUT MEASURING FACE

- **Integrated Bluetooth® technology**

- Special depth gauge with bridge 100mm and clamping screw
- Programmable button according to your needs
- Water protected for heavy-duty work with coolants and lubricants, protection rating IP67 according to IEC 60529,
- Automatic wake-up by moving the electronic on his frame. (Absolute System S.I.S)
- Sleeping mode after 20 min. of no use. (Absolute System S.I.S)
- Position memorized in sleeping mode, **Absolute System S.I.S***
- Maximum speed of displacement : 2.5 m/sec
- Mechanical frame in stainless steel, hardened and grinded



SIS Smart Inductive System



IP67

Bridge of 100mm with clamping screw

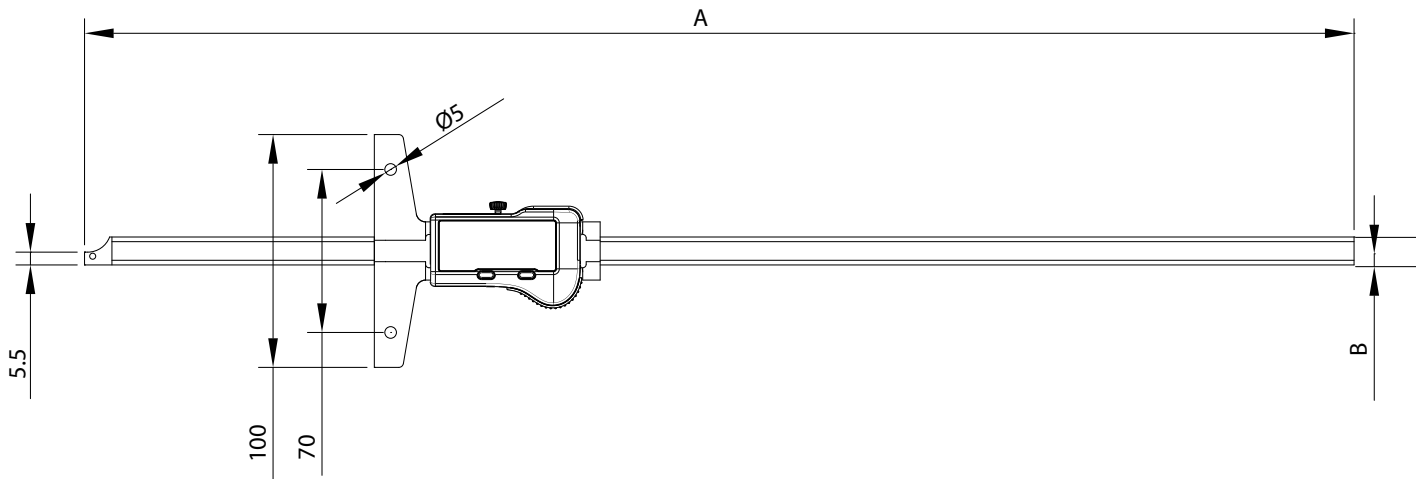
Depth gauge

S_Depth EVO BT SF

DIMENSIONAL DRAWING

SHORTCUT MEASURING FACE

A



TECHNICAL SPECIFICATIONS

		812.1611	812.1613	812.1615
Measuring range	mm	200	300	500
Max. Error	µm	30	30	50
Resolution	mm	0.01		
A	mm	300	400	600
B	mm	16x3.5		
Connexion		Bluetooth® wireless technology*		
Functions		Zero setting, Preset (max 999.99), mm/inch, Hold, Data		
Smart Inductive Sensor		●		

* see cables chapter

*** Up to 8 instruments connected per dongle #981.7100**
 More informations on How to use Bluetooth® leaflet SYL_1401_EN_BT

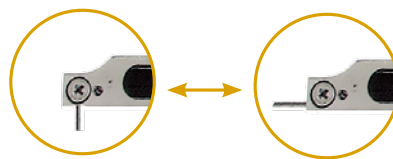
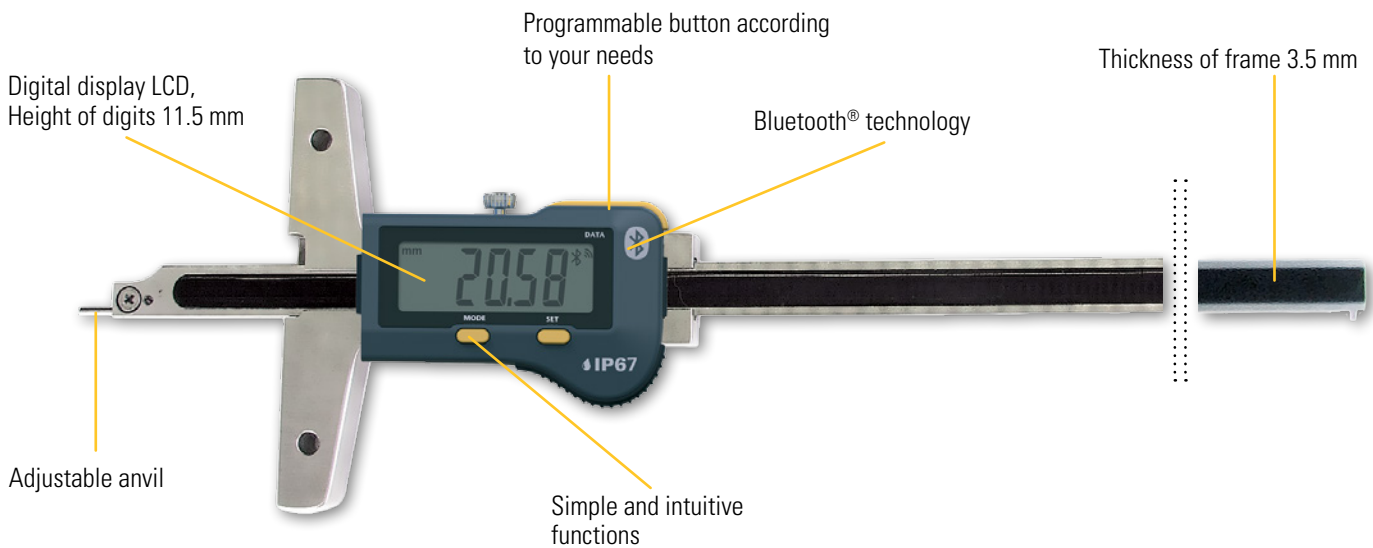
Depth gauge

S_Depth EVO BT RP

DESCRIPTION

ROTARY PIN

- **Integrated Bluetooth® technology**
- Special depth gauge double with adjustable anvil and clamping screw
- Programmable button according to your needs
- Water protected for heavy-duty work with coolants and lubricants, protection rating IP67 according to IEC 60529,
- Automatic wake-up by moving the electronic on his frame. (Absolute System S.I.S)
- Sleeping mode after 20 min. of no use. (Absolute System S.I.S)
- Position memorized in sleeping mode, **Absolute System S.I.S***
- Maximum speed of displacement : 2.5 m/sec
- Mechanical frame in stainless steel, hardened and grinded



Adjustable anvil !

SIS Smart Inductive System

WATER RESISTANT

IP67

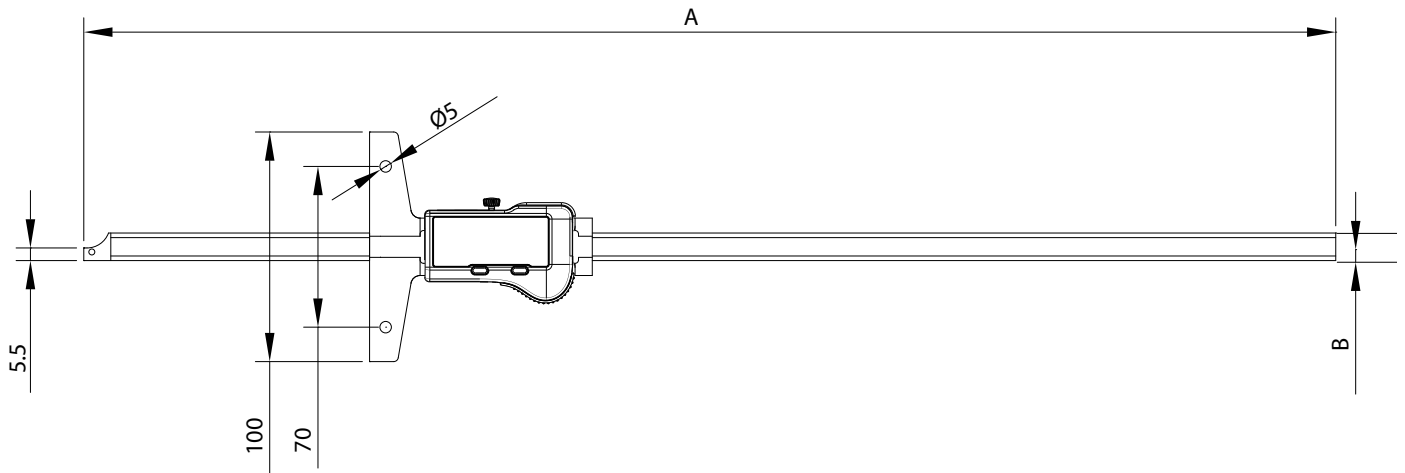
Depth gauge

S_Depth EVO BT RP

DIMENSIONAL DRAWING

ROTARY PIN

A



TECHNICAL SPECIFICATIONS

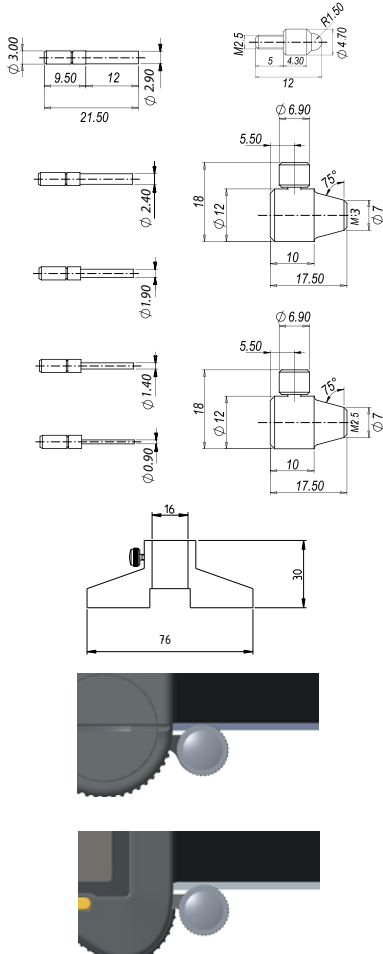
		812.1621	812.1623	812.1625
Measuring range	mm	200	300	500
Max. Error	µm	30	30	50
Resolution	mm	0.01		
A	mm	300	400	600
B	mm	16x3.5		
Connexion		Bluetooth® wireless technology*		
Functions		Zero setting, Preset (max 999.99), mm/inch, Hold, Data		
Smart Inductive Sensor		●		

* see cables chapter

*** Up to 8 instruments connected per dongle #981.7100**
 More informations on How to use Bluetooth® leaflet SYL_1401_EN_BT

S_Cal / S_Depth

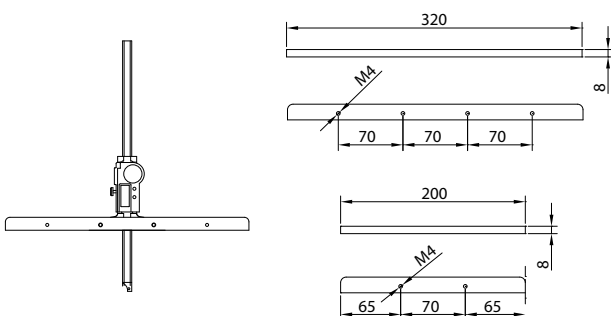
ACCESSORIES FOR CALIPERS



		S_Cal PRO S_Cal PRO µm	S_Cal EVO	S_Cal EVO BT	S_Cal EVO µm
910.2207	Accessory kit for S_Cal	●	●	●	●
910.2205	Base for Depth Measurement	●	●	●	●
910.2201	Thumb wheel	●			
810.2203	Thumb wheel		●	●	●

See also chapter cables.

ACCESSORIES FOR SPECIAL DEPTH CALIPER (TJ / SF / RP)



		Length	Thickness
812.2240	Additional base	320	8
812.2241	Additional base	200	8

S_Cal / S_Depth

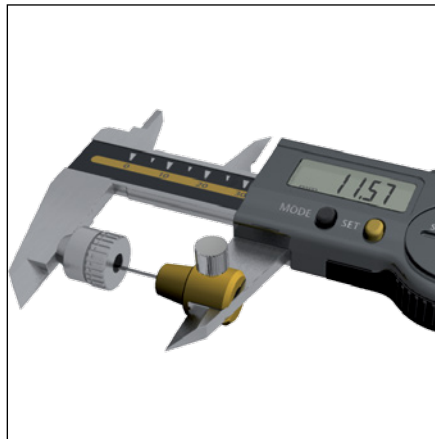
BASIC INSTRUMENT

- Instrument according to technical specifications
- Lithium battery CR2032 included
- Instruction manual
- Calibration certificate (S_Cal PRO et EVO μm)

APPLICATIONS



Depth measurement with S_Cal PRO and base 910.2205.



S_Cal with kit 910.2207
Depth measurement of small internal \emptyset



S_Cal PRO μm
Comparison measurement



Part measurement with S_Cal μm



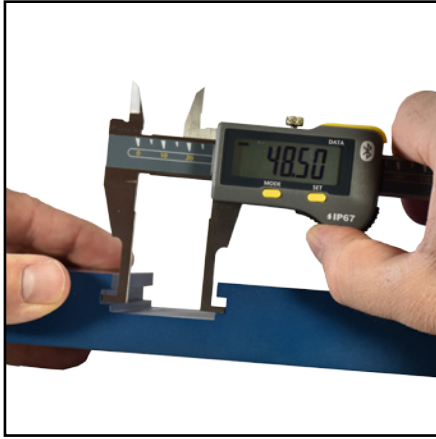
Part measurement with sending data



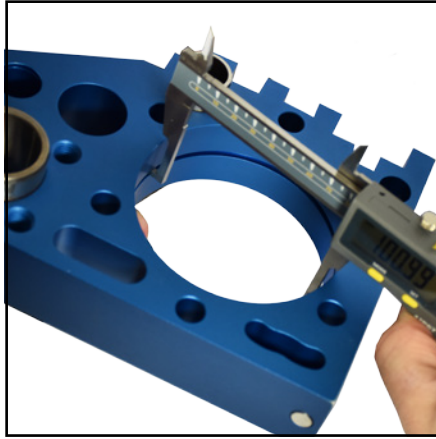
Depth measurement with S_Cal EVO μm

Special S_Cal & S_Depth

APPLICATIONS



Internal groove measurement with S_Cal EVO BT IG



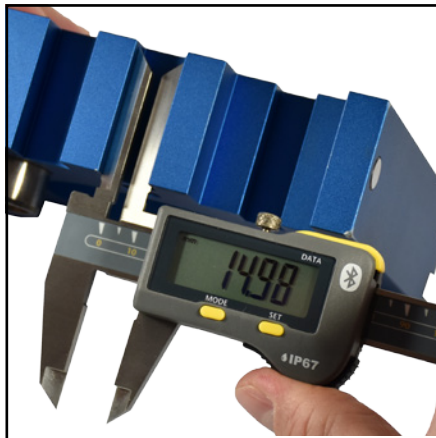
Internal groove measurement with S_Cal EVO BT IG



Internal measurement with S_Cal EVO BT PJ



Deep measurement with S_Cal EVO BT DM



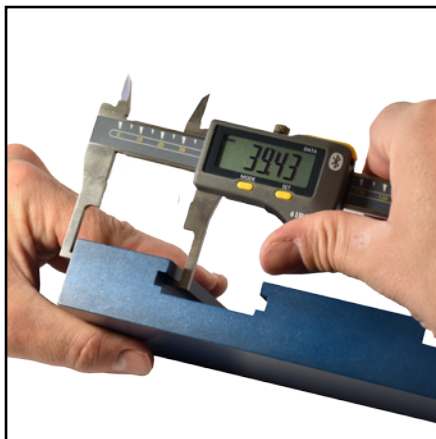
Deep measurement with S_Cal EVO BT DM



External groove measurement with S_Cal EVO BT EG



External groove measurement with S_Cal EVO BT EG



External groove measurement with S_Cal EVO BT EG



S_Depth EVO BT TJ communicating with Sylvac BT Smart App on touchpad

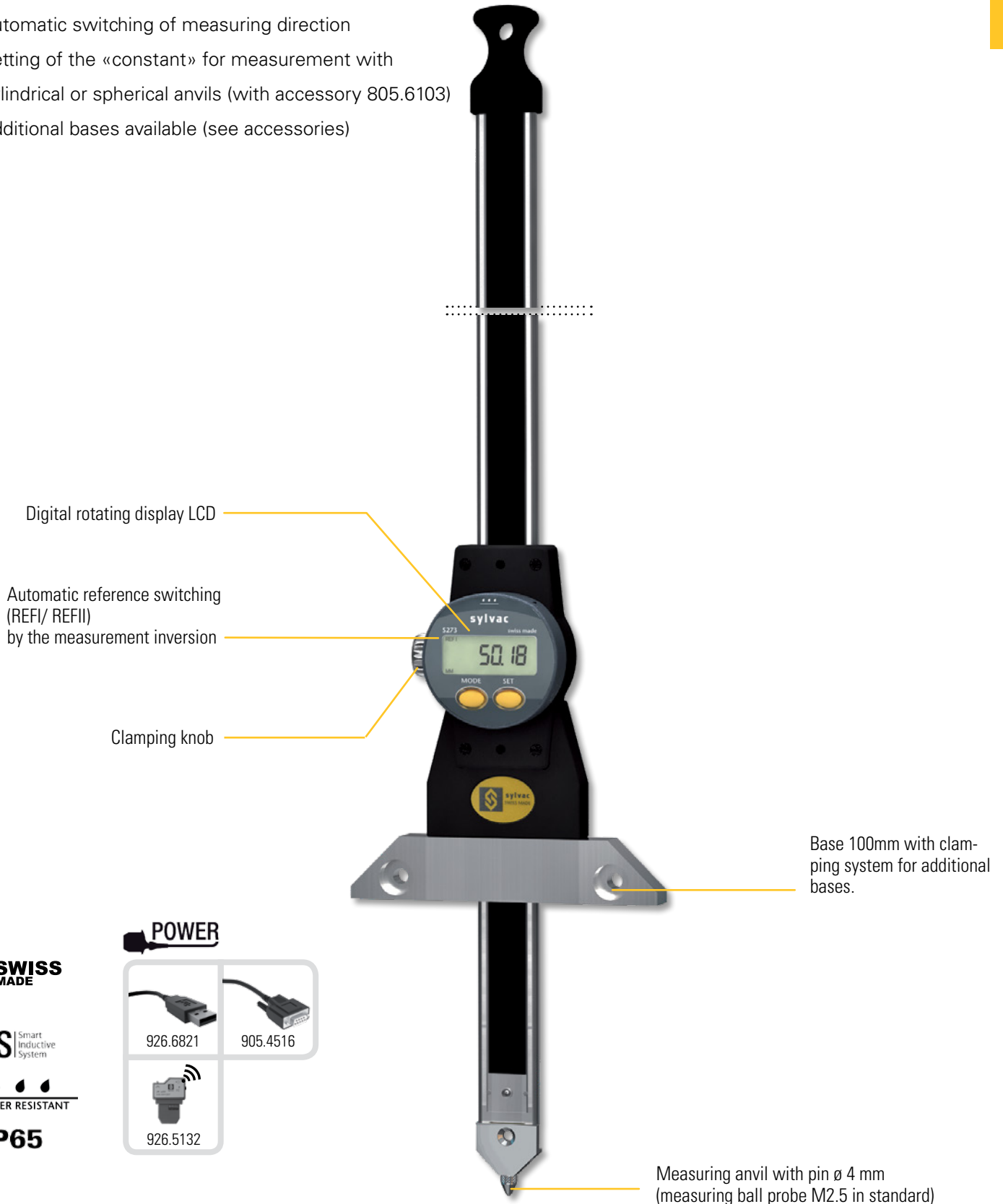
Depth gauge

S_Depth PRO

DESCRIPTION

- PRESET function
- Automatic switching of measuring direction
- Setting of the «constant» for measurement with cylindrical or spherical anvils (with accessory 805.6103)
- Additional bases available (see accessories)

A






SWISS MADE

SIS Smart Inductive System

WATER RESISTANT

IP65

POWER

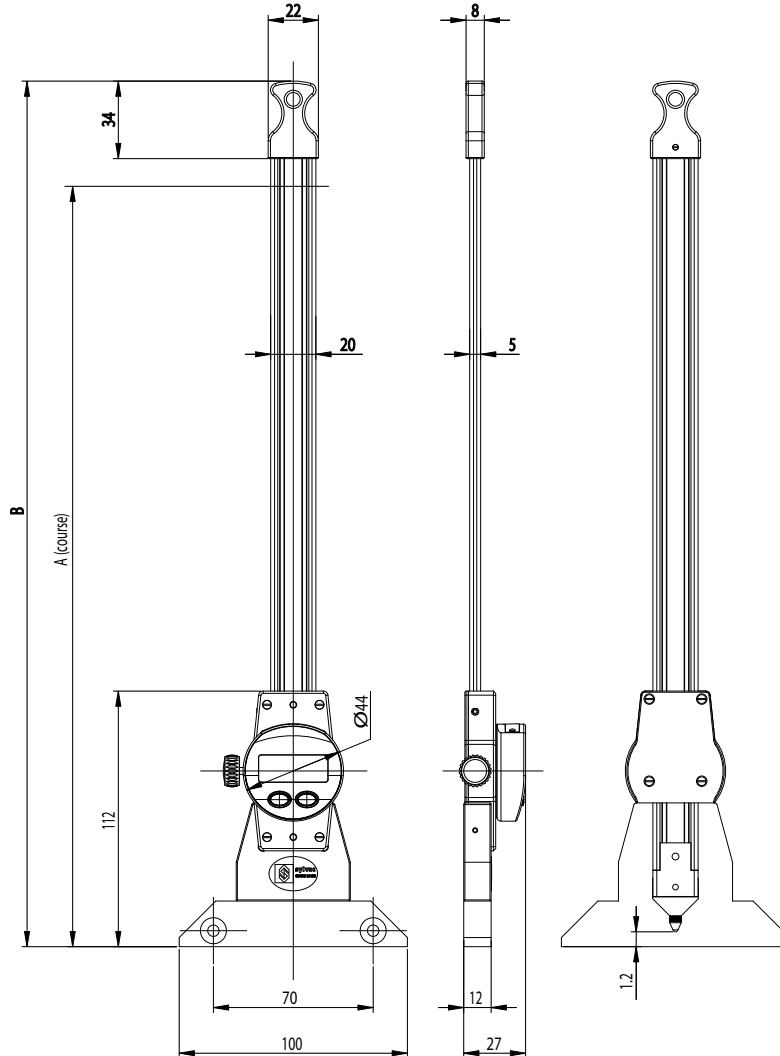
 926.6821	 905.4516
 926.5132	

Depth gauge

S_Depth PRO

A

DIMENSIONAL DRAWING



TECHNICAL SPECIFICATIONS

		805.6005	805.6006
Measuring range	mm	300	600
Max. Error	µm	30	40
Repeatability ¹⁾	µm	10	10
A	mm	422	625
B	mm	483	773
S_Connect : Power		USB / RS232 / Wireless ²⁾	
2 References		●	
PRESET function		●	

¹⁾ ± 1 digit

²⁾ see cables chapter

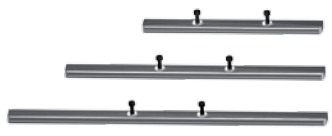

Depth gauge

S_Depth PRO

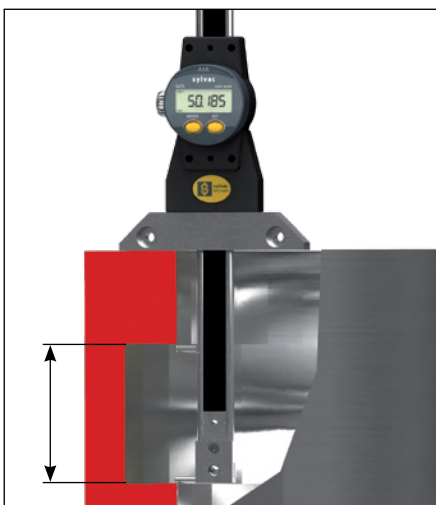
BASIC INSTRUMENT

- Instrument according to technical specifications
- Lithium battery CR2032 included
- Instruction manual

COMPATIBLE ACCESSORIES

		Length	Thickness	
	805.2180	Additionnal base	180 mm	8 mm
	805.2260	Additionnal base	260 mm	8 mm
	805.2320	Additionnal base	320 mm	8 mm
	805.6101	Ball probe M2.5 (standard)		
	805.6102	Anvils UP&DOWN		
	805.6103	Anvil with pin Ø4 mm		

APPLICATIONS



Measure of an internal groove (height) thanks to the constant.



Depth measurement



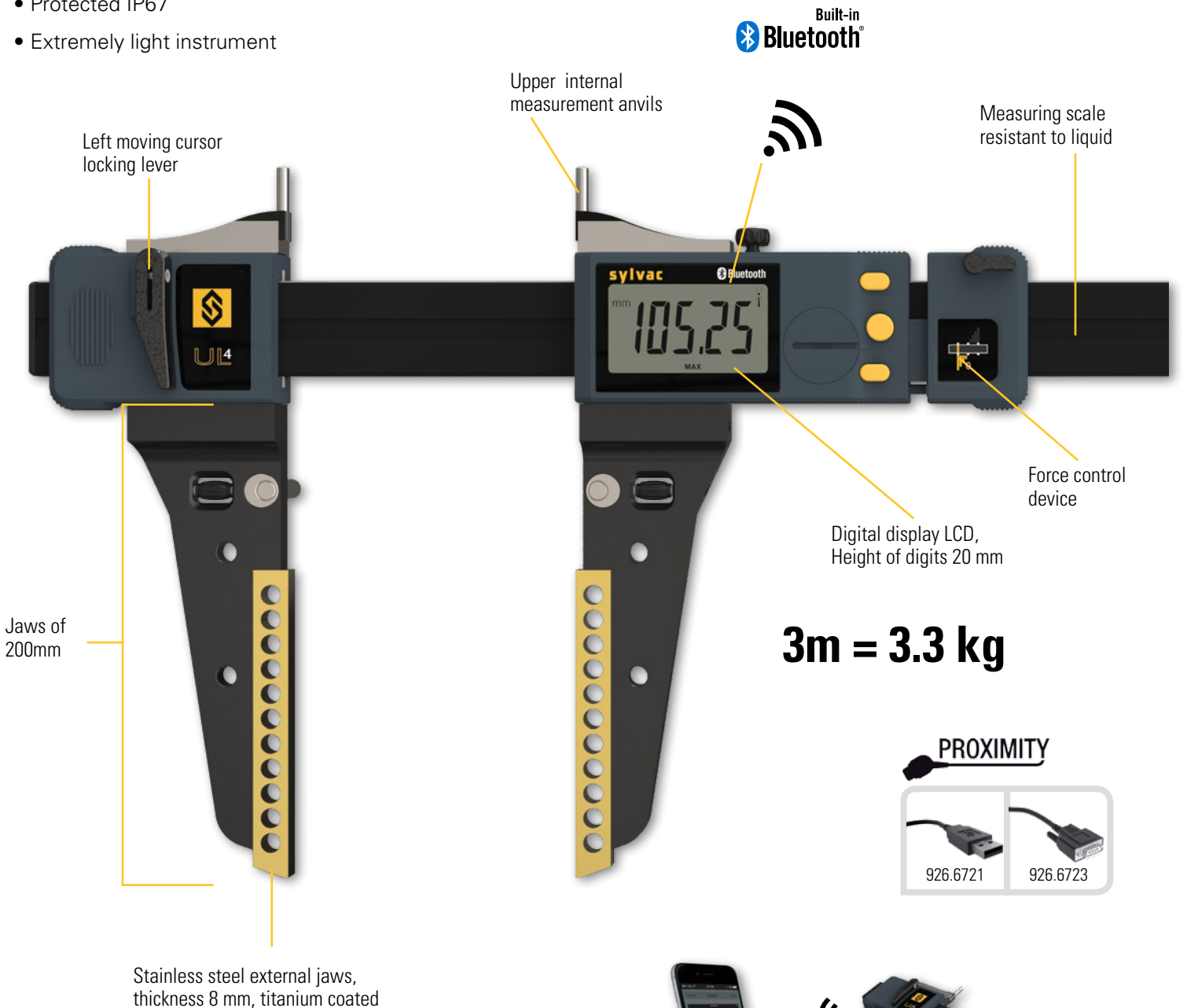
Depth measurement in a drilling with an additional base

Ultra light caliper

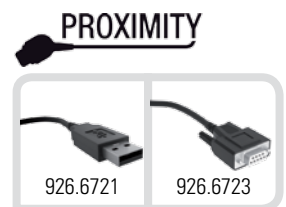
UL4

DESCRIPTION

- Ultra light caliper for external and internal measurements
- **Integrated Bluetooth® technology**
- New Series with extra large display
- Aluminium beam reinforced by four stainless steel rods
- Long jaws 200 mm coated with titanium
- New carbide upper internal tips
- Measuring force applied control
- Protected IP67
- Extremely light instrument



3m = 3.3 kg



IP67

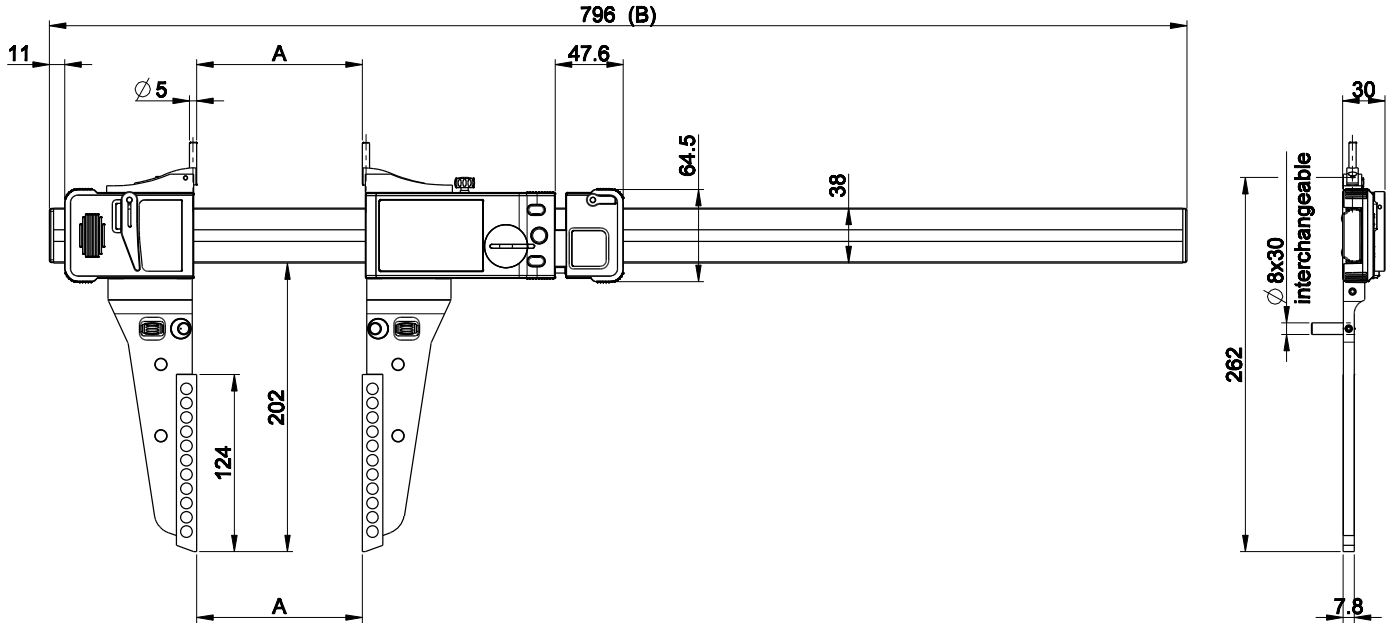
WATER RESISTANT

SWISS MADE

Ultra light caliper

UL4

DIMENSIONAL DRAWING



TECHNICAL SPECIFICATIONS

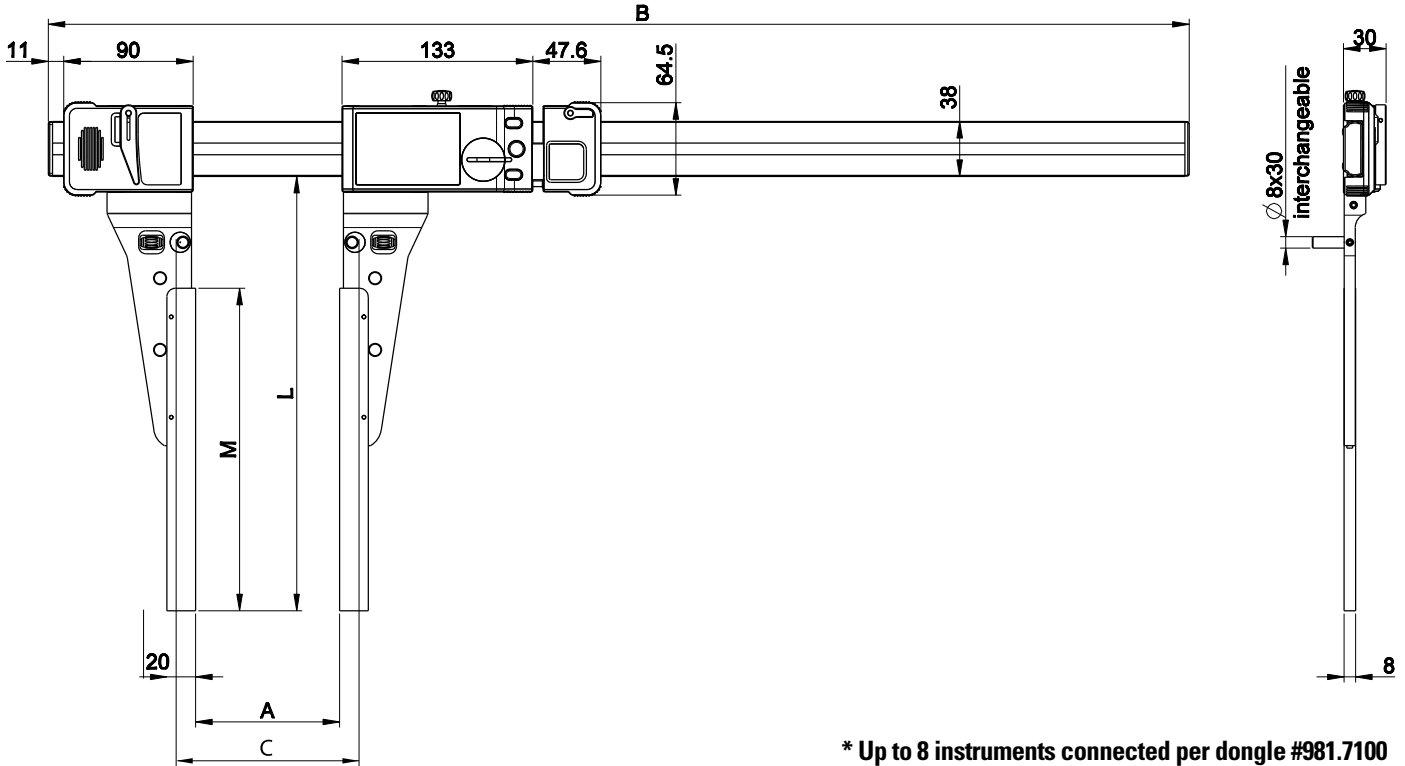
		811.1404	811.1406	811.1410	811.1415	811.1420	811.1425	811.1430
Measuring range	mm	400	600	1000	1500	2000	2500	3000
Max. Error	µm	30	40	50	90	120	150	200
Repeatability	µm	20			30			
Resolution	mm	0.01						
A	mm	0-478	0-683	0-1093	0-1608	0-2123	0-2638	0-3153
C	mm	27-505	27-710	27-1110	27-1635	27-2150	27-2665	27-3180
B	mm	796	1001	1411	1926	2441	2956	3471
Measuring Force	N	7.5 - 11.5 (±20%)						
Connections		Bluetooth® wireless technology* / Proxi.-RS232 , -USB						
IP67 Protection		●						
Preset max.		±9999.99 mm / ±399.9995 IN						
Weight	kg	1.5	1.6	1.9	2.3	2.6	2.9	3.3
Setting by PC		●						
2 references		●						
Min/Max function		●						
Tolerance limit indicators		●						

* Up to 8 instruments connected per dongle #981.7100
 More informations on How to use Bluetooth® leaflet SYL_1401_EN_BT

Ultra light caliper

UL4

SPECIAL EXECUTIONS | SPECIAL JAWS TYPE A



* Up to 8 instruments connected per dongle #981.7100
More informations on How to use Bluetooth® leaflet SYL_1401_EN_BT

TECHNICAL SPECIFICATIONS

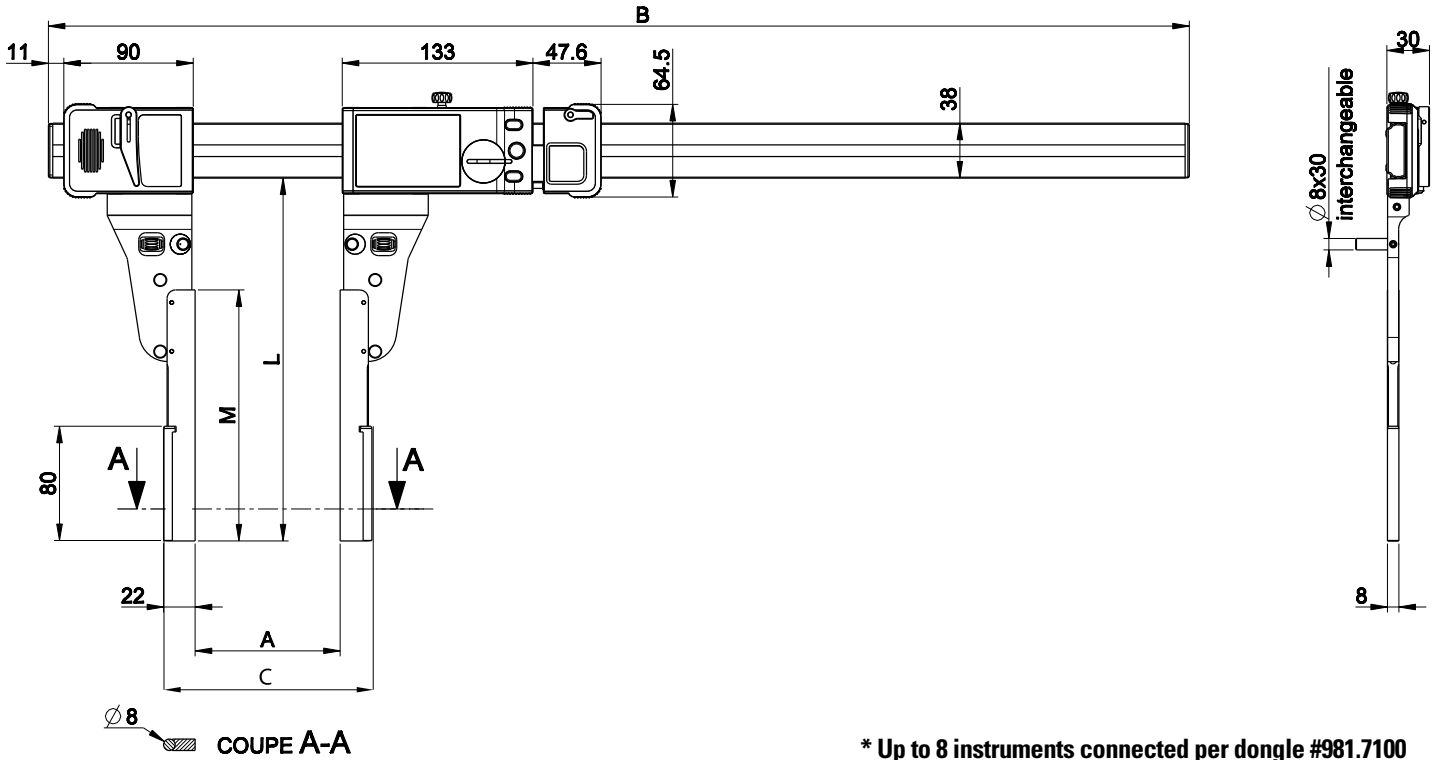
		811.2316.99	811.2317.99
Special jaws (pair)		Lenght L to specify with order (max 400 mm)	
L	mm	≤ 300	≤ 400
M	mm	L - 75	

		UL 400	UL 600	UL 1000	UL 1500	UL 2000	UL 2500	UL 3000
UL specification		Max. error. [µm] / Repeatability [µm]						
With Jaws 811.2316.99		40/20	50/20	70/20	130/30	180/40	220/40	320/40
With Jaws 811.2317.99		70/40	80/40	120/40	200/50	300/60	400/70	500/80
Measuring range	mm	400	600	1000	1500	2000	2500	3000
A	mm	0-478	0-683	0-1093	0-1608	0-2123	0-2638	0-3153
C	mm	27-505	27-710	27-1110	27-1635	27-2150	27-2665	27-3180
B	mm	796	1001	1411	1926	2441	2956	3471
Resolution	mm	0.01						

Ultra light caliper

UL4

SPECIAL EXECUTIONS | SPECIAL JAWS TYPE C



* Up to 8 instruments connected per dongle #981.7100
More informations on How to use Bluetooth® leaflet SYL_1401_EN_BT

TECHNICAL SPECIFICATIONS

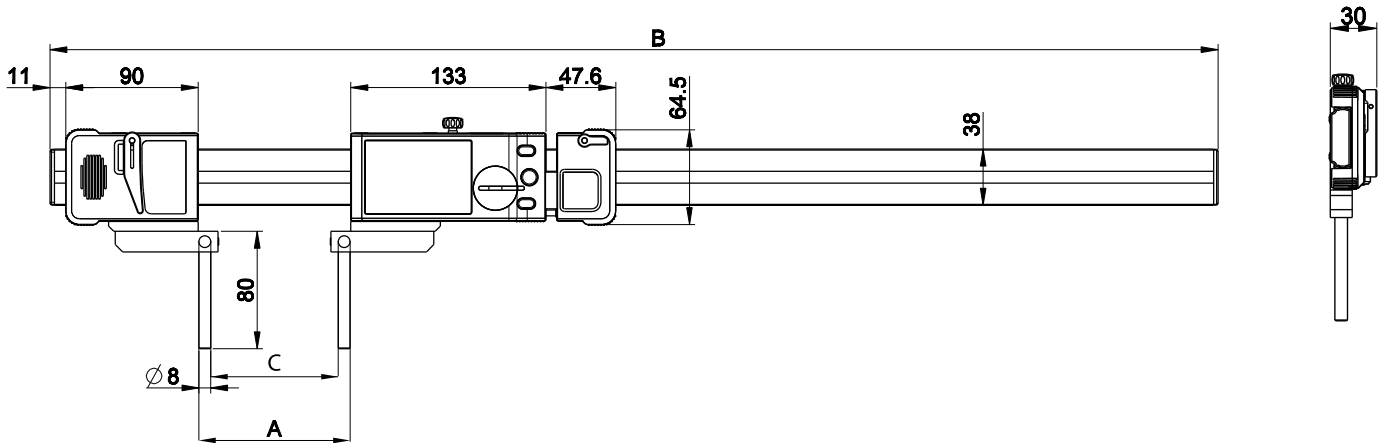
		811.2319.99
Special jaws (pair)		Lenght L to specify with order (max 300 mm)
L max	mm	300
M	mm	L - 75

		UL 400	UL 600	UL 1000	UL 1500	UL 2000	UL 2500	UL 3000
UL specification		Max. error. [µm] / Repeatability [µm]						
With Jaws ≤ 200	mm	40/20	50/20	70/30	120/30	170/30	210/30	300/40
With Jaws ≤ 300	mm	50/30	60/30	90/30	150/30	200/40	300/40	400/50
Measuring range	mm	400	600	1000	1500	2000	2500	3000
A	mm	0-478	0-683	0-1093	0-1608	0-2123	0-2638	0-3153
C	mm	44-522	44-727	44-1137	44-1652	44-2167	44-2682	44-3197
B	mm	796	1001	1411	1926	2441	2956	3471
Resolution	mm	0.01						

Ultra light caliper

UL H4

A DIMENSIONAL DRAWING



TECHNICAL SPECIFICATIONS

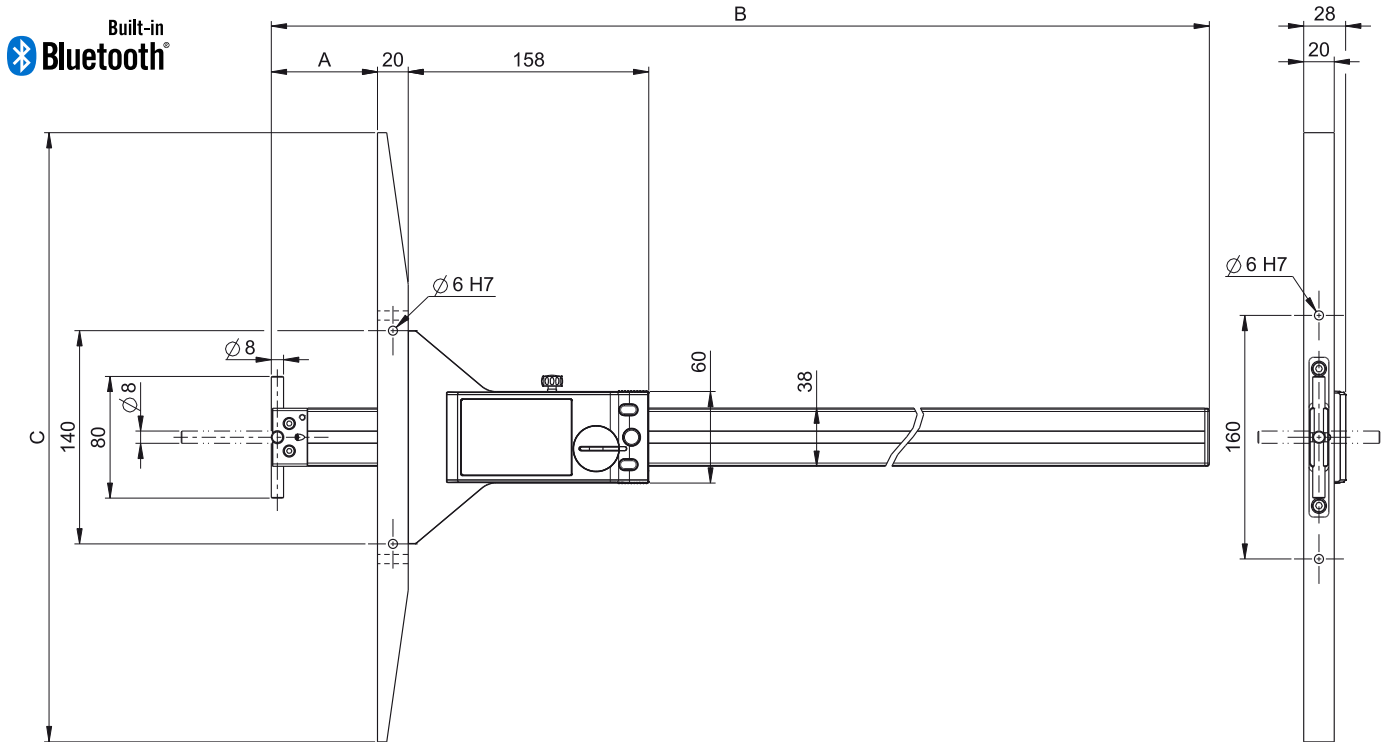
		811.8040	811.8060	811.8100	811.8150	811.8200	811.8250	811.8300
Measuring range	mm	400	600	1000	1500	2000	2500	3000
Max. Error	µm	30	40	50	90	120	150	200
Repeatability	µm	20			30			
Resolution	mm	0.01						
A	mm	26-480	26-685	26-1095	26-1610	26-2125	26-2640	26-3155
C	mm	10-464	10-669	10-1079	10-1594	10-2109	10-2624	10-3139
B	mm	796	1001	1411	1926	2441	2956	3471
Measuring Force	N	7.5 - 11.5 (±20%)						
Connections		Bluetooth® wireless technology* / Proxi.-RS232 , -USB						
IP67 Protection		●						
Preset max.		±9999.99 mm / ±399.9995 IN						
Weight	kg	1.1	1.2	1.5	1.9	2.2	2.5	2.9
Setting by PC		●						
2 references		●						
Min/Max function		●						
Tolerance limit indicators		●						

* Up to 8 instruments connected per dongle #981.7100
More informations on How to use Bluetooth® leaflet SYL_1401_EN_BT

Ultra light depth gauge

UL V4

DIMENSIONAL DRAWING



TECHNICAL SPECIFICATIONS

		811.6100	811.6150
Measuring range	mm	1000	1500
Max.Error	µm	100	130
Repeatability	µm	20	
Resolution	mm	0.01	
A	mm	0 - 1030	0 - 1545
C	mm	400	600
B	mm	1242	1757
Connections		Bluetooth® wireless technology* / Proxi.-RS232 , -USB	
IP67 Protection		●	
Preset max.		±9999.99 mm / ±399.9995 IN	
Weight	kg	2.2	3.16
Setting by PC		●	
2 references		●	
Min/Max function		●	
Tolerance limit indicators		●	

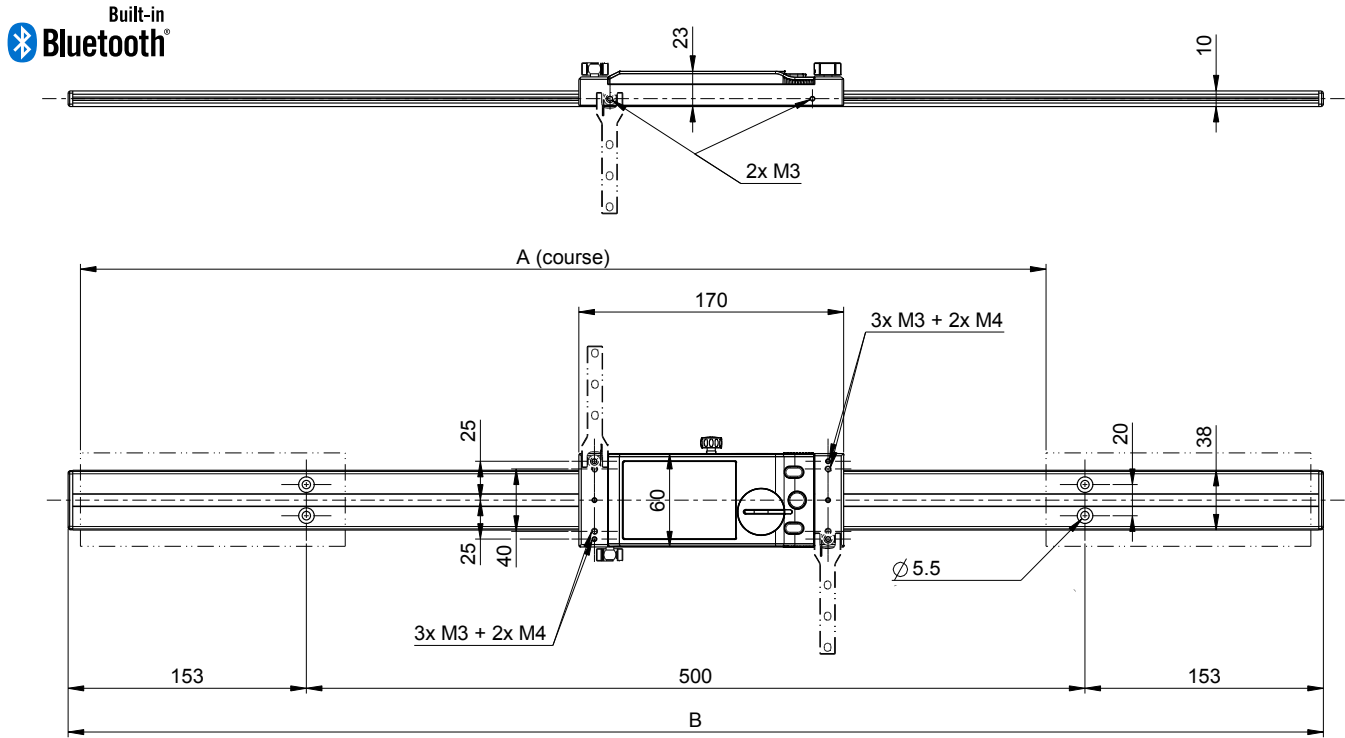
* Up to 8 instruments connected per dongle #981.7100
 More informations on How to use Bluetooth® leaflet SYL_1401_EN_BT

A

Ultra light digital scale

UL D4

A DIMENSIONAL DRAWING



TECHNICAL SPECIFICATIONS

		814.1510	814.1515	814.1520	814.1525	814.1530
Measuring range	mm	1000	1500	2000	2500	3000
Max. Error	µm	60	90	120	150	200
Repeatability	µm	20				
Resolution	mm	0.01				
A	mm	0 - 1120	0 - 1620	0 - 2120	0 - 2620	0 - 3120
B	mm	1306	1806	2306	2806	3306
Number range of raws		3	4	5	6	7
Connections		Bluetooth® wireless technology* / Proxi.-RS232 , -USB				
IP67 Protection		●				
Preset max.		±9999.99 mm / ±399.9995 IN				
Weight	kg	1.2	1.5	1.8	2.2	2.5
Setting by PC		●				
2 references		●				
Min/Max function		●				
Tolerance limit indicators		●				

* Up to 8 instruments connected per dongle #981.7100
More informations on How to use Bluetooth® leaflet SYL_1401_EN_BT

Ultra light caliper

UL4

BASIC INSTRUMENT

A



UL4 Standard

- Instrument according to technical specifications
- Lithium battery CR2477 included
- Calibration certificate for UL up to 3000mm
- Upper internal measurement anvil (811.2323 - 2pcs)
- Universal base 811.2301
- Instruction manual



UL4 Special Jaws Type A

- Instrument according to technical specifications
- Lithium battery CR2477 included
- Special long jaws Type A (811.2316.99 or 811.2317.99)
- Length of jaws to specify when order (max. 400mm)
- Instruction manual



UL4 Special Jaws Type C

- Instrument according to technical specifications
- Lithium battery CR2477 included
- Special long jaws Type C (811.2319.99)
- Length of jaws to specify when order (max. 300mm)
- Instruction manual

Ultra light caliper

A BASIC INSTRUMENT



ULH4

- Instrument according to technical specifications
- Lithium battery CR2477 included
- Calibration certificate for UL up to 3000mm
- Universal base 811.2301
- Anvil holder 811.2302
- Long cylindrical anvil Ø8x80mm (811.2324)
- Instruction manual



ULV4

- Instrument according to technical specifications
- Lithium battery CR2477 included
- Long cylindrical anvil Ø8x80mm (811.2324)
- Bridge 400mm or 600mm
- Instruction manual



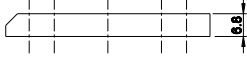
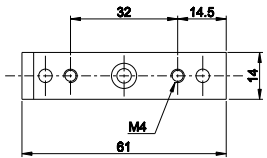
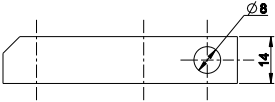
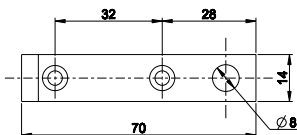
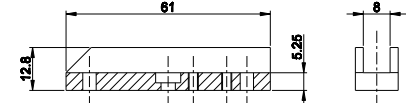
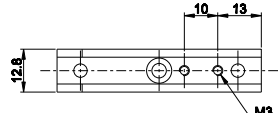
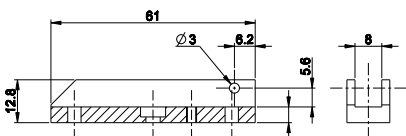
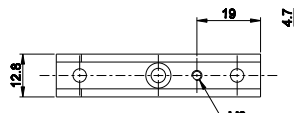
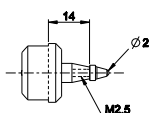
ULD4

- Instrument according to technical specifications
- Lithium battery CR2477 included
- Driving shaft
- Instruction manual

Ultra light caliper

ACCESSORIES

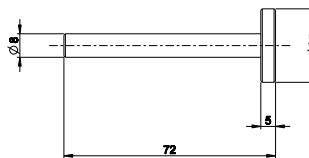
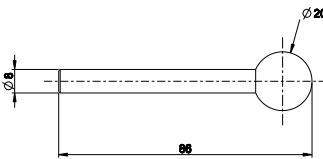
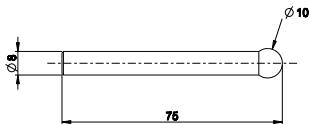
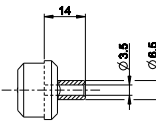
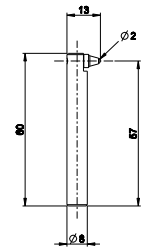
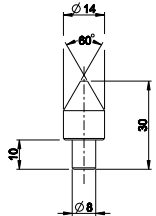
A

		UL4	UL H4	ULV4	ULD4
 	811.2301 Universal base (2 pieces)	●	●		
 	811.2302 Ø8 Anvil holder (2 pieces, to combine with 811.2301)	●	●		
   	811.2303 Accessories holder (2 different pieces)	●	●		
	811.2305 Support with int. thread M 2.5 (2 pieces)	●			

See also cables chapter

Ultra light caliper

ACCESSORIES








		UL4	UL H4	ULV4	UL D4
811.2307	Inserts in hardened steel, cone 60° for bore clearance measurement > 10 mm, (2 pieces)	●	●		
811.2309	Holder for dial gauge contact points for internal groove measurement, (2 pieces)	●	●		
811.2304	Thread anvils holders (2 pieces)	●			
811.2310	Anvil Ø10mm (2 pieces)	●	●		
811.2311	Anvil Ø20mm (2 pieces)	●	●		
811.2312	Anvil Ø25x5mm (2 pieces)	●	●		
811.6306	Wooden box for UL4 400 and 600mm	●	●		
811.6310	Wooden box for UL4 1000mm	●	●		
811.6315	Wooden box for UL4 1500mm	●	●		

See also cables chapter

Ultra light caliper

ACCESSORIES

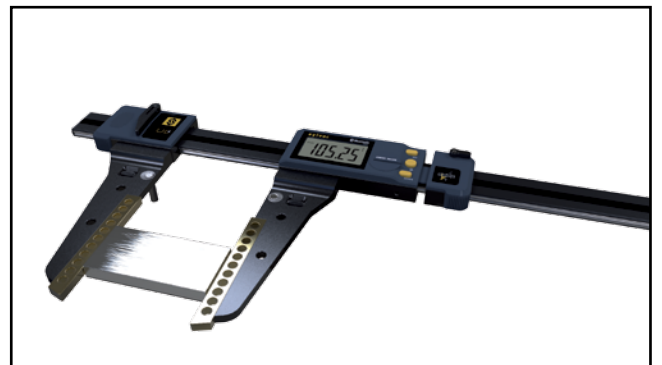
A

		UL4	UL H4	ULV4	UL D4
	811.2321 Lower plate for internal anvil (2 pieces) (for Bowers Unical's «L anvils»)	●	●		
	811.2322 Lower internal anvil (2 pieces)	●	●		
	811.2323 Upper internal measurement anvil (2 pieces)* (to combine with 811.2303)	●	●		
	811.2324 Long cylindrical anvil Ø8x80mm (2 pieces) (to combine with 811.2303)	●	●		
	811.2325 Cylindrical anvil Ø8x30mm (2 pieces)	●	●		

APPLICATIONS



Internal measure with UL4



External measure with UL4



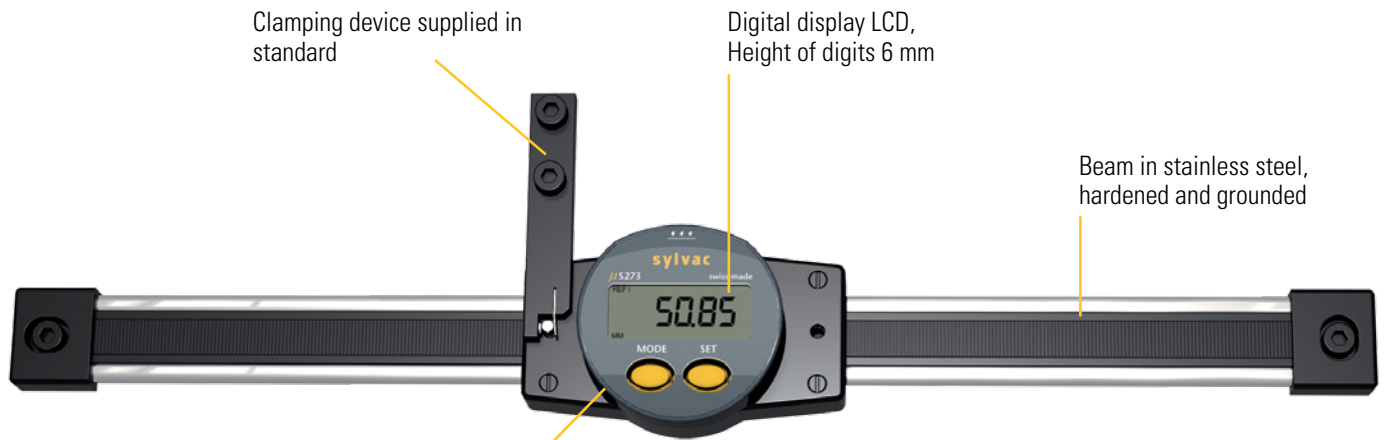
Digital scales

S_Scale WORK

A

DESCRIPTION

- Max displacement speed: 2 m/sec
- RS232 or USB Data output
- External power supply by Power cable
- Easy to integrate in your projects



Aluminium carriage
Plastic rotating display on 270°



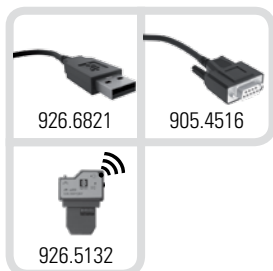
**SWISS
MADE**

SIS Smart Inductive System

WATER RESISTANT

IP65

POWER

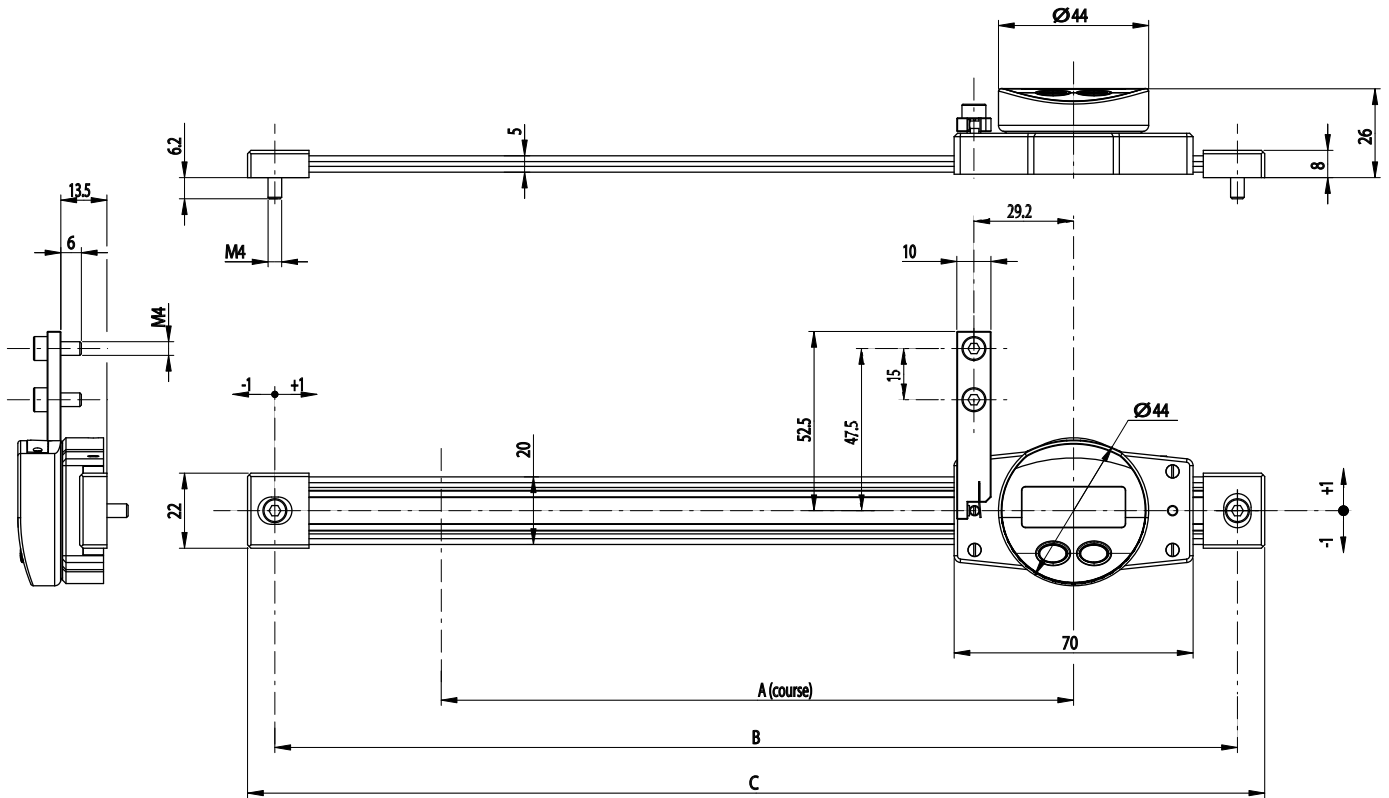


Digital scales

S_Scale WORK

DIMENSIONAL DRAWINGS

A



TECHNICAL SPECIFICATIONS

		816.1015	816.1020	816.1030	816.1060
Measuring range	mm	150	200	300	600
Type		H / V	H / V	H / V	H / V
Max. Error	µm	20	20	30	30
Repeatability ¹⁾	µm	10	10	10	10
Resolution mm		0.01	0.01	0.01	0.01
A	mm	185	235	335	665
B	mm	282	332	432	762
C	mm	298	348	448	778
S_Connect : Power	USB / RS232 / Wireless ²⁾				
Selection of measuring direction	•				
PRESET function	•				
2 references	•				

¹⁾ ± 1 digit

²⁾ see cables chapter

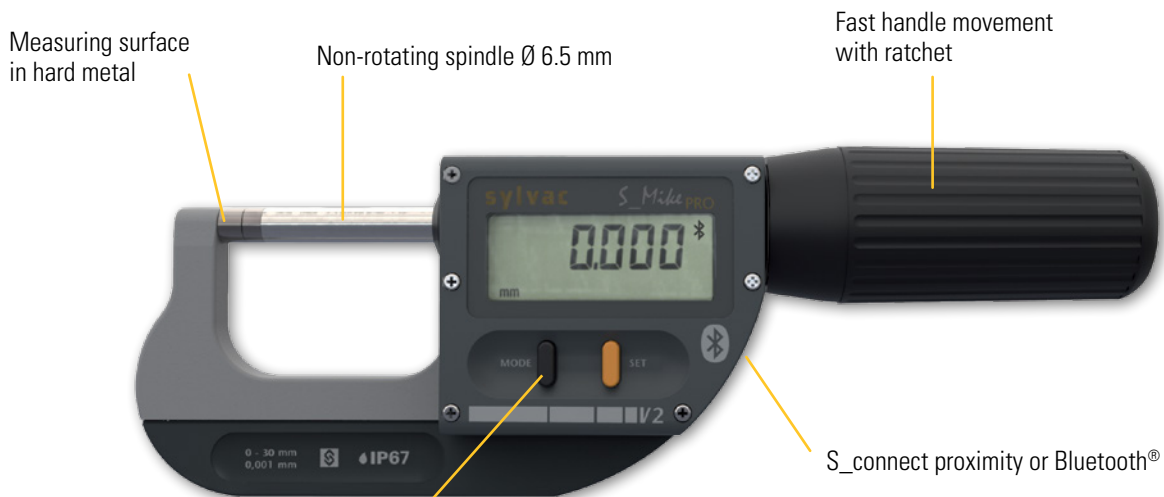
Professional micrometer

S_Mike PRO

DESCRIPTION

CYLINDRICAL Ø6.5

- Automatic wake-up by moving the measuring spindle (Absolute System S.I.S)
- Sleeping mode after 20 min. of no use (Absolute System S.I.S)
- Position memorized in sleeping mode, **Absolute System S.I.S***
- Water protected for heavy-duty work with coolants and lubricants, protection rating IP67 according to IEC 60529, **even connected**
- Measuring range 0-161 mm **covered with 5 instruments only**
- Set of 3 micrometers 0-102 mm available
- Quick displacement of the measuring spindle 10 mm / rotation
- Adjustable measuring force 5N / 10N (versions 903.030X)
- Repeatability and reproducibility never reached before
- Thimble in polyacetal-copolymer



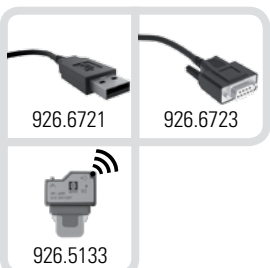
SWISS MADE

SIS Smart Inductive System

WATER RESISTANT

IP67

PROXIMITY Built-in **Bluetooth®**



Simple and friendly functions

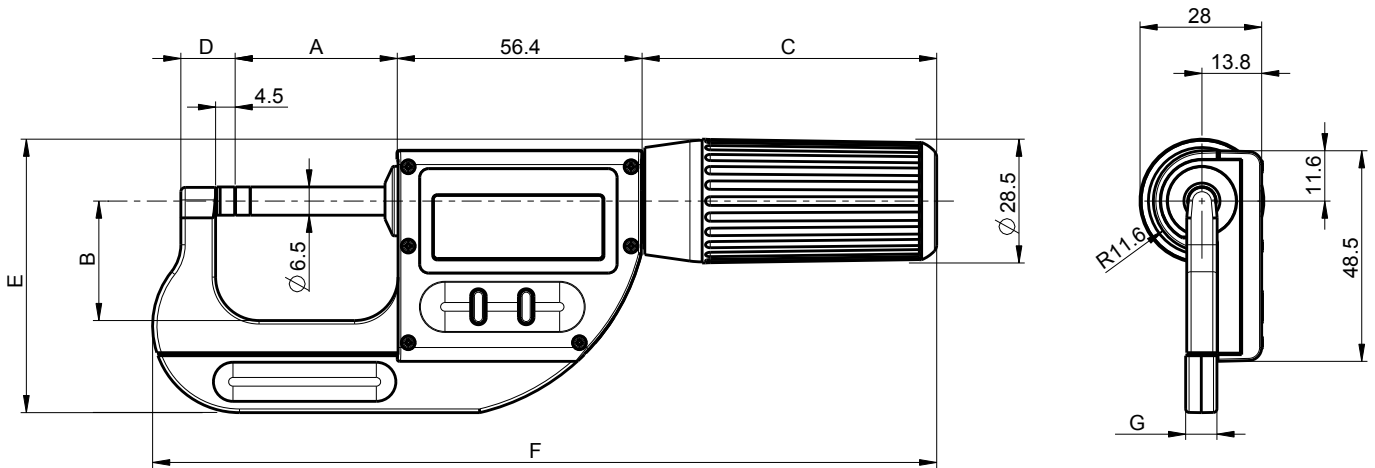


Professional micrometer

S_Mike PRO

DIMENSIONAL DRAWING

CYLINDRICAL Ø6.5



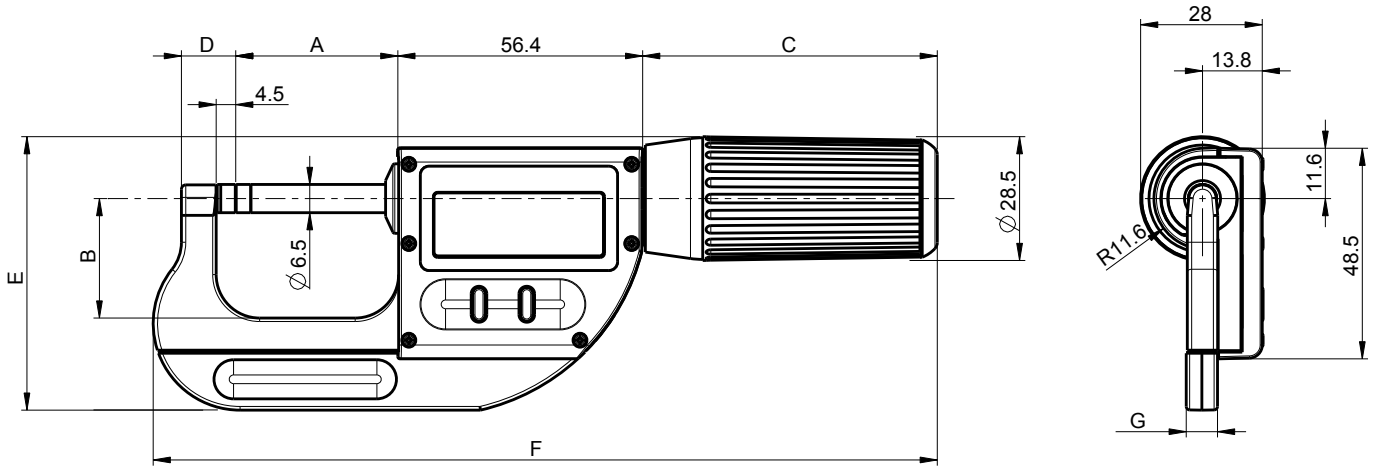
TECHNICAL SPECIFICATIONS

		803.0300	903.0600	903.1000	903.1360	903.1600
Measuring range	mm	0-30	30-66	66-102	100-136	125-161
Max. Error G ¹⁾	µm	3	4	5	7	8
Repeatability ²⁾	µm	1	1	1	2	2
Anvils types		Ø6.5				
A	mm	37.3	73.3	109.3	143.3	168.3
B	mm	27.5	43	60	95	110
C	mm	68	74	74	74	74
D	mm	12.5	13.5	14.5	19.5	19.5
E	mm	63	86	106	151	169
F	mm	181	230	269	306	339
G	mm	7.2	9	9	9	9
S_Connect : Proximity		USB / RS 232 / Wireless ³⁾				
Prot. rating accor. to IEC 60529		IP67 even connected				
Setting by PC		●				
Adjustable measuring force		5N / 10N		10N		
Non-rotating spindle		●				
Fast movement		●				
Preset function		●				
Smart Inductive Sensor		●				

¹⁾ according to DIN 863

²⁾ ± 1 digit

³⁾ see cables chapter



TECHNICAL SPECIFICATIONS

		803.0306	903.0606	903.1006
Measuring range	mm	0-30	30-66	66-102
Max. Error G ¹⁾	µm	3	4	5
Repeatability ²⁾	µm	1	1	1
Anvils types		Ø6.5 ³⁾		
A	mm	37.3	73.3	109.3
B	mm	27.5	43	60
C	mm	68	74	74
D	mm	12.5	13.5	14.5
E	mm	63	86	106
F	mm	181	230	269
G	mm	7.2	9	9
S_Connect		Bluetooth® wireless technology*		
Prot. rating accor. to IEC 60529		IP67 even connected		
Setting by PC		●		
Adjustable measuring force		5N / 10N	10N	
Non-rotating spindle		●		
Fast movement		●		
Preset function		●		
Smart Inductive Sensor		●		

¹⁾ according to DIN 863

²⁾ ± 1 digit

³⁾ Other anvils type on demand.

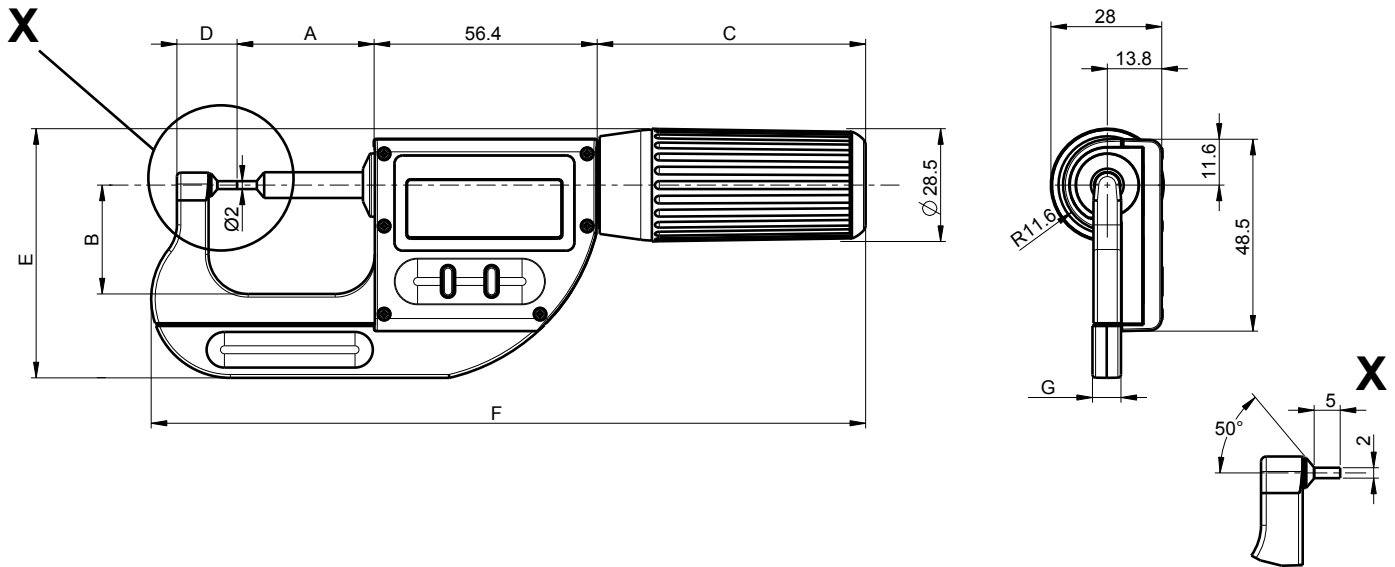
* Up to 8 instruments connected per dongle #981.7100
More informations on How to use Bluetooth® leaflet SYL_1401_EN_BT

Professional micrometer

S_Mike PRO

DIMENSIONAL DRAWING

CYLINDRICAL Ø2



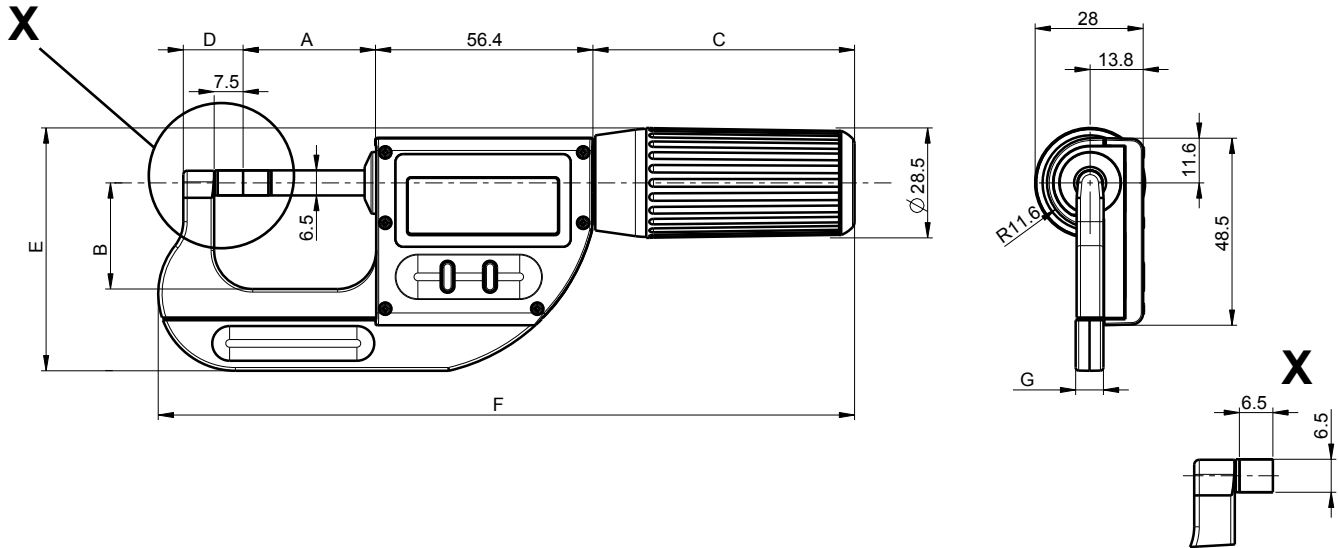
TECHNICAL SPECIFICATIONS

		803.0301	903.0601	903.1001	803.0307
Measuring range	mm	0-25	25-60	60-95	0-25
Max. Error G ¹⁾	µm	3	4	5	3
Repeatability ²⁾	µm	1	1	1	1
Anvils types		Ø2			Ø2
A	mm	34.6	70.6	106.6	34.6
B	mm	27.5	43	60	27.5
C	mm	68	74	74	68
D	mm	15.2	16.2	17.2	15.2
E	mm	63	86	106	63
F	mm	181	230	269	181
G	mm	7.2	9	9	7.2
S_Connect : Proximity		USB / RS 232 / Wireless ³⁾			Bluetooth® wireless technology*
Prot. rating accor. to IEC 60529		IP67 even connected			
Setting by PC		●			
Adjustable measuring force		5N / 10N	10N		5N / 10N
Non-rotating spindle		●			
Fast movement		●			
Preset function		●			
Smart Inductive Sensor		●			

¹⁾ according to DIN 863

²⁾ ± 1 digit

³⁾ see cables chapter



TECHNICAL SPECIFICATIONS

		803.0302	903.0602	903.1002	903.1302	903.1602	803.0308
Measuring range	mm	0-25	25-60	60-95	95-130	120-155	0-25
Max. Error G ¹⁾	µm	3	4	5	6	7	3
Repeatability ²⁾	µm	1	1	1	2	2	1
Anvils types		0.75x6.5					0.75x6.5
A	mm	34.3	70.3	106.3	140.3	165.3	34.3
B	mm	27.5	43	60	95	110	27.5
C	mm	68	74	74	74	74	68
D	mm	15.5	16.5	17.5	22.5	22.5	15.5
E	mm	63	86	106	151	169	63
F	mm	181	230	269	306	339	181
G	mm	7.2	9	9	9	9	7.2
S_Connect : Proximity		USB / RS 232 / Wireless ³⁾					Bluetooth® wireless technology*
Prot. rating accor. to IEC 60529		IP67 even connected					
Setting by PC		●					
Adjustable measuring force		5N / 10N	10N				5N / 10N
Non-rotating spindle		●					
Fast movement		●					
Preset function		●					
Smart Inductive Sensor		●					

¹⁾ according to DIN 863

²⁾ ± 1 digit

³⁾ see cables chapter

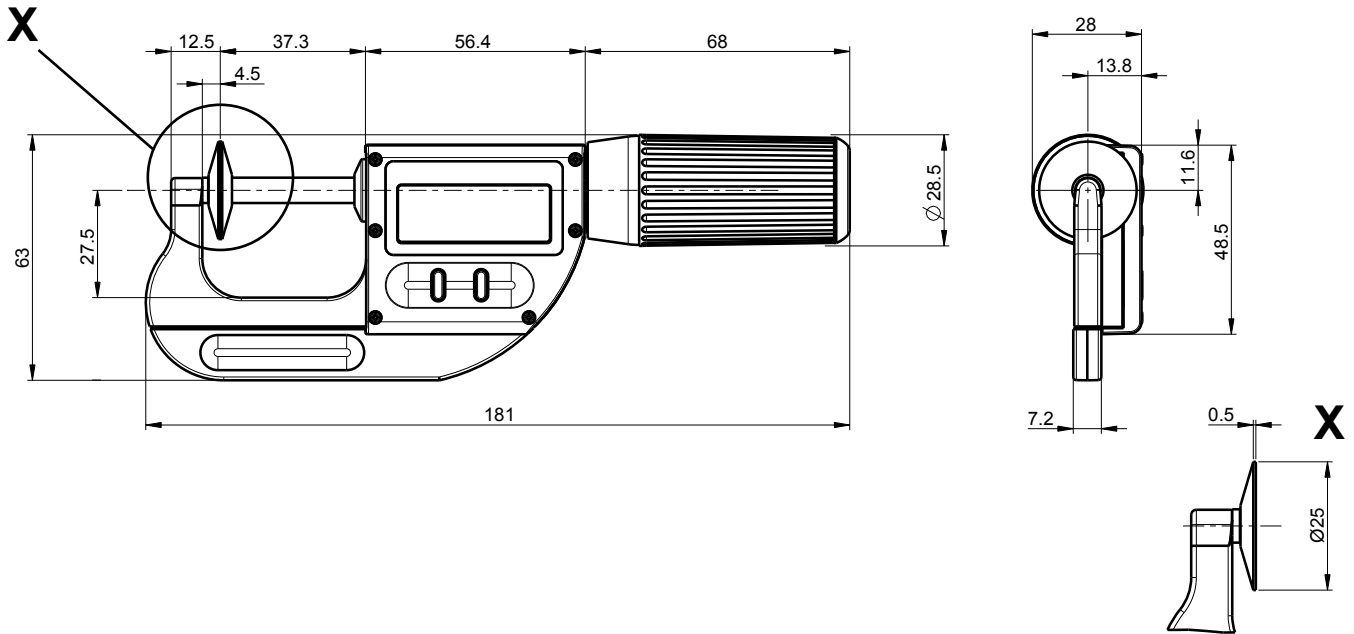
Professional micrometer

S_Mike PRO

DIMENSIONAL DRAWING

DISC-SHAPED

A



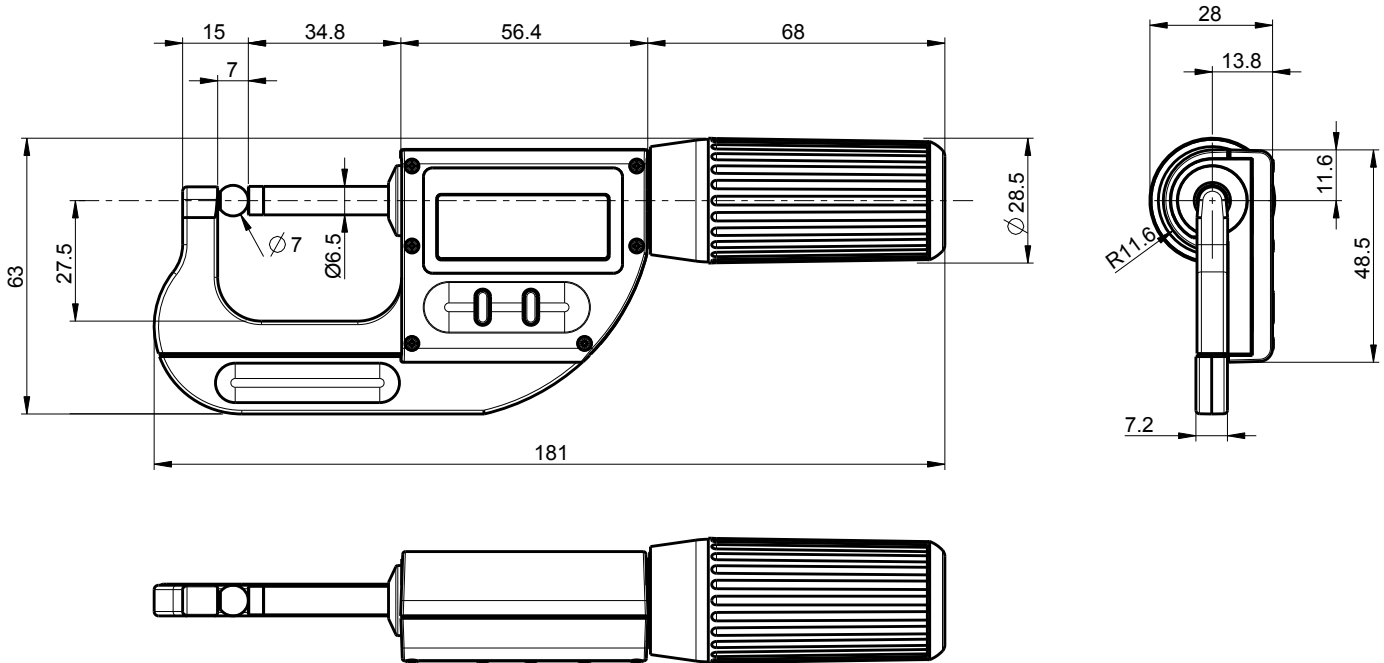
TECHNICAL SPECIFICATIONS

		803.0303
Measuring range	mm	0-30
Max. Error G ¹⁾	µm	4 (full-touch-contact) / 10 (partial contact)
Repeatability ²⁾	µm	1
Flatness	µm	2
Parallelism	µm	5 (full-touch-contact) / 10 (partial contact)
Gear unit		Measurable module ≥ 0.5
Anvils types		Ø25
S_Connect : Proximity		USB / RS 232 / Wireless ³⁾
Prot. rating accor. to IEC 60529		IP67 even connected
Setting by PC		●
Adjustable measuring force		5N
Non-rotating spindle		●
Fast movement		●
Preset function		●
Smart Inductive Sensor		●

¹⁾ according to DIN 863

²⁾ ± 1 digit

³⁾ see cables chapter



TECHNICAL SPECIFICATIONS

		903.0304
Measuring range	mm	0-30
Max. Error G ¹⁾	µm	3
Repeatability ²⁾	µm	1
Parallelism	µm	1
Anvils types		Ø7 flat and Ø7 spherical
S_Connect : Proximity		USB / RS 232 / Wireless ³⁾
Prot. rating accor. to IEC 60529		IP67 even connected
Setting by PC		●
Adjustable measuring force		5N / 10N
Non-rotating spindle		●
Fast movement		●
Preset function		●
Smart Inductive Sensor		●

¹⁾ according to DIN 863

²⁾ ± 1 digit

³⁾ see cables chapter

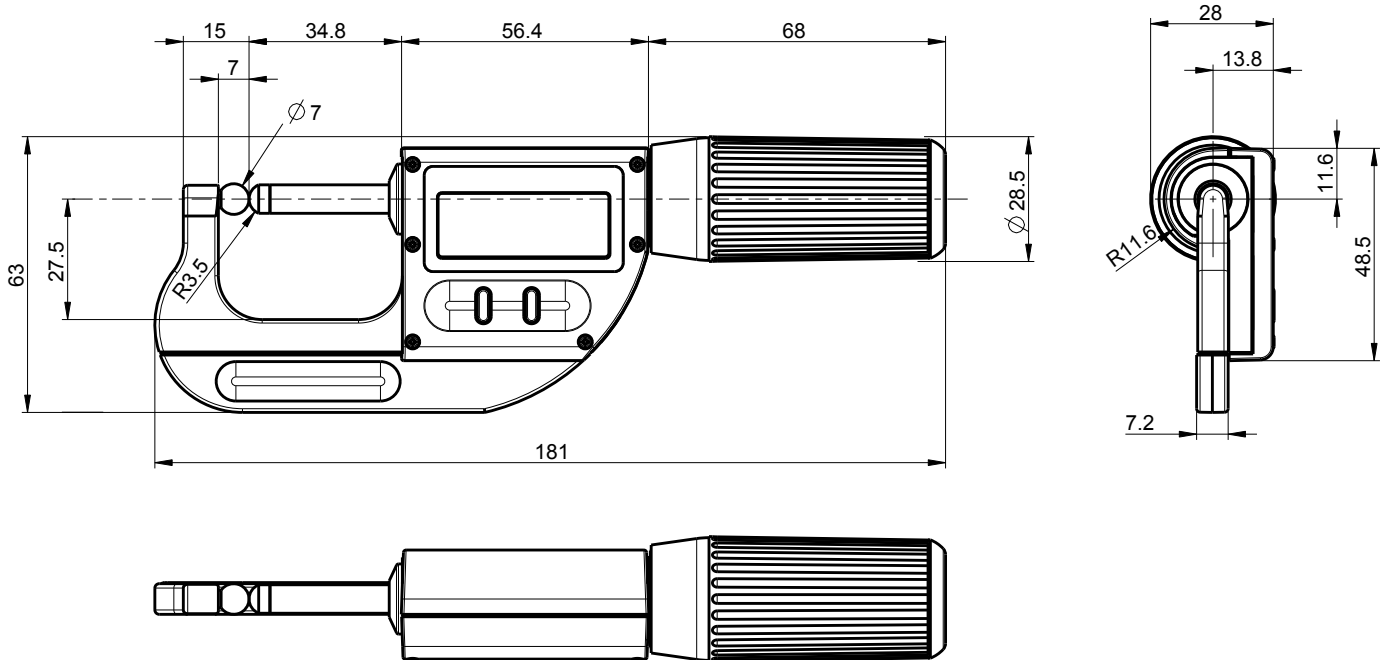
Professional micrometer

S_Mike PRO

DIMENSIONAL DRAWING

SPHERICAL Ø7

A



TECHNICAL SPECIFICATIONS

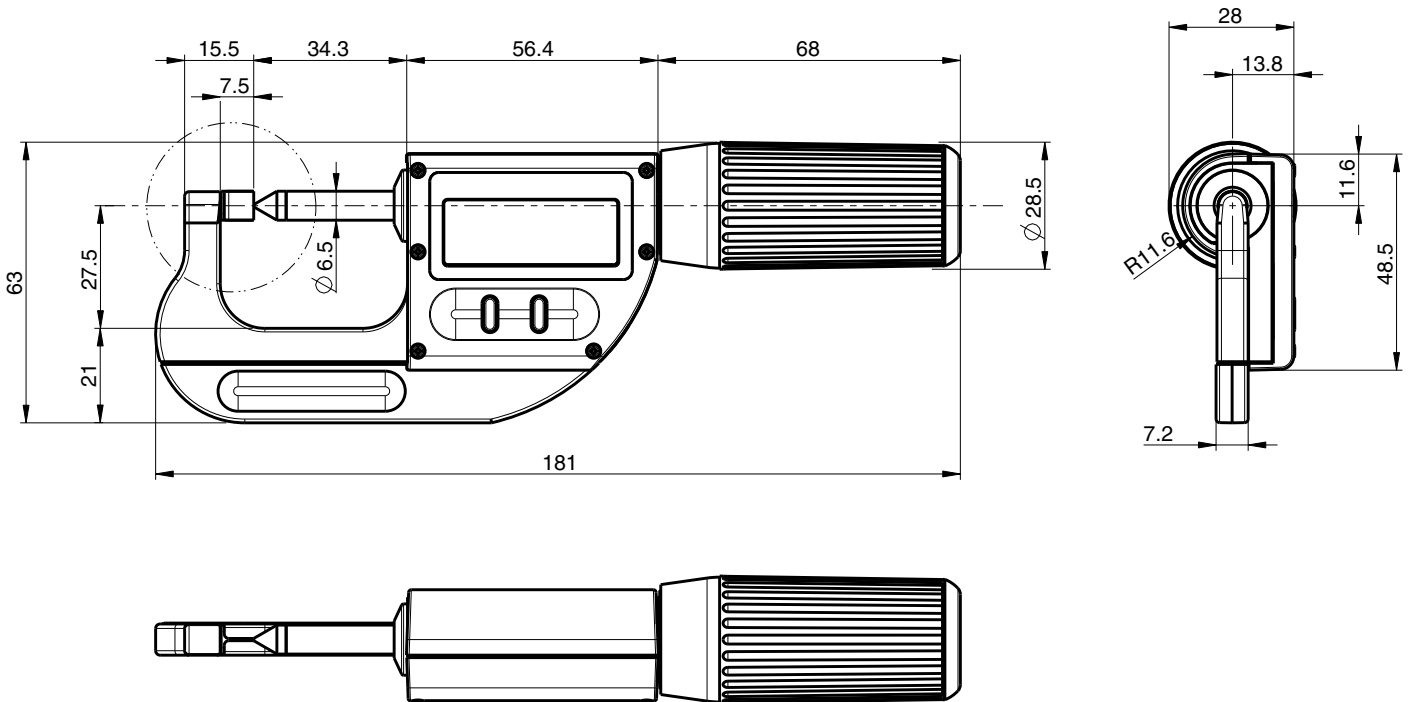
		903.0305
Measuring range	mm	0-30
Max. Error G ¹⁾	µm	4
Repeatability ²⁾	µm	1
Anvils types		Ø7 2 spherical
S_Connect : Proximity		USB / RS 232 / Wireless ³⁾
Prot. rating accor. to IEC 60529		IP67 even connected
Setting by PC		●
Adjustable measuring force		5N / 10N
Non-rotating spindle		●
Fast movement		●
Preset function		●
Smart Inductive Sensor		●

¹⁾ according to DIN 863

²⁾ ± 1 digit

³⁾ see cables chapter

Built-in Bluetooth® **Cable crimping**



TECHNICAL SPECIFICATIONS

		803.0309
Measuring range	mm	0-25
Max. Error G ¹⁾	µm	3
Repeatability ²⁾	µm	1
Anvils types		Knife 0.5mm - cone 30°/Ø0.5mm
S_Connect : Proximity		Bluetooth® wireless technology*
Prot. rating accor. to IEC 60529		IP67 even connected
Setting by PC		●
Adjustable measuring force		5N / 10N
Non-rotating spindle		●
Fast movement		●
Preset function		●
Smart Inductive Sensor		●

¹⁾ according to DIN 863

²⁾ ± 1 digit

³⁾ see cables chapter

Professional micrometer

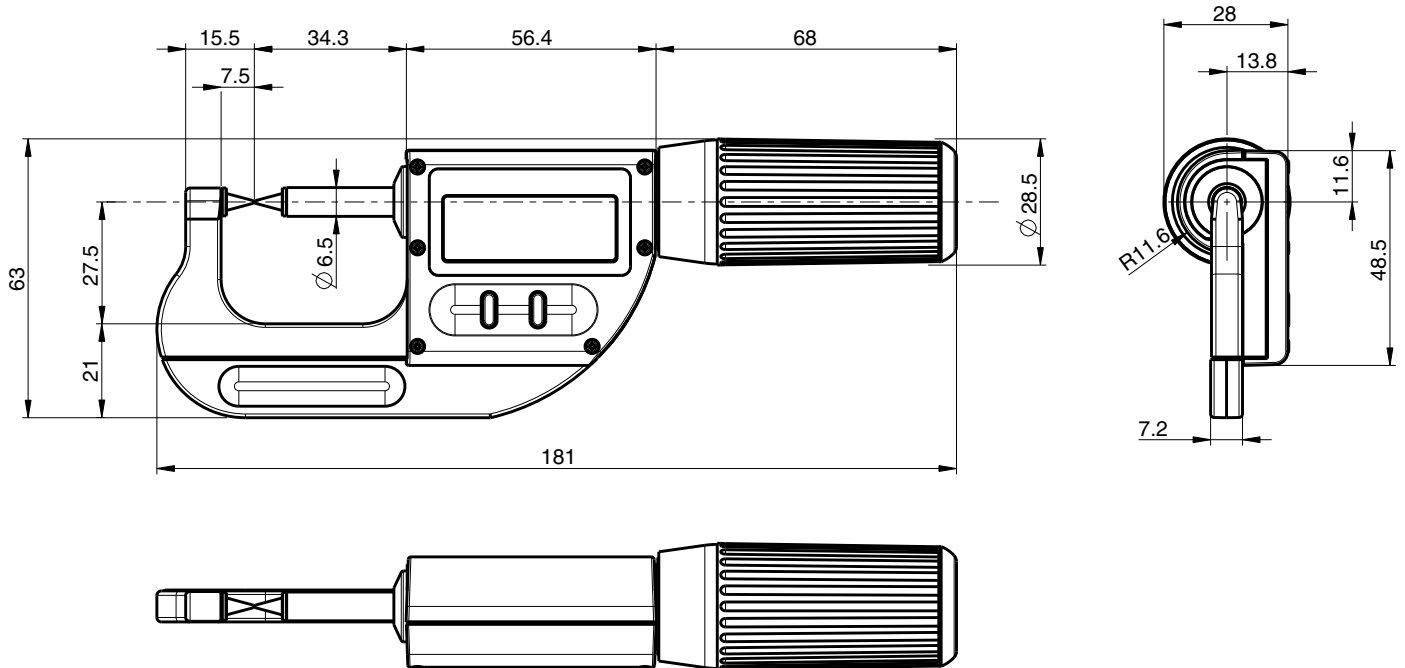
S_Mike PRO

DIMENSIONAL DRAWING

POINT / SPHERICAL

A

 Built-in Bluetooth® **Point**



TECHNICAL SPECIFICATIONS

		803.0310
Measuring range	mm	0-25
Max. Error G ¹⁾	µm	3
Repeatability ²⁾	µm	1
Anvils types		Point 30° - spherical Ø3mm
S_Connect : Proximity		Bluetooth® wireless technology*
Prot. rating accor. to IEC 60529		IP67 even connected
Setting by PC		●
Adjustable measuring force		5N / 10N
Non-rotating spindle		●
Fast movement		●
Preset function		●
Smart Inductive Sensor		●

¹⁾ according to DIN 863

²⁾ ± 1 digit

³⁾ see cables chapter

Professional micrometer

S_Mike PRO

A BASIC INSTRUMENT



903.1301



910.1301 including:
910.1502, 903.0300 and 903.0330



910.1304 including:
810.1506, 803.0306 and 805.6301

		903.1300	903.1301	910.1301	910.1304
Measuring range	mm	0-102	0-102	150 / 0-30	150 / 0-30 / 12.5
Plastic case		●	-	-	●
Aluminium case		-	●	●	-
Connexion		USB / RS 232 / Wireless			Bluetooth® wireless technology*

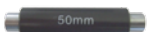
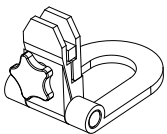
BASIC INSTRUMENT

- Instrument according to technical specifications
- Standard bar 50 mm (for 903.060X)
- Standard bar 75 mm (for 903.100X)
- Lithium battery CR2032 included
- Instruction manual
- Calibration certificate

MICROMETERS SETS

- 903.0300 / 0600 / 1000
- Standard bar 50 mm
- Standard bar 75 mm
- Lithium battery CR2032 included
- Instruction manual
- Calibration certificate

ACCESSORIES



75mm

125mm

903.0330	Stand
903.0620	Standard bar 50 mm
903.1020	Standard bar 75 mm
903.1620	Standard bar 125 mm

Professional micrometer

S_Mike PRO

MODELS

A



Cylindrical Ø6.5mm Proximity /
Cylindrical Ø6.5mm Bluetooth®



Disk Ø25mm



Ball-Ball Ø7mm



Flat Ø6.5mm-Ball Ø7mm



Knife 0.75x6.5mm



Cylindrical Ø2mm



Cable crimping Knife 0.5mm -
cone 30° / Ø0.5mm Bluetooth®



Point 30° - ball Ø3mm Bluetooth®

APPLICATIONS



Part measurement with a S_Mike PRO Disk



Length measurement of a lathed part

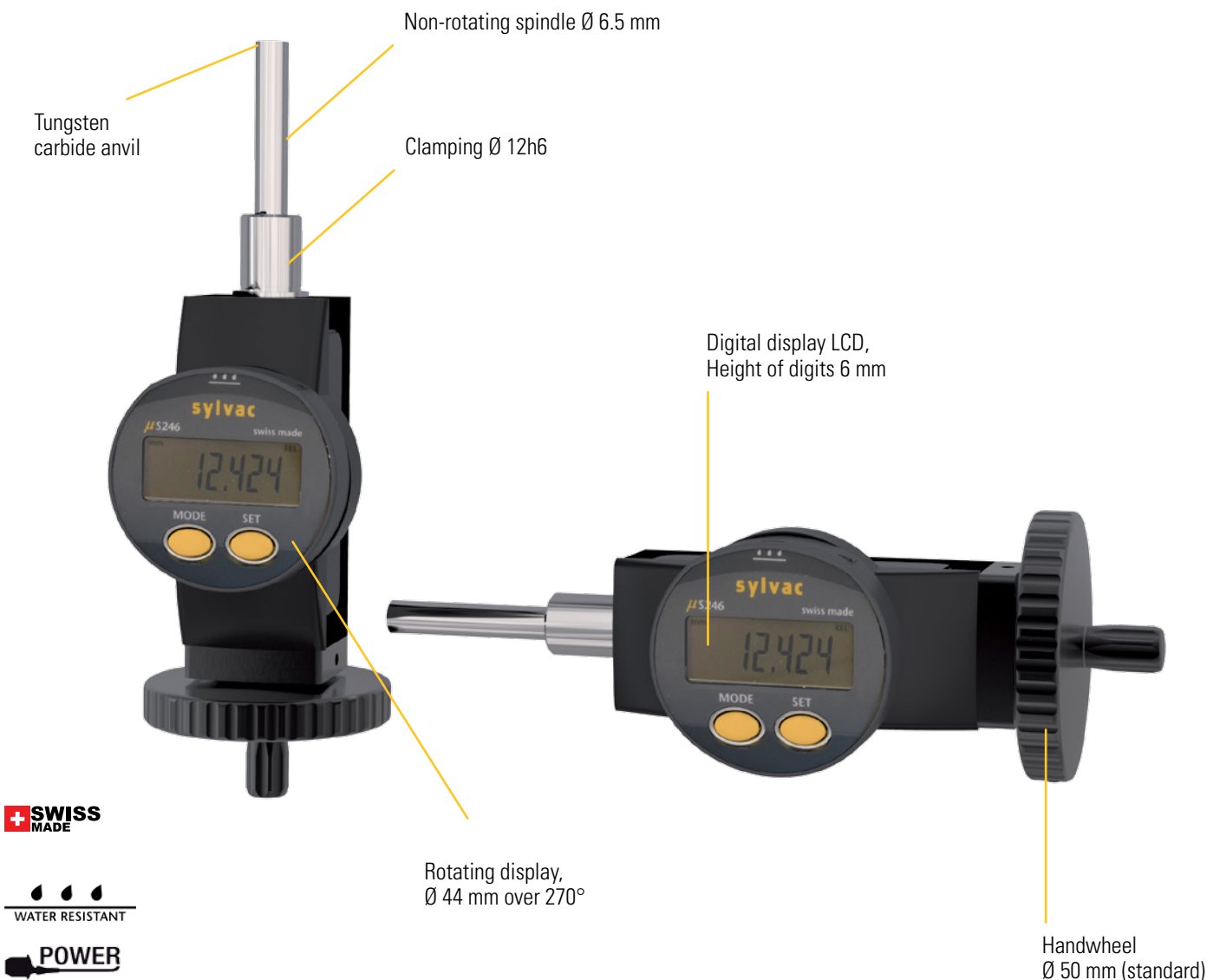


Cable crimping measurement

Digital micrometer screws

DESCRIPTION

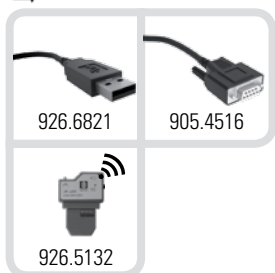
- Data output RS232, combined with external power supply
- Fine adjustment available (accessories)
- Horizontal and Vertical use (same type)
- Reduced dimensions (compact)
- Other handwheels on request



SWISS MADE

WATER RESISTANT

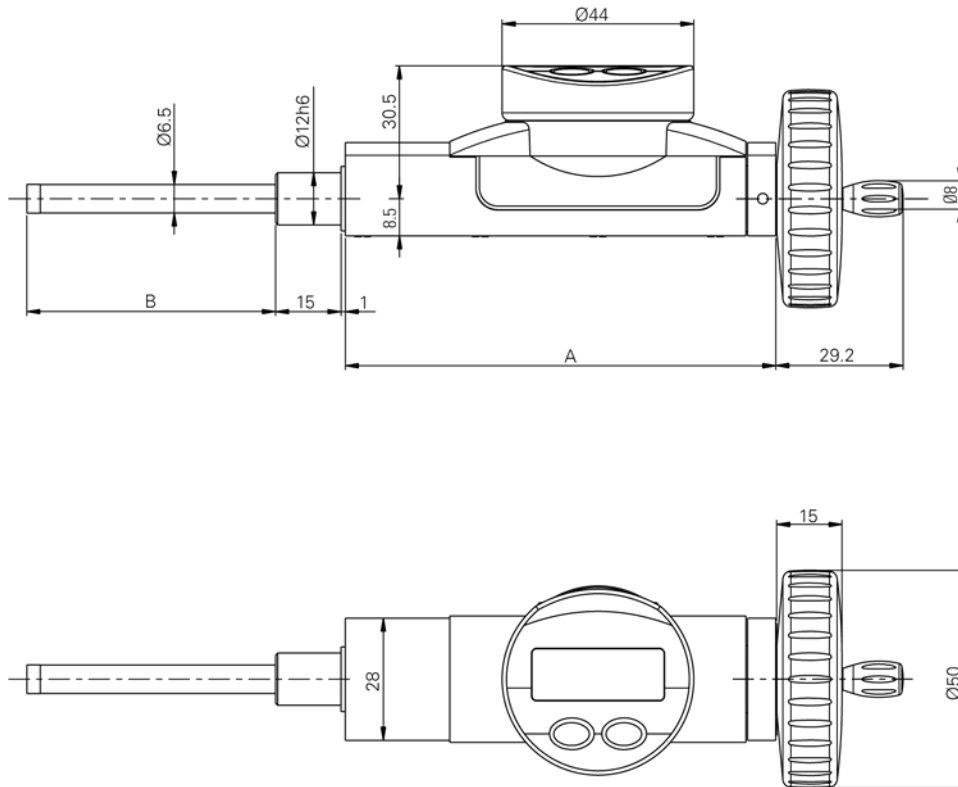
POWER



Digital micrometer screws

DIMENSIONAL DRAWING

A



TECHNICAL SPECIFICATIONS

		852.2001	852.2011
Measuring range	mm	0-25	0-50
Max. Error	µm	5	8
Repeatability	µm	2	2
Resolution	mm	0.001	0.001
A	mm	74.5	98.5
B	mm	33.1	57.1
S_Connect : Power	USB / RS232 / Wireless ¹⁾		
Selection of measuring direction	•		
PRESET function	•		
Absolute or relative measurement	•		

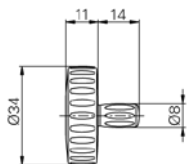
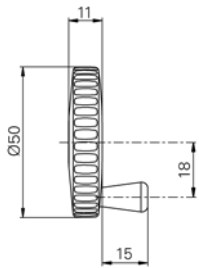
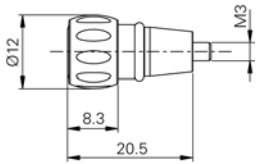
¹⁾ see cables chapter

Digital micrometer screws

A BASIC INSTRUMENT

- Instrument according to technical specifications
- Lithium battery CR2032 included
- Instruction manual
- Handwheel Ø 50 mm (852.2311)
- Calibration certificate

ACCESSORIES



852.2310	Fine adjustment device
852.2311	Handwheel Ø 50 mm with crank handle for fast motion
852.2312	Handwheel Ø 34 mm

APPLICATIONS



Fine adjustment device type 852.2310



Use on measuring microscope



Handwheel use

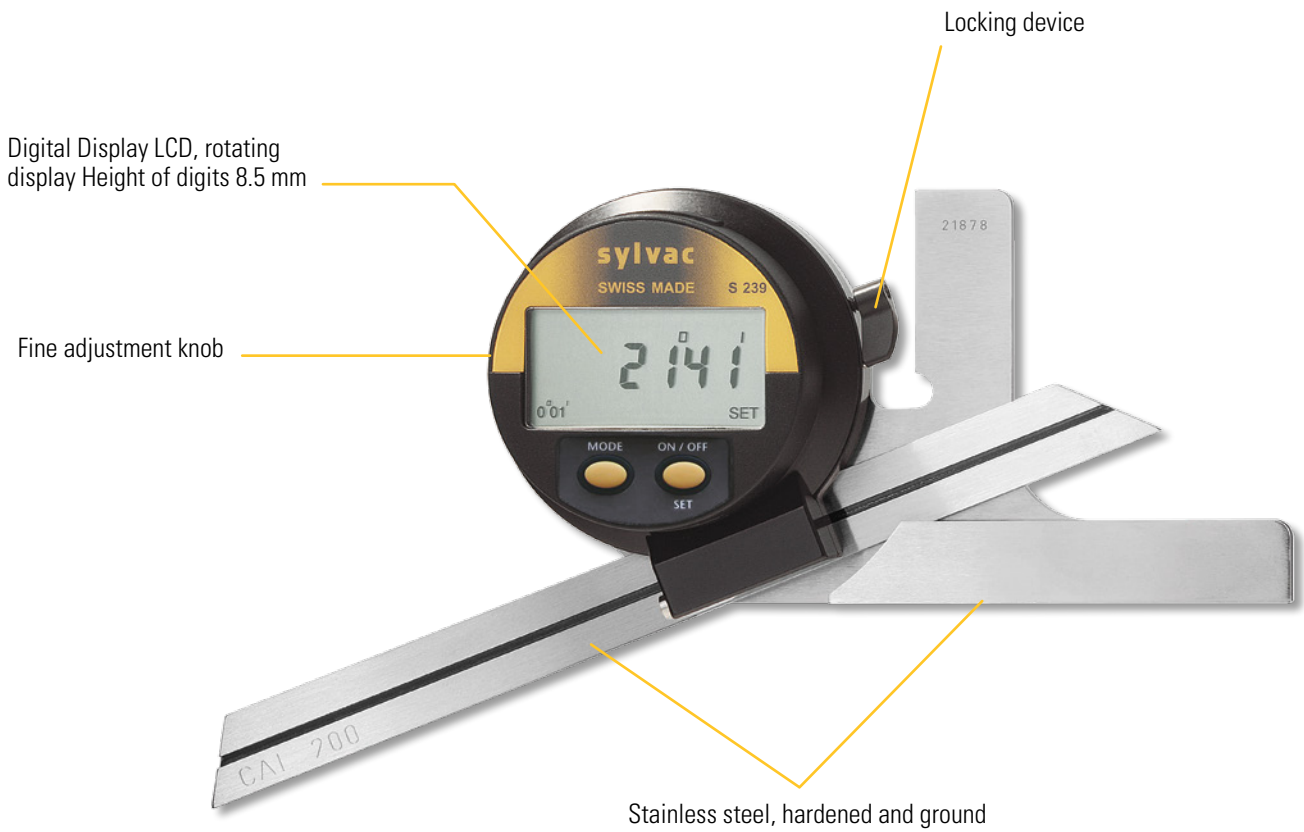
Protractor

S239

DESCRIPTION

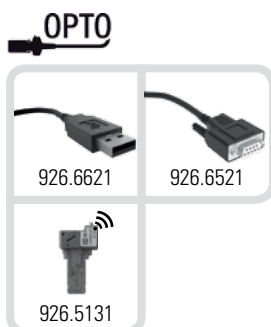
- Measuring range 1x360°, 2x180°, 4x90°
- Mechanical parts in stainless steel

A

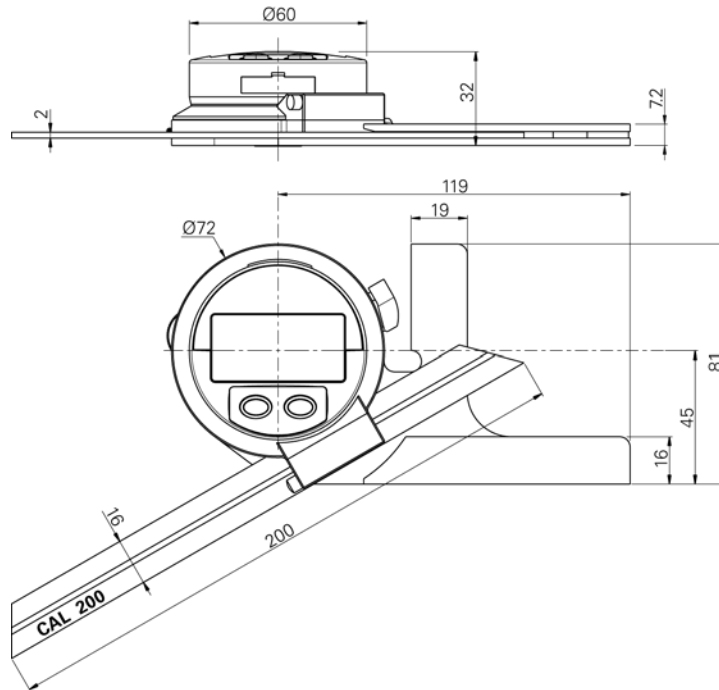


SWISS MADE

WATER RESISTANT



DIMENSIONAL DRAWING



TECHNICAL SPECIFICATIONS

	820.1700
Measuring range	0-360°
Max. Error	4 minutes of arc
Resolution	1 minute of arc / 0.01°
Max. rotation speed	1080° / sec
Protection rating according to IEC 529	IP51
S_Connect : Opto	USB / RS232 / Wireless ¹⁾
Selection of measuring direction	●

¹⁾ see cables chapter

BASIC INSTRUMENT

- Instrument according to technical specifications
- Wooden box ²⁾
- Scale 200 mm (820.2420)
- Lithium battery CR2032 included
- Instruction manual

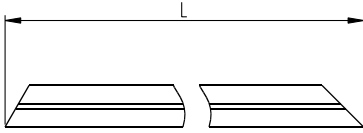
²⁾ Fumigated, compatible ISPM 15 and NIMP 15

Protractor

S239

ACCESSORIES

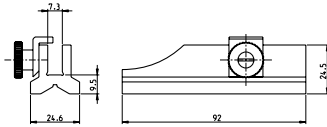
A



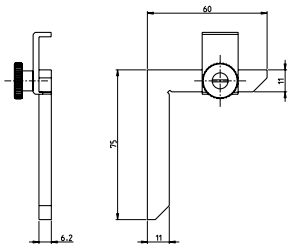
820.2420 Scale L 200 mm

820.2430 Scale L 300 mm

820.2450 Scale L 500 mm

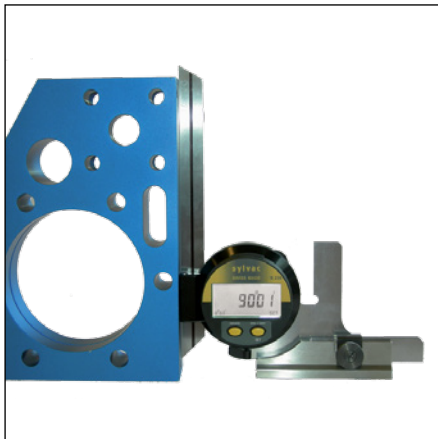


820.2460 Stand for vertical application and small angular measurements

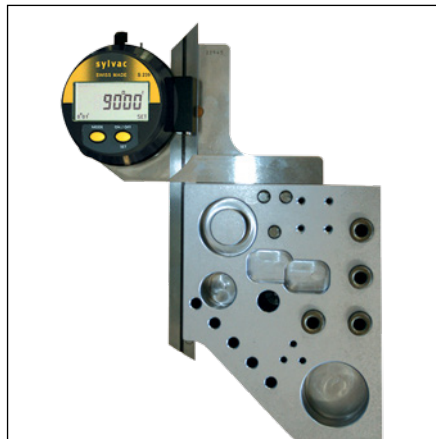


820.2461 Square for small angular measurements

APPLICATIONS



Measurement with accessory type 820.2460



Standard measurement



Measurement with accessory type 820.2461

