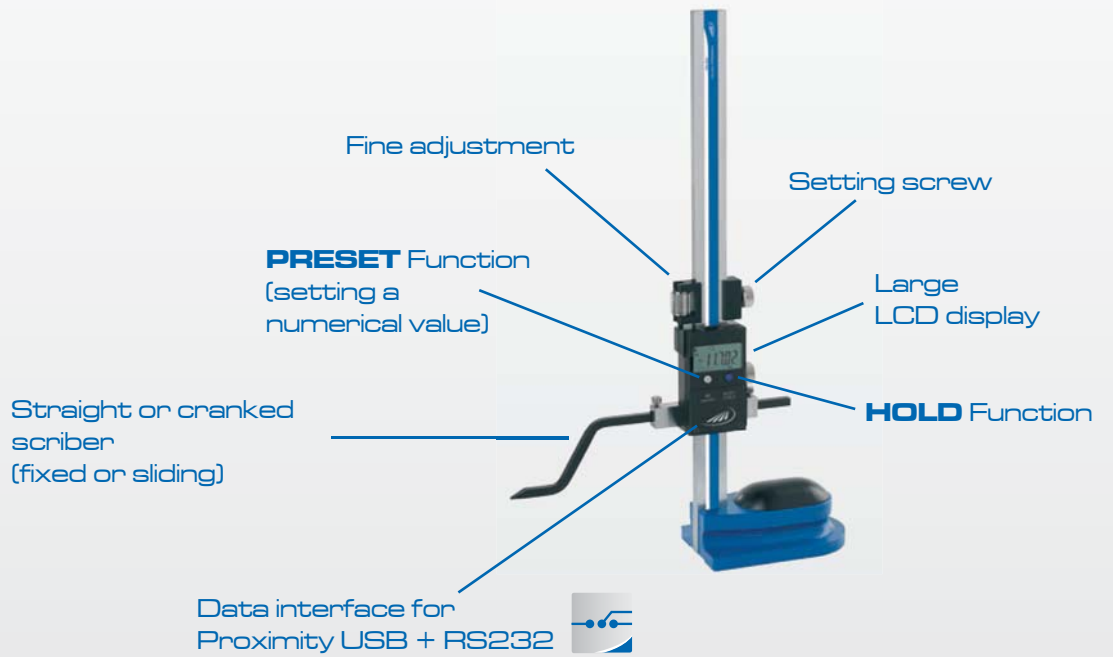




SAMPLES MARKING GAUGES



More products from our range of **Marking gauges**



MARKING**GAUGES**



DIVIDERS



MARKING**CALIPERS**

4. CHAPTER MARKING GAUGES

180	Scribers
181	Dividers
183	Beam compass
186	Internal and external calipers
188	Marking calipers / Marking gauges
192	Height and scribing gauges





0300 Scribes



✂	☞	Length mm	Material	Order no.	List price EUR
With straight screw-in scribe					
		175	Chromium-vanadium steel, hardened	0300 007	2.00
		175	Carbide-tipped	0300 103	9.90
With one straight and one L-shaped screw-in scribes					
		250	Chromium-vanadium steel, hardened	0300 008	2.20
With one straight and one angled screw-in and burnished scribes					
		200	Chromium-vanadium steel, hardened	0300 011	2.00
		250	Carbide-tipped	0300 114	8.40
With a mechanic and pocket clip					
		150	Carbide-tipped	0300 120	12.30
One piece hexagonal body with a pocket clip					
		180	Carbide-tipped	0300 102	5.40
With straight scribe. plastic handle. With straight scribe. ball point pen form. incl. 20 interchangeable marking scribes					
		125	Chromium-vanadium steel, hardened	0300 013	9.80
For scribe 0300 008. With straight scribe. plastic handle					
		110	Carbide-tipped	0300 112	4.50

0300 Replacement scribes



✂	☞	Length mm	Material	Order no.	List price EUR
For scribes 0300 007, 0300 008					
		86	Chromium-vanadium steel. hardened	0300 009	1.00
For scribe 0300 008					
		80	Chromium-vanadium steel. hardened	0300 010	1.00
For scribe 0300 013: (Package = 50 pieces)					
		16	Chromium-vanadium steel. hardened	0300 014	3.40
For scribes 0300 120					
		33	Carbide	0300 130	3.30





0301 Precision dividers



Model

- With a rivetted hinge
- Hardened needle shaped-ground points
- Special steel

Delivery

- Cardboard box

✂	☞	Radius mm	Order no.	List price EUR
		150	0301 001	7.00
		175	0301 002	8.00
		200	0301 003	8.80
		250	0301 004	12.30
		300	0301 005	14.90
		400	0301 006	40.20
		500	0301 007	57.00
		600	0301 008	75.00
		800	0301 009	105.00
		1000	0301 010	154.00

0302 / 0306 Dividers with quadrant



Model

- With a rivetted hinge
- Special steel
- Quadrant with robust, milled locking screw
- Hardened points

Delivery

- Cardboard box

✂	☞	Radius mm	Order no.	List price EUR
		150	0302 001	10.30
		175	0302 002	11.30
		200	0302 003	12.10
		250	0302 004	15.80
		300	0302 005	20.70
		400	0302 006	58.00
		500	0302 007	71.00
		600	0302 008	91.00
		800	0302 009	127.00
		1000	0302 010	176.00
With pencil holder				
		150	0306 001	13.10
		200	0306 003	14.90
		300	0306 005	23.20



0310 Spring dividers



Model

- Quick release set screw
- Special steel
- Fixed points
- Hardened points
- Quick release set screw and spring are burnished

Delivery

- Cardboard box

»»	¼	Radius mm	Order no.	List price EUR
		100	0310 101	3.50
		125	0310 102	3.80
		150	0310 103	4.20
		200	0310 105	4.70
		250	0310 107	6.00
		300	0310 108	7.10

0311 Spring dividers



Model

- Quick release set screw
- Special steel
- Interchangeable points
- Hardened points
- Quick release set screw and spring are burnished

Delivery

- Cardboard box

»»	¼	Radius mm	Order no.	List price EUR
		100	0311 101	3.50
		125	0311 102	4.00
		150	0311 103	4.70
		200	0311 105	5.60
		250	0311 107	6.80
		300	0311 108	7.30

0311 Pair of replacement points for spring dividers



»»	¼	Material	Order no.	List price EUR
		Special steel, hardened	0311 120	2.20
		Carbide-tipped	0311 121	18.30



0316 Beam trammel



Model

- With interchangeable steel points
- Stainless steel
- Locking screw
- Fine adjustment
- Factory standard

Delivery

- Cardboard box

Measuring range	Reading	Rail cross-section	Order no.	List price
mm	mm	mm		EUR
500	0.1	25 x 6	0316 201	141.00
1000	0.1	25 x 6	0316 202	195.00

0316 Pair of replacement points, threaded



Model

- Thread M5

Length	Material	Diameter	Order no.	List price
mm		mm		EUR
58	Special steel, hardened	6	0316 110	7.40
58	Carbide	6	0316 111	29.10

0316 Beam trammel with roller



Model

- Flat beam
- Special steel
- Locking screw
- Fine adjustment
- Factory standard

Delivery

- Cardboard box
- From measuring range 2000 mm in transportation box

Measuring range	Reading	Rail cross-section	Order no.	List price
mm	mm	mm		EUR
500	0.1	25 x 6	0316 151	125.00
1000	0.1	25 x 6	0316 152	157.00
1500	0.1	25 x 6	0316 153	190.00
2000	0.1	25 x 6	0316 154	244.00



0317 Beam compass with round measuring beam



Model

- Beam is made of special steel
- Guide groove
- Slide bars are made of aluminium
- mm graduation
- Locking screws
- Interchangeable hardened scribers
- Factory standard

Delivery

- Cardboard box
- From measuring range 2000 mm in transportation box

☒	☒	Measuring range mm	Rail diameter mm	Reading mm	Order no.	List price EUR
Without fine adjustment						
		0 - 500	20	0.1	0317 001	65.00
		0 - 1000	20	0.1	0317 002	92.00
	▪	0 - 1500	20	0.1	0317 003	119.00
	▪	0 - 2000	20	0.1	0317 004	163.00
	▪	0 - 3000	28	0.1	0317 005	375.00
	▪	0 - 4000	28	0.1	0317 006	610.00
	▪	0 - 5000	28	0.1	0317 007	814.00
With fine adjustment						
		0 - 500	20	0.1	0317 101	78.00
		0 - 1000	20	0.1	0317 102	105.00
	▪	0 - 1500	20	0.1	0317 103	136.00
	▪	0 - 2000	20	0.1	0317 104	177.00
	▪	0 - 3000	28	0.1	0317 105	391.00
	▪	0 - 4000	28	0.1	0317 106	615.00
	▪	0 - 5000	28	0.1	0317 107	810.00

0317 Pair of replacement points (clamp)



☒	☒	Material	Diameter mm	Order no.	List price EUR
		Special steel, hardened	6	0317 010	8.10
		Carbide-tipped	6	0317 110	23.00



0314 Marking calipers



Model

- Special steel
- Locking screw
- Laser graduated
- Factory standard

Delivery

- Cardboard box

⊞	⊞	Measuring range mm	Radius mm	Reading mm	Jaw length mm	Order no.	List price EUR
Hardened scribing tips							
		0 - 150	300	0.1	40	0314 002	74.00
		0 - 200	400	0.1	40	0314 003	84.00
		0 - 250	500	0.1	40	0314 004	88.00
		0 - 300	600	0.1	40	0314 005	94.00
Carbide scribing tips							
		0 - 150	300	0.1	40	0314 102	112.00
		0 - 200	400	0.1	40	0314 103	133.00
		0 - 250	500	0.1	40	0314 104	137.00
		0 - 300	600	0.1	40	0314 105	142.00

0308 Combined internal / external calipers



Model

- Internal and external caliper
- Stainless steel
- Satin chrome finished scale
- With a rivetted hinge
- mm graduation for internal and external measurement

Delivery

- Cardboard box

⊞	⊞	Length mm	Measuring range mm	Order no.	List price EUR
		190	0 - 120	0308 201	90.00
		250	0 - 160	0308 202	108.00
		310	0 - 200	0308 303	132.00
		460	0 - 300	0308 305	156.00



0303 Precision internal calipers



Model

- With a rivetted hinge
- Special steel
- Hardened measuring points

Delivery

- Cardboard box
- From measuring range 2000 mm in a transportation box

»»	¼	Length mm	Order no.	List price EUR
		150	0303 001	6.80
		175	0303 002	7.40
		200	0303 003	8.40
		250	0303 004	9.00
		300	0303 005	10.30
		400	0303 006	12.60
		500	0303 007	15.60
		600	0303 008	23.60
		800	0303 009	34.00
		1000	0303 010	62.00
	▪	1200	0303 012	545.00
	▪	1500	0303 015	579.00
	▪	2000	0303 020	617.00

0304 Precision external calipers



Model

- With a rivetted hinge
- Special steel
- Hardened measuring points

Delivery

- Cardboard box
- From measuring range 2000 mm in a transportation box

»»	¼	Length mm	Order no.	List price EUR
		150	0304 001	6.80
		175	0304 002	7.40
		200	0304 003	8.40
		250	0304 004	9.00
		300	0304 005	10.30
		400	0304 006	12.60
		500	0304 007	15.60
		600	0304 008	23.60
		800	0304 009	34.00
		1000	0304 010	62.00
	▪	1200	0304 012	545.00
	▪	1500	0304 015	579.00
	▪	2000	0304 020	617.00



0312 Spring internal calipers



Model

- Internal caliper with quick release set screw
- Special steel
- Quick release set screw and spring are burnished

Delivery

- Cardboard box

⌘	¼	Length mm	Order no.	List price EUR
		100	0312 101	3.30
		150	0312 103	4.70
		200	0312 105	5.70
		250	0312 107	7.00
		300	0312 108	8.40

0313 Spring external calipers



Model

- External caliper with quick release set screw
- Special steel
- Quick release set screw and spring are burnished

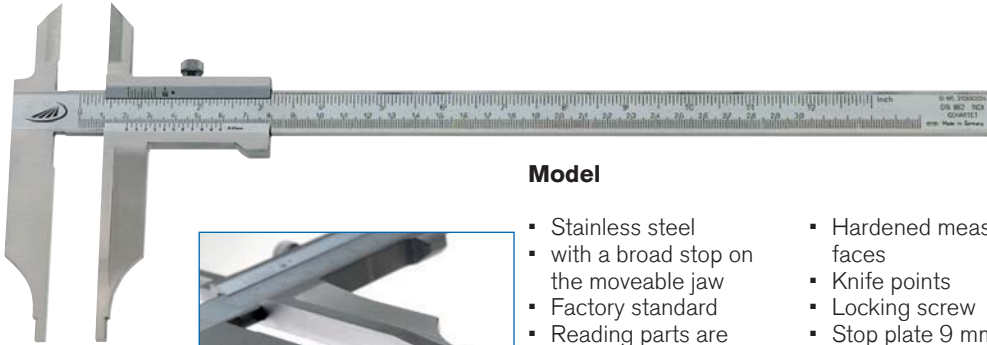
Delivery

- Cardboard box

⌘	¼	Length mm	Order no.	List price EUR
		100	0313 101	3.30
		150	0313 103	4.70
		200	0313 105	5.70
		250	0313 107	7.00
		300	0313 108	8.40



0343 Marking calipers

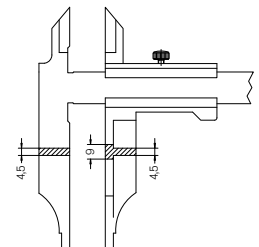


Model

- Stainless steel
- with a broad stop on the moveable jaw
- Factory standard
- Reading parts are satin chrome finished
- Hardened measuring faces
- Knife points
- Locking screw
- Stop plate 9 mm

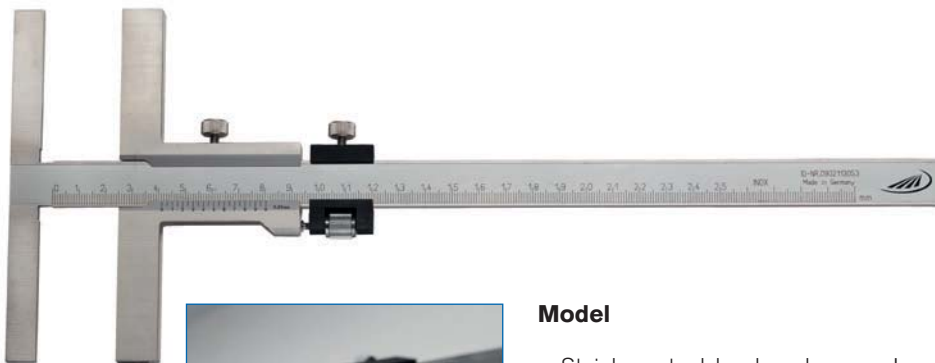
Delivery

- Cardboard box



✕	📏	Measuring range	Reading	Rail cross-section	Jaw length	Jaws for inside measurements	Order no.	List price
		mm	mm	mm	mm	mm		EUR
		0 - 250	0.05	20 x 5	90	10	0343 501	255.00
		0 - 300	0.05	20 x 5	90	10	0343 503	287.00

0344 Marking calipers



Model

- Stainless steel, hardened
- Long T-shaped marking edge
- Factory standard
- Reading parts are satin chrome finished
- Low set master scale
- Fine adjustment
- Locking screw

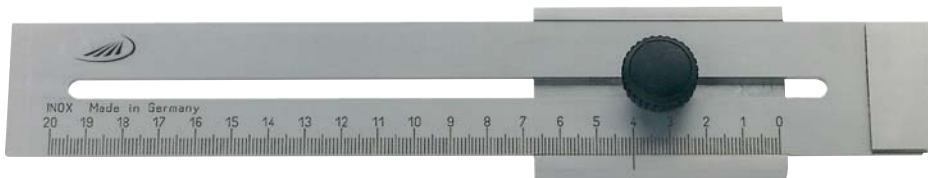
Delivery

- Cardboard box

✕	📏	Measuring range	Reading	Rail cross-section	Length of beam	Order no.	List price
		mm	mm	mm	mm		EUR
		0 - 160	0.05	20 x 5	135	0344 501	125.00
		0 - 250	0.05	20 x 5	135	0344 502	159.00
		0 - 300	0.05	20 x 5	160	0344 503	202.00
		0 - 500	0.05	25 x 6	160	0344 505	428.00



0321 Marking gauges



Model

- Flat, stable construction
- Stainless steel, chrome finished
- Locking screw
- Hardened stop face
- mm graduated scale
- Factory standard

Delivery

- Cardboard box

⌘	⌘	Measuring range mm	Reading mm	Rail cross-section mm	Order no.	List price EUR
		0 - 200	1	40	0321 301	21.80
		0 - 250	1	40	0321 302	24.40
		0 - 300	1	40	0321 303	24.90
		0 - 500	1	40	0321 305	47.30

0323 Marking gauges



0323 308

Model

- Stainless steel
- Locking screw
- For marking by scale as well as for marking of 45° - or 90° - mitres
- mm graduation
- Factory standard

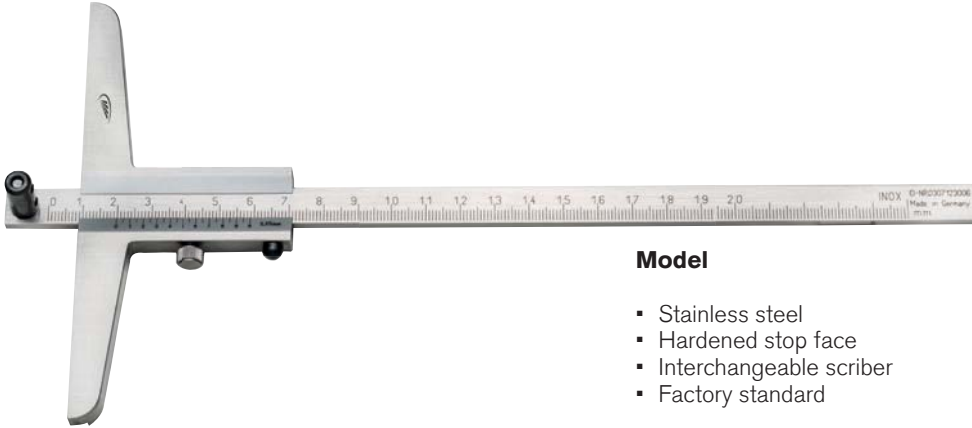
Delivery

- Cardboard box

⌘	⌘	Measuring range mm	Reading mm	Rail cross-section mm	Order no.	List price EUR
		100	1	40	0323 308	16.20
		200	1	40	0323 318	20.70



0318 Marking calipers



Model

- Stainless steel
- Hardened stop face
- Interchangeable scriber
- Factory standard

Delivery

- Cardboard box

⌘	⚙	Measuring range mm	Reading mm	Rail cross-section mm	Length of beam mm	Order no.	List price EUR
		0 - 200	0.05	12 x 4	130	0318 201	148.00
		0 - 300	0.05	12 x 4	130	0318 203	157.00

0318 Replacement scribers



⌘	⚙	Material	Order no.	List price EUR
		Special steel, hardened	0318 210	12.50
		Carbide-tipped	0318 211	40.50

0322 Marking gauges with guide roll



Model

- Stainless steel, hardened
- Reading parts are satin chrome finished
- Guide roll
- Locking screw
- Interchangeable scriber made of hardened steel
- Factory standard

Delivery

- Cardboard box

⌘	⚙	Measuring range mm	Reading mm	Order no.	List price EUR
		0 - 200	0.05	0322 501	24.90
		0 - 400	0.05	0322 503	39.00

Accessories	Order no.	List price EUR
Replacement scribers	0322 510	4.40



0319 Marking gauges with a round measuring beam



Model

- With guide groove
- Stainless steel beam
- Slide bars are made of steel, rectangular stop plate
- Scriber interchangeable, made of hardened steel
- mm graduation
- Factory standard

Delivery

- Cardboard box

»	¼	Measuring range mm	Rail diameter mm	Reading mm	Order no.	List price EUR
Without fine adjustment						
		0 - 200	12	0.1	0319 001	35.30
		0 - 300	12	0.1	0319 002	44.20
		0 - 400	12	0.1	0319 003	63.00
		0 - 500	12	0.1	0319 004	85.00
With fine adjustment						
		0 - 200	12	0.1	0319 101	45.20
		0 - 300	12	0.1	0319 102	53.00
		0 - 400	12	0.1	0319 103	73.00
		0 - 500	12	0.1	0319 104	92.00

0320 Marking gauges with a round measuring beam



Model

- With guide groove
- Stainless steel beam
- Slide bars are made of steel, rectangular stop plate
- Scriber interchangeable, made of hardened steel
- mm graduation

Delivery

- Cardboard box

»	¼	Measuring range mm	Rail diameter mm	Reading mm	Order no.	List price EUR
		0 - 300	12	0.1	0320 001	44.20
		0 - 500	12	0.1	0320 002	85.00
Hardened stop plate						
		0 - 300	12	0.1	0320 101	69.00
		0 - 500	12	0.1	0320 102	108.00

0319 Replacement scribers



»	¼	Material	Order no.	List price EUR
		Special steel, hardened	0319 010	3.70
		Carbide	0319 510	38.40



0345 / 0347 Analogue height and scribing gauges



0345 522

0347 522

Model

- Measuring beam is made from stainless steel
- Vernier and scale are satin chrome finished
- Parallax-free reading
- Setting screw
- Fine adjustment
- Accurate fine adjustment on gear rack and setting wheel with pinion
- Steel base with dirt grooves
- Scribing possible from base plate level
- Factory standard

Delivery

- With exchangeable scriber, carbide tipped



② Fine adjustment on gear rack

✕	⊗	Measuring range mm	Reading mm	Base dimensions mm	Rail cross-section mm	Order no.	List price EUR
With fine adjustment							
		0 - 300	0.02	145 x 90 x 44	30 x 12	0345 522	373.00
		0 - 600	0.02	189 x 118 x 44	30 x 12	0345 530	467.00
		0 - 1000	0.02	189 x 118 x 44	30 x 12	0345 534	643.00
With pinion							
		0 - 300	0.02	145 x 90 x 44	30 x 12	0347 522	477.00
		0 - 600	0.02	189 x 118 x 44	30 x 12	0347 530	602.00
		0 - 1000	0.02	189 x 118 x 44	30 x 12	0347 534	830.00

0345 Replacement scribers for 0345 / 0347



Model

- Carbide tipped
- Packing: individually packed

✕	⊗	Length mm	Material	Order no.	List price EUR
		75	Carbide-tipped	0345 910	119.00
		150	Carbide-tipped	0345 912	132.00



0345 / 0347 DIGI-MET® Height and scribing gauges



Model

- Measuring beam is made from stainless steel
- LCD-display 11 mm
- Setting screw
- Fine adjustment
- Accurate fine adjustment on gear rack and setting wheel with pinion
- Steel base with dirt grooves
- Scribing possible from base plate level
- Factory standard

Functions



- ON / OFF
- Set to zero at any point
- mm / inch switching
- PRESET-Function (setting a numerical value)
- Hold
- ABS (display can be set to zero without losing the Preset value)
- Reversal of counting direction
- Factor input
- Data output Proximity USB + RS232

Delivery

- With interchangeable scribing jaws, carbide tipped



② Fine adjustment on gear rack

⌘	⌘	Measuring range mm	Reading mm	Base dimensions mm	Rail cross-section mm	Order no.	List price EUR
With fine adjustment							
		300	0.01	145 x 90 x 44	30 x 12	0345 722	539.00
		600	0.01	189 x 118 x 44	30 x 12	0345 730	674.00
		1000	0.01	189 x 118 x 44	30 x 12	0345 734	934.00
With pinion							
		300	0.01	145 x 90 x 44	30 x 12	0347 722	664.00
		600	0.01	189 x 118 x 44	30 x 12	0347 730	830.00
		1000	0.01	189 x 118 x 44	30 x 12	0347 734	1142.00

Accessories

Accessories	Order no.	List price EUR
Battery, 3V-Lithium, CR 2032	0220 704	3.70
Data cable Proximity to USB	1998 760	141.00

0345 Replacement scribers for 0345 / 0347



Model

- Carbide tipped
- Packing: individually packed

⌘	⌘	Length mm	Material	Order no.	List price EUR
		75	Carbide-tipped	0345 910	119.00
		150	Carbide-tipped	0345 912	132.00



0349 DIGI-MET® Height gauges with sliding scriber



0349 722*

Model

- Measuring beam is made from special steel
- LCD-display 11 mm
- Fine adjustment
- Setting screw
- Steel base with dirt grooves
- Scribing possible from base plate level

Functions

- ON / OFF
- Set to zero at any point
- mm / inch switching
- PRESET-Function (setting a numerical value)
- Hold
- ABS (display can be set to zero without losing the Preset value)
- Reversal of counting direction
- Factor input
- Data output Proximity USB + RS232

Delivery

- With interchangeable scribing jaws, carbide tipped

Measuring range mm	Reading mm	Base dimensions mm	Rail cross-section mm	Order no.	List price EUR
0 - 300	0.01	145 x 90 x 44	30 x 12	0349 722	570.00
0 - 600	0.01	189 x 118 x 44	30 x 12	0349 730	726.00
0 - 1000	0.01	189 x 118 x 44	30 x 12	0349 734	986.00

Accessories

Accessories	Order no.	List price EUR
Battery, 3V-Lithium, CR 2032	0220 704	3.70
Data cable Proximity to USB	1998 760	141.00

*Figure does not show standard delivery content

0349 Replacement scribers for 0349



Length mm	Material	Order no.	List price EUR
Cranked scriber, for marking operations from base			
270	Hardened steel	0349 912	128.00
270	Carbide tipped	0349 916	162.00
Straight scriber			
270	Hardened steel	0349 910	109.00
270	Carbide tipped	0349 914	142.00



0331 Replacement scriber for height gauges not any longer included in our catalogue



Order no. Scriber	Order no. Height-gauge	0330...	0331...	0336...	0338...	0340...	0342...	Material	Length mm	Shaft mm	List price EUR
0331 011			●		●			straight, hardened steel	270	8 x 8	109.00
0331 030			●					cranked, hardened steel	270	8 x 8	128.00
0331 111			●		●			straight, carbide tipped	270	8 x 8	142.00
0331 130			●					cranked, carbide tipped	270	8 x 8	162.00
0334 101		●		●		●	●	straight, carbide tipped	65	8 x 8	72.00
0334 102		●		●		●	●	straight, carbide tipped	75	-	119.00
0334 105				●				straight, carbide tipped	120	-	87.00
0334 106				●				straight, carbide tipped	150	-	132.00
0338 354					●			cranked, hardened steel	270	8 x 8	140.00
0338 357					●			cranked, carbide tipped	270	8 x 8	182.00