



SAMPLES CALIPER

NEW

Cross points for internal measurement

Locking screw

Slide

Beam

Rectangular depth gauge

Vernier scales

Line scales

Moveable measuring jaw

Fixed measuring jaw

SOFT-SLIDE
smooth running due to twice lapped guide surface

Integrated data transmission (Integrated Wireless)

Easy to read LCD display

Round depth gauge

Intuitive menu guidance

QuickLock Function: Keylock saves the zero setting

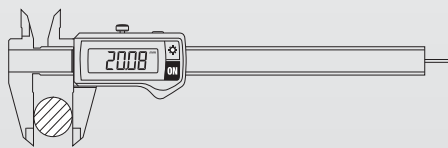
QuickStart Electronic: Moving the slider starts your measurement

NEW

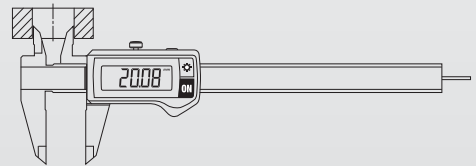
1326i
with integrated wireless

Possible application for **calipers**

External measurement



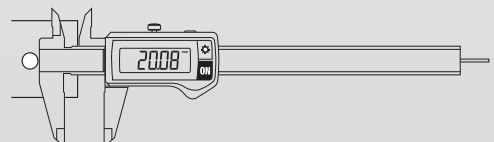
Internal measurement



Depth measurement



Step (distance) measurement



1. CHAPTER CALIPERS

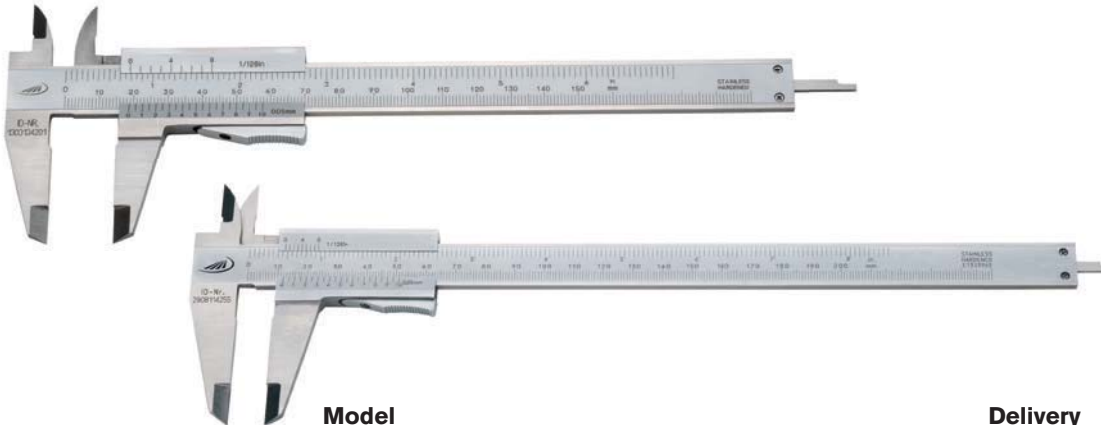
14	Pocket vernier calipers
20	Pocket calipers / Tyre profile depth gauge
21	Pocket calipers with dial
22	Measuring tool sets
24	Digital pocket calipers
30	Digital pocket calipers for specific measuring tasks
36	Steel gauge block inspection set for calipers
37	Vernier workshop calipers
44	Workshop caliper with dial / Lightweight workshop calipers
45	Analogue caliper with cross points / gripper points
46	Digital workshop calipers
57	Contraction vernier calipers
59	Calipers for external locking grooves
60	Brake drum vernier calipers / Brake disc inspection gauges
61	Calipers for internal locking grooves
62	Calipers for 3/5 point measurement / for milling tool setting
64	Chamfer / Radius gauges
64	Gear tooth calipers
65	Vernier depth gauges
69	Digital depth gauges
77	Digital depth gauges with interchangeable inserts
80	Digital depth gauge for one-handed operation
82	Digital mounting scales
83	Wooden cases



0184 Pocket vernier calipers



DIN
862



Model

- Stainless steel
- Reading parts have a satin chrome finish
- DIN 862
- Inside cross points
- Low-set master scale
- Four way measurement
- Includes thread table

Delivery

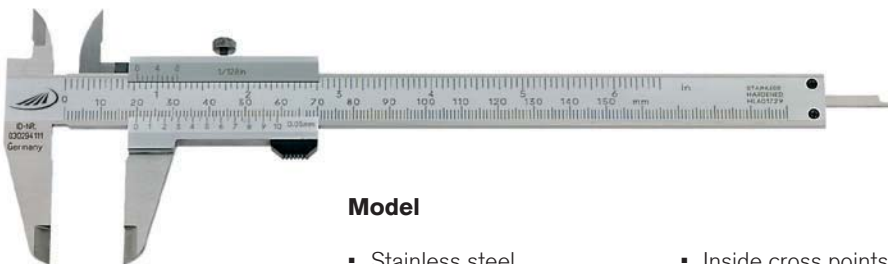
- Imitation leather case

✂	📏	Measuring range		Jaw length		Reading		Error limit	Depth gauge	Order no.	List price EUR
		mm	inch	mm	inch	mm	inch				
With thumb clamp											
		0 - 150	0 - 6	40	1.6	0.05	1/128	0.05	rect.	0184 501	25.00
		0 - 200	0 - 8	40	1.6	0.05	1/128	0.05	rect.	0184 505	33.00
		0 - 300	0 - 12	50	2.0	0.05	1/128	0.05	none	0184 508	49.00

0185 Pocket vernier calipers



DIN
862



Model

- Stainless steel
- Reading parts have a satin chrome finish
- DIN 862
- Inside cross points
- Low-set master scale
- Four way measurement
- Includes thread table

Delivery

- Imitation leather case

✂	📏	Measuring range		Jaw length		Reading		Error limit	Depth gauge	Order no.	List price EUR
		mm	inch	mm	inch	mm	inch				
With locking screw											
		0 - 100	0 - 4	30	1.2	0.05		0.05	rect.	0185 500	19.50
		0 - 150	0 - 6	40	1.6	0.05	1/128	0.05	rect.	0185 501	25.00
		0 - 200	0 - 8	50	2.0	0.05	1/128	0.05	rect.	0185 505	33.00
		0 - 300	0 - 12	60	2.4	0.05	1/128	0.05	none	0185 508	49.00



HELIOS · PREISSER

0188 / 0189 Pocket vernier calipers



DIN 862

1



Model

- Stainless steel
- Reading parts have a satin chrome finish
- DIN 862
- Inside cross points
- Low-set master scale
- Four way measurement
- Includes thread table

Delivery

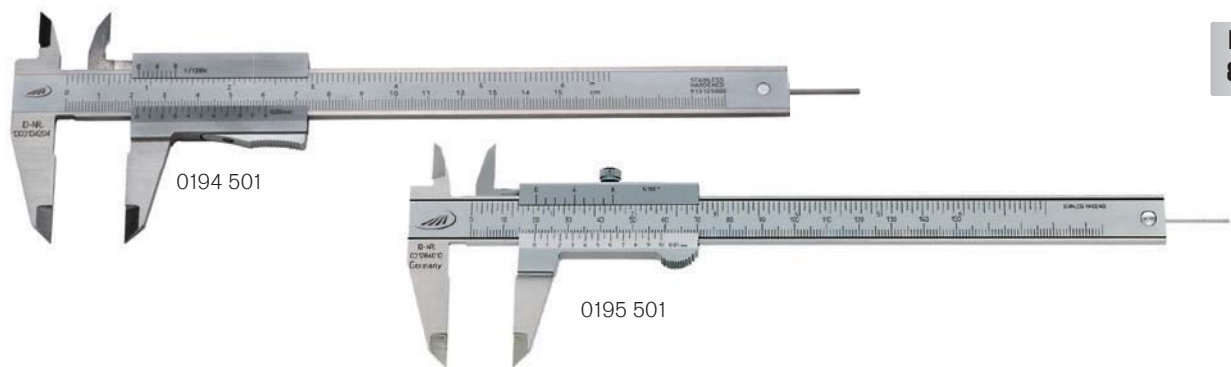
- Imitation leather case

Icon	Measuring range		Jaw length		Reading		Error limit	Depth gauge	Order no.	List price
	mm	inch	mm	inch	mm	inch				
With thumb clamp	0 - 150	0 - 6	40	1.6	0.05	1/128	0.05	rect.	0188 501	22.00
With locking screw	0 - 150	0 - 6	40	1.6	0.05	1/128	0.05	rect.	0189 501	22.00

0194 / 0195 Pocket vernier calipers with round depth rod



DIN 862



Model

- Stainless steel
- Reading parts have a satin chrome finish
- DIN 862
- Inside cross points
- Low-set master scale
- Four way measurement
- Includes thread table

Delivery

- Imitation leather case

Icon	Measuring range		Jaw length		Reading		Error limit	Depth gauge	Order no.	List price
	mm	inch	mm	inch	mm	inch				
With thumb clamp	0 - 150	0 - 6	40	1.6	0.05	1/128	0.05	round 1.6	0194 501	26.00
With locking screw	0 - 150	0 - 6	40	1.6	0.05	1/128	0.05	round 1.6	0195 501	26.00



0196 Pocket vernier calipers with reading 0.02 mm



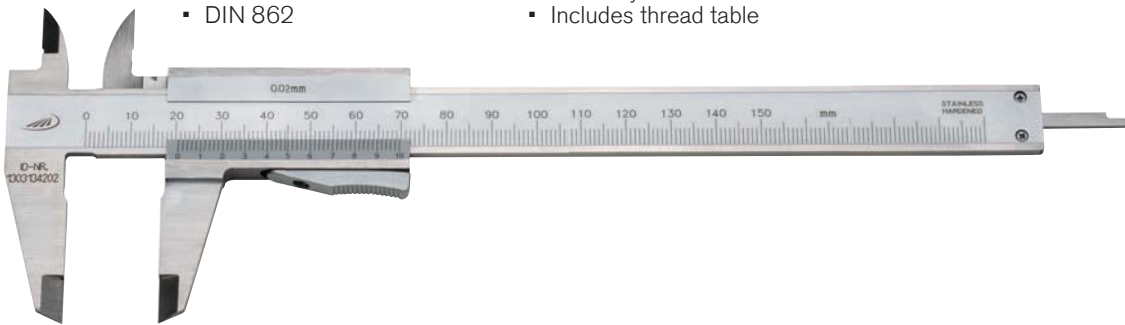
Model

- Stainless steel
- Reading parts have a satin chrome finish
- DIN 862
- Inside cross points
- Low-set master scale
- Four way measurement
- Includes thread table

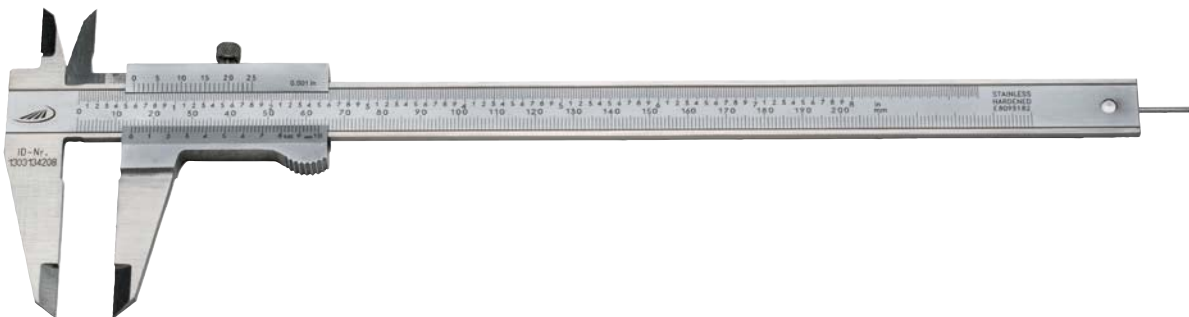
Delivery

- Imitation leather case

**DIN
862**



	Measuring range		Jaw length		Reading	Error limit	Depth gauge	Order no.	List price
	mm	inch	mm	inch					
With thumb clamp	0 - 150	0 - 6	40	1.6	0.02	0.03	rect.	019650 105	24.10



	Measuring range		Jaw length		Reading	Error limit	Depth gauge	Order no.	List price
	mm	inch	mm	inch					
With locking screw	0 - 200	0 - 8	50	2.0	0.02	0.03	round 1.6	019650 516	34.50

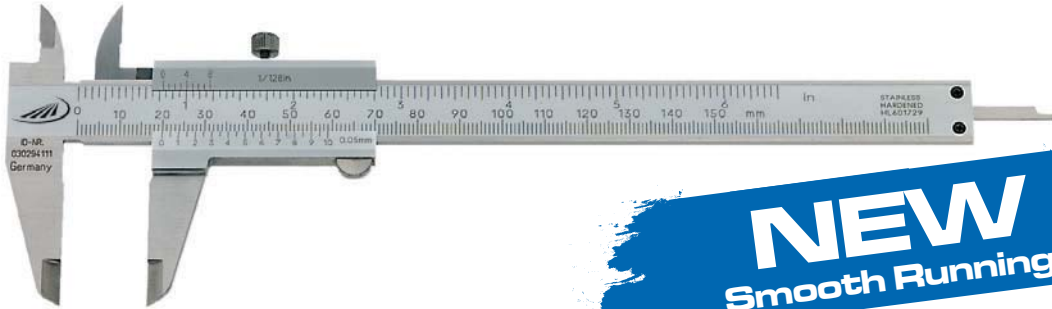


	Measuring range		Jaw length		Reading	Error limit	Depth gauge	Order no.	List price
	mm	inch	mm	inch					
With locking screw	0 - 150	0 - 6	40	1.6	0.02	0.03	rect.	019650 116	24.10



HELIOS · PREISSER

0197 Pocket vernier calipers SOFT - SLIDE



DIN 862

1

NEW
Smooth Running

Model

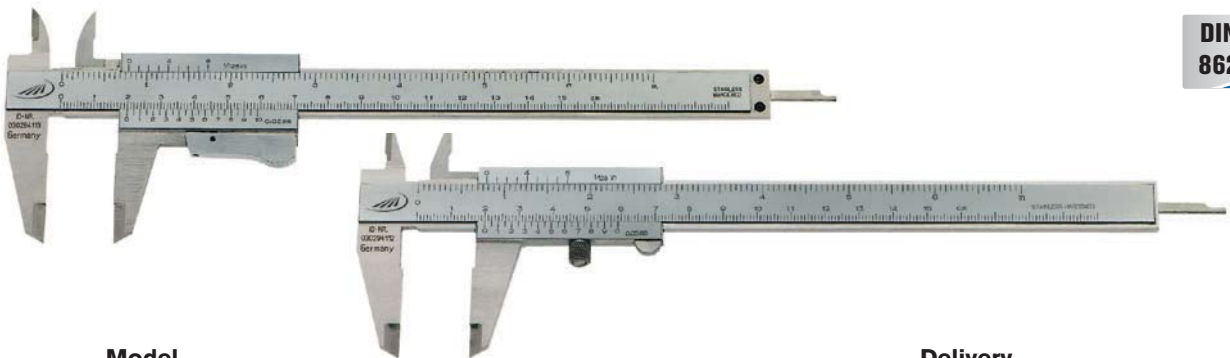
- Smooth running due to twice lapped guide surface
- Stainless steel
- Reading parts have a satin chrome finish

Delivery

- DIN 862
- Inside cross points
- Low-set master scale
- Four way measurement
- Includes thread table
- Imitation leather case

✕	%	Measuring range		Jaw length		Reading		Error limit	Depth gauge	Order no.	List price EUR
		mm	inch	mm	inch	mm	inch	mm	mm		
		0 - 150	0 - 6	40	1.6	0.05		0.05	rect.	0197 501	32.00
		0 - 200	0 - 8	50	2.0	0.05		0.05	rect.	0197 505	75.00
		0 - 300	0 - 12	60	2.4	0.05		0.05	none	0197 508	149.00

0198 / 0199 Pocket vernier calipers with parallax-free reading



DIN 862

Model

- **Parallax-free reading**
- Stainless steel
- Reading parts have a satin chrome finish
- DIN 862

Delivery

- Inside cross points
- Four way measurement
- Includes thread table
- Imitation leather case

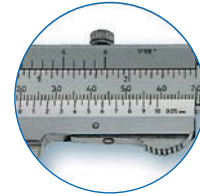
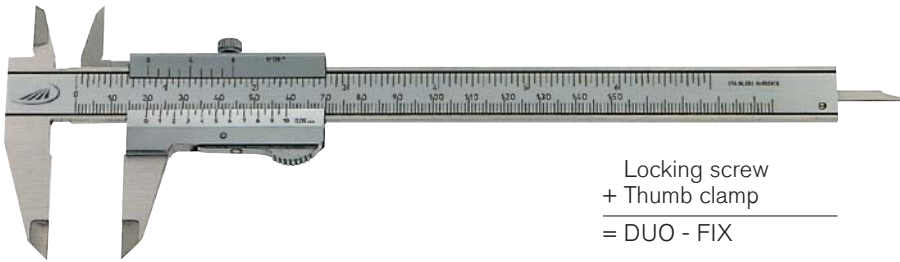
✕	%	Measuring range		Jaw length		Reading		Error limit	Depth gauge	Order no.	List price EUR
		mm	inch	mm	inch	mm	inch	mm	mm		
With thumb clamp											
		0 - 150	0 - 6	40	1.6	0.05	1/128	0.05	rect.	0198 501	29.50
With locking screw											
		0 - 150	0 - 6	40	1.6	0.05	1/128	0.05	rect.	0199 501	29.50



0190 Pocket vernier caliper DUO-FIX



DIN
862



Locking screw
+ Thumb clamp
= DUO - FIX

Model

- Stainless steel
- Reading parts have a satin chrome finish
- DIN 862
- Thumb clamp **and** locking screw
- Inside cross points
- Low-set master scale
- Four way measurement
- Includes thread table

Delivery

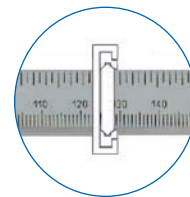
- Imitation leather case

✕	📏	Measuring range		Jaw length		Reading		Error limit	Depth gauge	Order no.	List price
		mm	inch	mm	inch	mm	inch	mm	mm		EUR
		0 - 150	0 - 6	40	1.6	0.05	1/128	0.05	rect.	0190 501	26.00

0203 Precision pocket vernier caliper PRISMA



DIN
862



Model

- **Parallax-free reading**
- **Double prisma guide with excellent sliding characteristics**
- Stainless steel
- Reading parts have a satin chrome finish
- DIN 862
- Low-set locking screw
- Inside cross points
- Four way measurement
- Includes thread table

Delivery

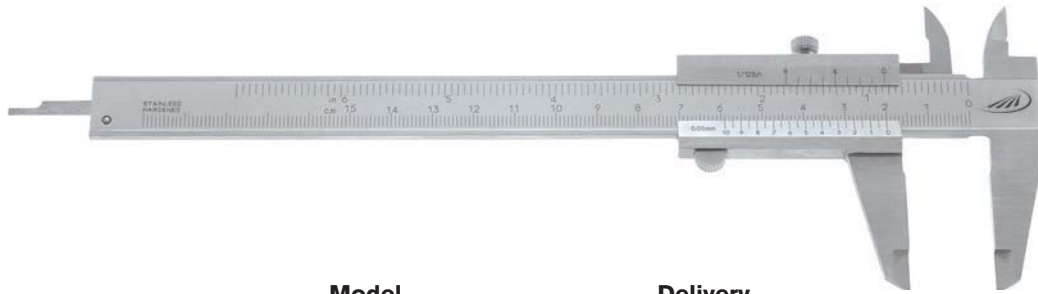
- Imitation leather case

✕	📏	Measuring range		Jaw length		Reading		Error limit	Depth gauge	Order no.	List price
		mm	inch	mm	inch	mm	inch	mm	mm		EUR
		0 - 150	0 - 6	40	1.6	0.05	1/128	0.05	rect.	0203 501	49.50



HELIOS · PREISSER

0182 Pocket vernier caliper for lefthanded



1

Model

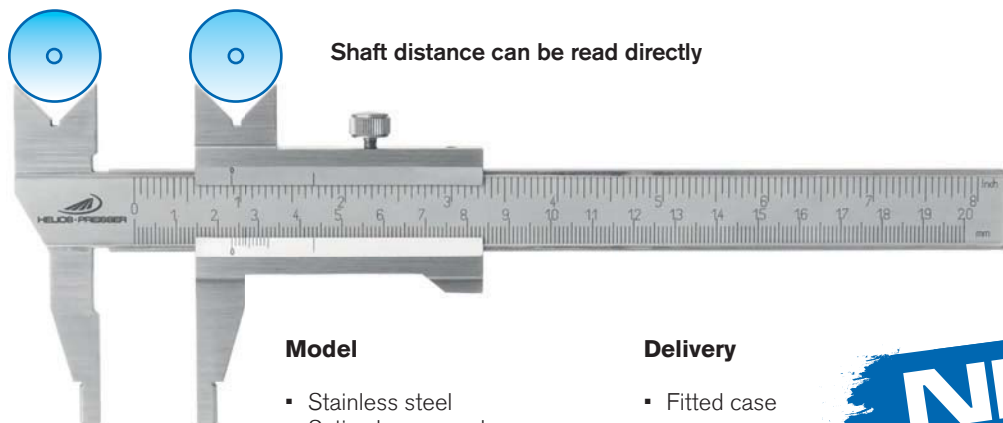
- Stainless steel
- Reading parts have a satin chrome finish
- Locking screw
- Factory standard

Delivery

- Imitation leather case

☒ ☒	Measuring range		Jaw length		Reading		Error limit	Depth gauge	Order no.	List price EUR
	mm	inch	mm	inch	mm	inch	mm	mm		
With locking screw										
	0 - 150	0 - 6	40	1.6	0.05	1/128	0.05	rect.	0182 501	33.20

0261 Shaft distance caliper



Model

- Stainless steel
- Satin chrome scale
- Factory standard
- Main intervals are located deeper
- Stepped jaws for inside measurement: 5 mm

Delivery

- Fitted case

NEW

☒ ☒	Measuring range		Jaw length	Reading	Order no.	List price EUR
	mm	inch	mm	mm		
	0 - 150	0 - 6	40	0.05	0261 516	215.00



0180 Pocket caliper



Model

- Made from hard brass
- Factory standard

Delivery

- Cardboard box

	Measuring range		Jaw length		Reading		Order no.	List price EUR
	mm	inch	mm	inch	mm	inch		
	0 - 100	0 - 6	25	1.0	0.1	1/16	0180 320	6.80

0180 Pocket caliper



Model

- Made from hard brass
- Stepped jaw 5 mm for internal measurement
- Factory standard

Delivery

- Cardboard box

	Measuring range		Jaw length		Reading		Order no.	List price EUR
	mm	inch	mm	inch	mm	inch		
	0 - 100	0 - 6	25	1.0	0.1	1/16	0180 330	6.80

0180 Tyre profile depth gauge



Model

- Made from hard brass
- Factory standard

Delivery

- Cardboard box

	Measuring range		Jaw length		Reading		Order no.	List price EUR
	mm	inch	mm	inch	mm	inch		
	0 - 30	0 - 1.18	30	1.2	0.1	1/16	0180 310	4.20



0216 Dial calipers with long inside cross points



1

Model

- Stainless steel
- Satin chrome scale
- Factory standard
- Locking screw
- Inside cross points
- One pointer revolution = 10 mm
- Adjustable dial face

Delivery

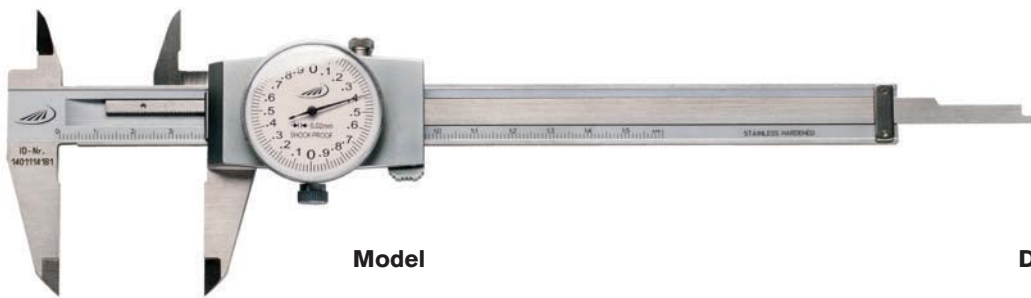
- Fitted case

✕	Measuring range		Jaw length		Reading		Error limit	Depth gauge	Order no.	List price
	mm	inch	mm	inch	mm	inch				
	0 - 150	0 - 6	40	1.6	0.05	1/128	0.05	rect.	0216 521	EUR 352.00

0217 / 0218 Dial calipers



DIN 862



Model

- Stainless steel
- Satin chrome scale
- DIN 862
- Locking screw
- Inside cross points
- One pointer revolution with 0217 = 2 mm with 0218 = 1 mm
- Four way measurement

Delivery

- Fitted case

✕	¼	Measuring range		Jaw length		Reading	Error limit	Depth gauge	Order no.	List price
		mm	inch	mm	inch					
▪		0 - 150	0 - 6	40	1.6	0.02	0.03	rect.	0217 501	EUR 65.00
▪		0 - 200	0 - 8	40	1.6	0.02	0.03	rect.	0217 502	131.00
▪		0 - 150	0 - 6	40	1.6	0.01	0.03	rect.	0218 501	87.00



0212 Quality measuring tool set, 8 piece



**INCLUDING
ONE POCKET CALIPER
OF YOUR CHOICE**



Content

- Pocket calipers in 5 different types of choice
- External micrometer with carbide measuring faces, measuring range 0-25 mm, reading 0.01 mm
- Flexible steel rule, stainless steel, measuring range 200 mm, graduation mm / mm, 13 x 0.5 mm
- Knife square, hardened, DIN 875/00, 100 x 70 mm, with non-glare knife edge
- Knife edge, hardened and ground, DIN 874/00, length 100 mm
- Scriber, carbide tipped, hexagonal handle made of one piece, with pocket clip, length 180 mm
- Radius gauge, special steel, 17 sheets, concave and convex, with locking nut, measuring range 1.0 – 7.0 mm
- Screw pitch gauge, combined metric ISO- and Whitworth thread, 48 blades, increments 0.4 – 7.0 / 4 – 62

Shipment

- Wooden case

Marked *	Measuring range	Reading		Depth gauge	Order no.	List price
		mm	inch			
	Set with pocket caliper DUO - FIX (0190 501)					
	0 - 150	0.05	1/128	rect.	0212 520	128.00
	Set with DIGI-MET® Pocket caliper (1320 416 / 417)					
	0 - 150	0.01	.0005	round 1.5	0212 522	187.00
	0 - 150	0.01	.0005	rect.	0212 524	187.00
	Set with DIGI-MET® Pocket caliper IP67 (1326 416 / 417)					
	0 - 150	0.01	.0005	round 1.5	0212 526	213.00
	0 - 150	0.01	.0005	rect.	0212 528	213.00



DIGI-MET® QuickStart Electronic



QuickStart-Electronic with the QuickLock-Function for only one zero setting

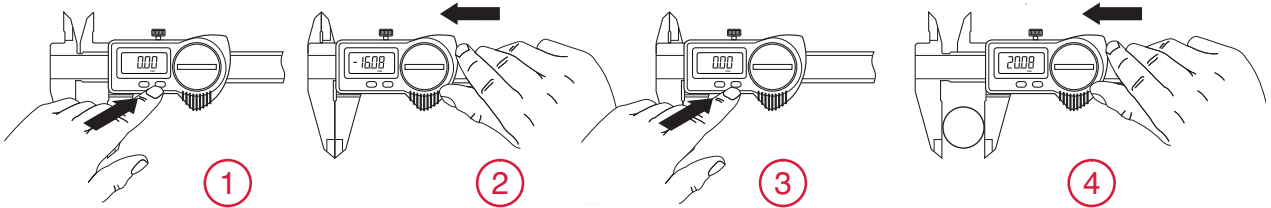
All digital calipers with the QuickStart-Electronic also have the **QuickLock** Function. Only set the zero position once, zero position remains stored for all further measurements. When the **QuickLock** Function is activated a lock symbol appears in the display, this ensures that the zero position is protected against any operating error caused by accidental usage of the operating keys (keys are locked). The caliper is immediately ready for measurement; once the caliper is switched ON or the slide is moved, the display is automatically activated.

The need to reset to zero as with a conventional caliper once it is switched on is obsolete.

1

Conventional

- ① Switch ON
- ② Close the measuring jaws
- ③ Set to zero
- ④ Result of measurement



QuickStart Electronic

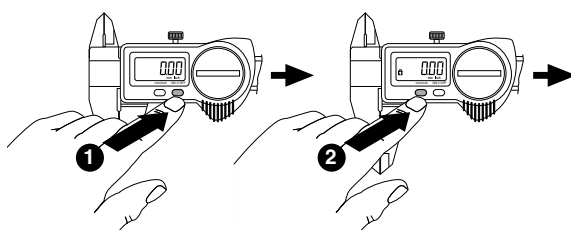


Press the ON key or move the slide

DIGI-MET® QuickLock-Function



- 1. Set to zero
- 2. Activate the QuickLock Function



Advantages of the QuickLock Function

- The caliper is immediately ready for measurement
- Lock symbol appears in the display. This ensures that the zero position is protected against any operating error caused by accidental usage of the operating keys (keys are locked)



1326i DIGI-MET® Pocket calipers IP67 with integrated wireless



NOVELTY
Data transmission without cable
or radio module

**integrated
IW wireless**



132641 660

Model

- Measuring system is insensitive to fluids and cooling agents
- Protection class IP67
- Stainless steel
- LCD display 11 mm
- DIN 862
- Housing and operating keys have an excellent chemical resistance
- Locking screw
- Inside cross points
- Four way measurements

Functions

- ON / OFF
- Quick-Start**
- Quick-Lock** (key lock)
- Set to zero at any point
- mm / inch switching
- PRESET-Function (setting a numerical value)
- Integrated Wireless

Delivery

- Plastic case

Marked	Measuring range		Jaw length		Reading		Error limit	Depth gauge	Order no.	List price EUR
	mm	inch	mm	inch	mm	inch				
▪	0 - 150	0 - 6	40	1.6	0.01	.0005	0.03	round 1.5	132641 660	218.00
▪	0 - 150	0 - 6	40	1.6	0.01	.0005	0.03	rect.	132641 760	218.00
▪	0 - 200	0 - 8	50	2.0	0.01	.0005	0.03	rect.	132641 860	279.00
▪	0 - 300	0 - 12	65	2.5	0.01	.0005	0.03	none	132642 260	337.00



1998780

Accessories

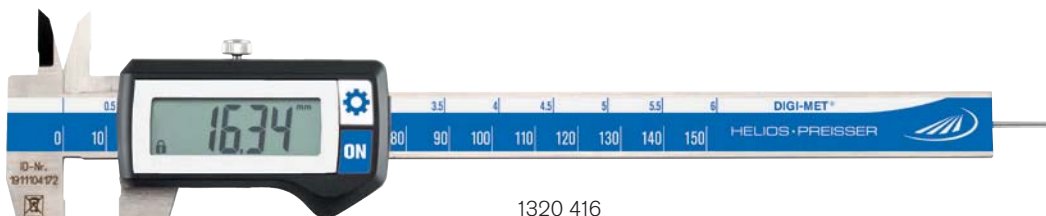
	Order no.	List price EUR
Battery, 3V-Lithium, CR 2032	0220 704	3.70
i-Stick USB-receiver for Integrated Wireless	1998 780	97.00

Integrated Wireless is intended to be sold in the EU only



HELIOS · PREISSER

1320 DIGI-MET® Pocket calipers



1320 416



1320 517



Model

- Inductive measuring system, resistant to damp and sweat
- Stainless steel
- LCD display 11 mm without data output, 7.5 mm with data output
- DIN 862
- Locking screw
- Inside cross points

- Four way measurement with measuring ranges 150 and 200 mm
- Three way measurement with measuring range 300 mm

Functions

- ON / OFF
- **Quick-Start**
- **Quick-Lock** (key lock)
- Set to zero at any point
- mm / inch switching
- **PRESET-Function** (setting a numerical value)

Delivery

- Plastic case

Icon	Measuring range		Jaw length		Reading		Error limit	Depth gauge	Order no.	List price
	mm	inch	mm	inch	mm	inch				
Without data output										
▪	0 - 150	0 - 6	40	1.6	0.01	.0005	0.03	round 1.5	1320 416	109.00
▪	0 - 150	0 - 6	40	1.6	0.01	.0005	0.03	rect.	1320 417	109.00
With DATA VARIABLE										
▪	0 - 150	0 - 6	40	1.6	0.01	.0005	0.03	round 1.5	1320 516	142.00
▪	0 - 150	0 - 6	40	1.6	0.01	.0005	0.03	rect.	1320 517	142.00
▪	0 - 200	0 - 8	50	2.0	0.01	.0005	0.03	rect.	1320 519	179.00
▪	0 - 300	0 - 12	65	2.5	0.01	.0005	0.03	none	1320 522	230.00
With DATA VARIABLE, with extra long cross tips (40 mm)										
▪	0 - 150	0 - 6	40	1.6	0.01	.0005	0.03	round 1.5	1320 518	384.00



1998720

1998501

1997501

Accessories

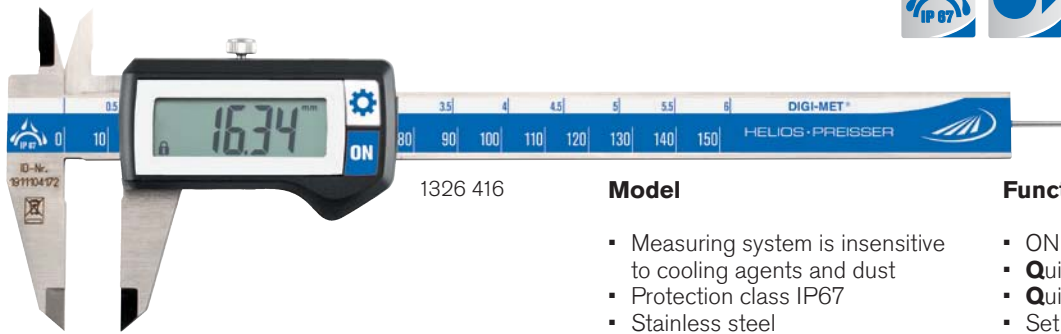
	Order no.	List price
Battery, 3V-Lithium, CR 2032	0220 704	3.70
Data cable DATA VARIABLE to digimatic	1998 501	61.00
Data cable DATA VARIABLE to RS232	1997 501	48.00
Data cable DATA VARIABLE to USB	1998 720	69.00



1326 DIGI-MET® Pocket calipers IP67



DIN
862



1326 416

Model

- Measuring system is insensitive to cooling agents and dust
- Protection class IP67
- Stainless steel
- LCD display 11 mm
- DIN 862
- Housing and operating keys have an excellent chemical resistance
- Locking screw
- Inside cross points
- Four way measurement with measuring ranges 150 and 200 mm
- Three way measurement with measuring range 300 mm

Functions

- ON / OFF
- Quick-Start
- Quick-Lock (key lock)
- Set to zero at any point
- mm / inch switching
- PRESET-Function (setting a numerical value)

Delivery

- Plastic case



Video
electronic

✕	%	Measuring range		Jaw length		Reading		Error limit	Depth gauge	Order no.	List price EUR
		mm	inch	mm	inch	mm	inch				
▪		0 - 150	0 - 6	40	1.6	0.01	.0005	0.03	round 1.5	1326 416	158.00
▪		0 - 150	0 - 6	40	1.6	0.01	.0005	0.03	rect.	1326 417	158.00
▪		0 - 200	0 - 8	50	2.0	0.01	.0005	0.03	rect.	1326 418	219.00
▪		0 - 300	0 - 12	65	2.5	0.01	.0005	0.03	none	1326 422	277.00
With carbide-tipped measuring jaws											
▪		0 - 150	0 - 6	40	1.6	0.01	.0005	0.03	round 1.5	1326 914	329.00

Accessories

Battery, 3V-Lithium, CR 2032

Order no.

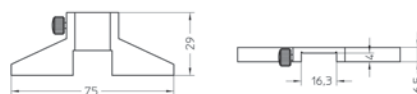
0220 704

List price

EUR

3.70

0220 Additional depth measuring base



Model

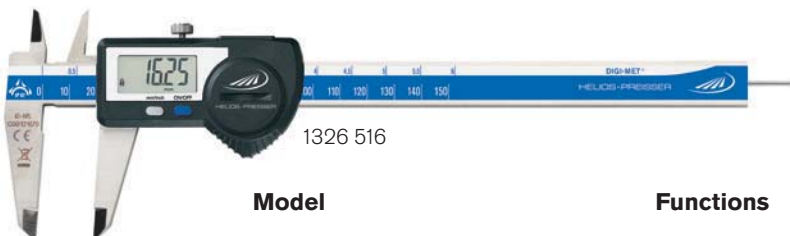
- Stainless steel
- Bridge length: 75 mm
- Dimensions: 75 x 6.5 mm

✕	%	Order no.	List price EUR
		0220 705	21.50



HELIOS · PREISSER

1326 DIGI-MET® Pocket calipers IP67 with data output



1326 516



Model

- Measuring system is insensitive to fluids and cooling agents
- Protection class IP67
- Stainless steel
- LCD display 7.5 mm
- DIN 862
- Locking screw
- Inside cross points
- Four way measurement

Functions

- ON / OFF
- Quick-Start**
- Quick-Lock** (key lock)
- Set to zero at any point
- mm / inch switching
- Variable data output RS 232 + Digimatic + USB

Delivery

- Plastic case

☒	Measuring range		Jaw length		Reading		Error limit	Depth gauge	Order no.	List price EUR
	mm	inch	mm	inch	mm	inch	mm	mm		
▪	0 - 150	0 - 6	40	1.6	0.01	.0005	0.03	round 1.5	1326 516	158.00
▪	0 - 150	0 - 6	40	1.6	0.01	.0005	0.03	rect.	1326 517	158.00
▪	0 - 200	0 - 8	50	2.0	0.01	.0005	0.03	rect.	1326 518	231.00



1998720

1997501

1998501

Accessories

	Order no.	List price EUR
Battery, 3V-Lithium, CR 2032	0220 704	3.70
Data cable DATA VARIABLE to RS232	1997 501	48.00
Data cable DATA VARIABLE to digimatic	1998 501	61.00
Data cable DATA VARIABLE to USB	1998 720	69.00

1322 DIGI-MET® Pocket caliper PRISMA



Model

- Double prisma guide with excellent sliding characteristics
- Protection class IP67
- Stainless steel
- DIN 862
- LCD display 7.5 mm
- Locking screw
- Inside cross points
- Four way measurement

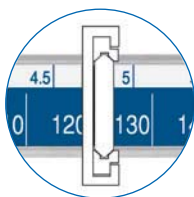
Functions

- ON / OFF
- Set to zero at any point
- mm / inch switching
- Quick-Start**
- Quick-Lock** (key lock)
- Variable data output RS 232 + Digimatic + USB

Delivery

- Wooden case

☒	Measuring range		Jaw length		Reading		Error limit	Depth gauge	Order no.	List price EUR
	mm	inch	mm	inch	mm	inch	mm	mm		
▪	0 - 150	0 - 6	40	1.6	0.01	.0005	0.03	round 1.5	1322 516	203.00





1998 / 0996 / 1997 Data cable



1998 720

1997 501

0996 701

1998 501

0996 705

Model

- Length 2 m
- For use with MarCom Professional software to transfer the measured results to PC, laptop or workstation

Model	Description	Order no.	List price EUR
0996 701	Cable Opto for RS232	0996 701	74.00
0996 705	Cable Opto for USB	0996 705	141.00
1997 501	Cable DataVariable for RS232	1997 501	48.00
1998 501	Cable DataVariable for Digimatic	1998 501	61.00
1998 720	Cable DataVariable for USB	1998 720	69.00

0145 Measuring tool set >>Extensions<<



Model

- Pairs of measuring inserts, disc dia. 6 / 10 / 12.5 mm
- Pair of measuring inserts with 60° cone, dia. 9 / 12.5 mm
- Pair of measuring inserts with cylindrical surfaces 1.5 mm
- Insert holder, right / left with thread M 2.5
- Allen wrench SW 1.2 mm

Delivery

- Wooden box

Model	Description	Order no.	List price EUR
0145 110	Measuring tool set, 14 pieces	0145 110	164.00



Measure distances between bore holes



Measure grooves



Measure distances



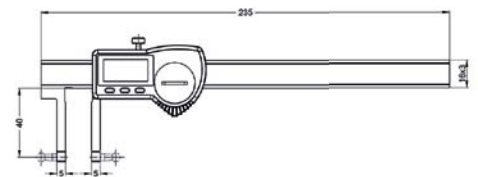
Measure distances between bore holes



Measure grooves



1326 Universal pocket caliper „Pocket Talent“



incl. setting standard

Model

- Stainless steel
- Protection class IP67
- Factory standard
- LCD display 7.5 mm
- Locking screw
- For internal and external measurements
- Individually adaptable on problematic tasks through measuring inserts with thread M 2.5

Functions

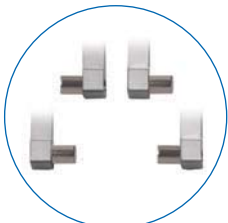
- ON / OFF
- **Quick-Start**
- **Quick-Lock** (key lock)
- Set to zero at any point
- mm / inch switching
- PRESET-Function (setting a numerical value)
- Variable data output RS 232 + Digimatic + USB

Delivery

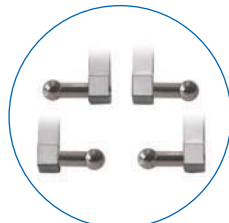
- Wooden box
- Measuring inserts No. 0710161* and 0710177*
- Planar surface Ø 4.8 mm / Ball inserts Ø 5.0 mm
- Setting standard

Measuring range	Measuring range		Jaw length	Reading		Order no.	List price
	mm	inch		mm	mm		
0 - 150	0 - 6	40	0.01	.0005	1326 932	352.00	

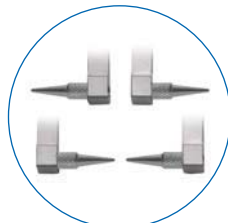
The all-round talent which in conjunction with all common types of measuring inserts for indicators with a standard M 2.5 thread can be used for internal and external measurements. Therefore, the small universal caliper, "Pocket-Talent" offers you conduct numerous measurement applications.



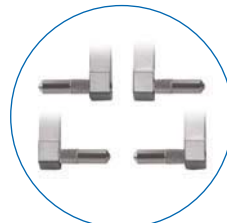
0710161*



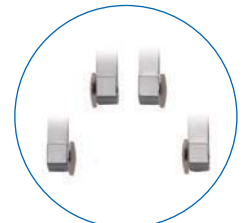
0710177*



0710166



0710167



0710163



1998720



1998501



1997501

Accessories

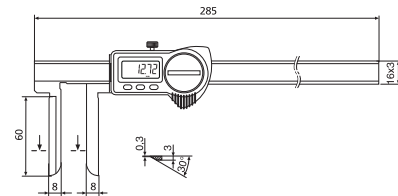
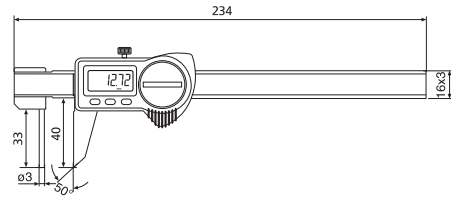
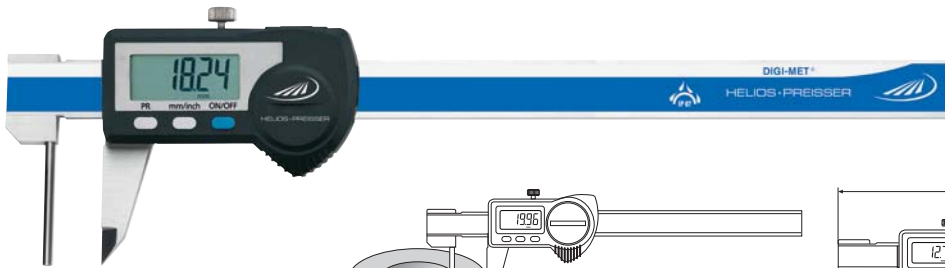
	Order no.	List price
		EUR
Battery, 3V-Lithium, CR 2032	0220 704	3.70
Measuring inserts M 2.5	0710 161	3.50
Measuring inserts M 2.5	0710 163	5.20
Measuring inserts M 2.5	0710 166	4.70
Measuring inserts M 2.5	0710 167	3.30
Measuring inserts M 2.5	0710 177	6.50
Data cable DATA VARIABLE to RS232	1997 501	48.00
Data cable DATA VARIABLE to digimatic	1998 501	61.00
Data cable DATA VARIABLE to USB	1998 720	69.00



Product video



1326 DIGI-MET® Pocket calipers for specific measuring tasks



Model

- Protection class IP67
- Stainless steel
- LCD display 7.5 mm
- Factory standard
- Measuring system is insensitive to cooling agents and dust

- Housing and operating keys have an excellent chemical resistance
- Inside cross points
- Locking screw

Functions

- ON / OFF
- Quick-Start
- Quick-Lock (key lock)
- Set to zero at any point
- mm / inch switching
- PRESET-Function (setting a numerical value)
- Variable data output RS 232 + Digimatic + USB

Delivery

- Wooden case

⊗	%	Measuring range		Jaw length		Reading		Order no.	List price EUR
		mm	inch	mm	inch	mm	inch		
Wall thickness caliper									
		0 - 150	0 - 6	40	1.6	0.01	.0005	1326 918	483.00
With long cross jaws for inner measurements									
		10 - 200	0.4 - 8	60	2.4	0.01	.0005	1326 930	627.00

Accessories



1998720

1997501

1998501

Battery, 3V-Lithium, CR 2032

Data cable DATA VARIABLE to RS232

Data cable DATA VARIABLE to digimatic

Data cable DATA VARIABLE to USB

Order no.

0220 704

1997 501

1998 501

1998 720

List price EUR

3.70

48.00

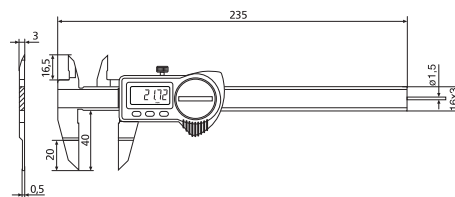
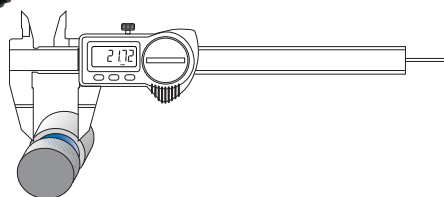
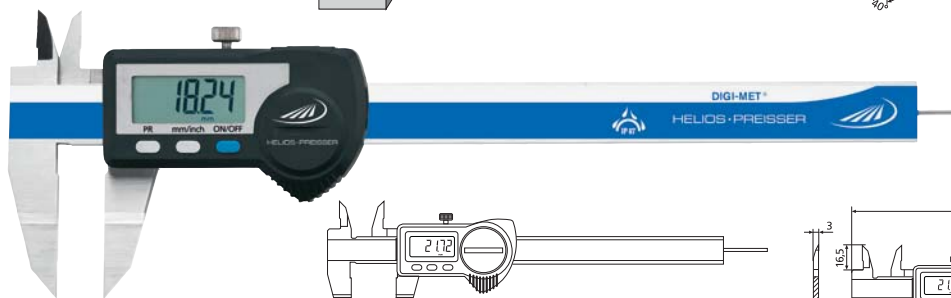
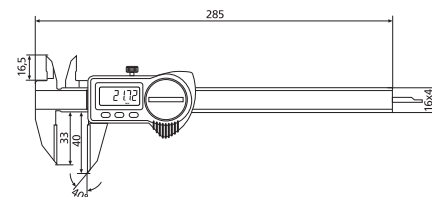
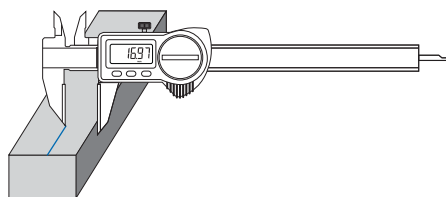
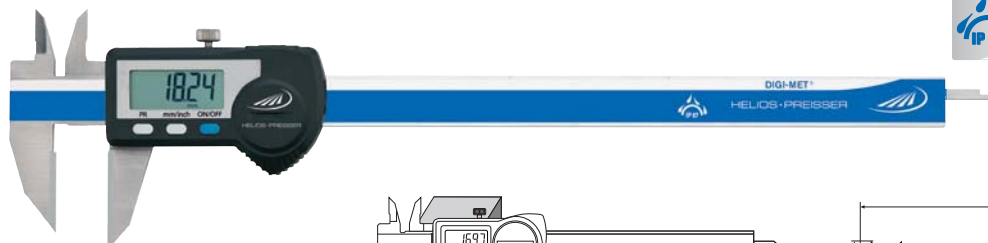
61.00

69.00



HELIOS · PREISSER

1326 DIGI-MET® Pocket calipers for specific measuring tasks



Model

- Protection class IP67
- Stainless steel
- LCD display 7,5 mm
- Factory standard
- Measuring system is insensitive to cooling agents and dust

- Housing and operating keys have an excellent chemical resistance
- Inside cross points
- Locking screw

Functions

- ON / OFF
- Quick-Start
- Quick-Lock (key lock)
- Set to zero at any point
- mm / inch switching
- PRESET-Function (setting a numerical value)
- Variable data output RS 232 + Digimatic + USB

Delivery

- Wooden case

»	¼	Measuring range		Jaw length		Reading		Depth gauge mm	Order no.	List price EUR
		mm	inch	mm	inch	mm	inch			
Scribing caliper with carbide-tipped outer measuring surfaces										
		0 - 200	0 - 8	33	1.3	0.01	.0005	rect.	1326 912	307.00
With flat measuring surfaces e.g. for outer recesses										
		0 - 150	0 - 6	40	1.6	0.01	.0005	round 1.5	1326 920	523.00



1998720

1997501

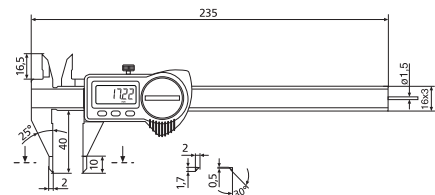
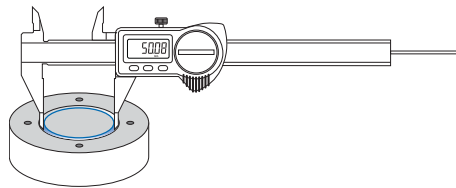
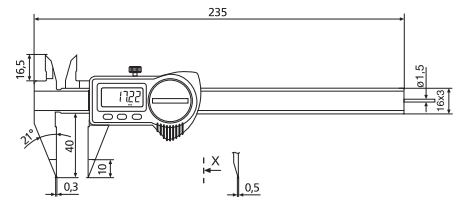
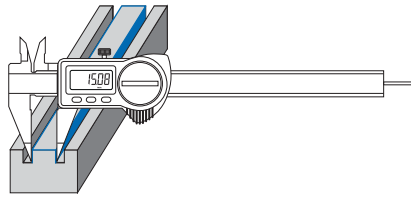
1998501

Accessories

	Order no.	List price EUR
Battery, 3V-Lithium, CR 2032	0220 704	3.70
Data cable DATA VARIABLE to RS232	1997 501	48.00
Data cable DATA VARIABLE to digimatic	1998 501	61.00
Data cable DATA VARIABLE to USB	1998 720	69.00



1326 DIGI-MET® Pocket calipers for specific measuring tasks



Model

- Protection class IP67
- Stainless steel
- LCD display 7.5 mm
- Factory standard
- Measuring system is insensitive to cooling agents and dust

- Housing and operating keys have an excellent chemical resistance
- Inside cross points
- Locking screw

Functions

- ON / OFF
- Quick-Start
- Quick-Lock (key lock)
- Set to zero at any point
- mm / inch switching
- PRESET-Function (setting a numerical value)
- Variable data output RS 232 + Digimatic + USB

Delivery

- Wooden case

Marked	Marked	Measuring range		Jaw length		Reading		Order no.	List price EUR
		mm	inch	mm	inch	mm	inch		
With pointed jaws									
		0 - 150	0 - 6	40	1.6	0.01	.0005	1326 916	380.00
With fine measuring tips									
		0 - 150	0 - 6	40	1.6	0.01	.0005	1326 922	429.00



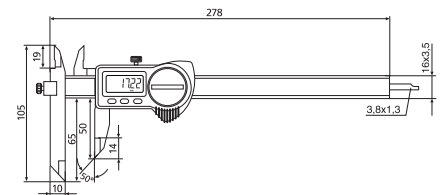
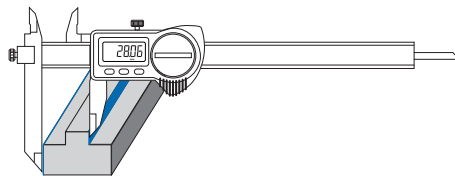
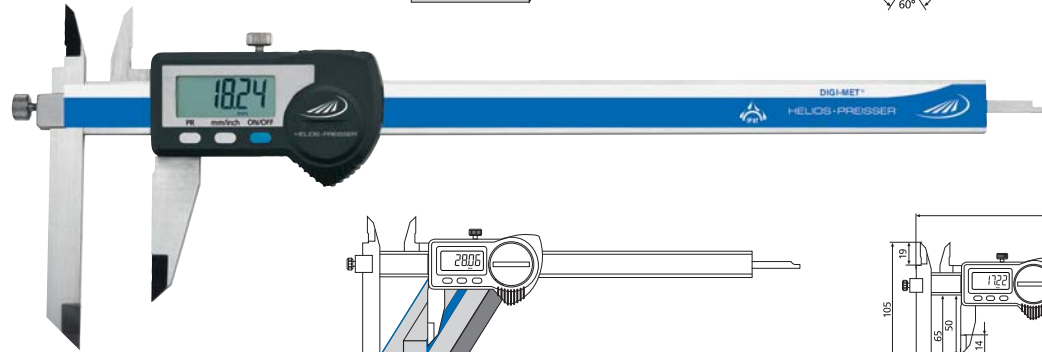
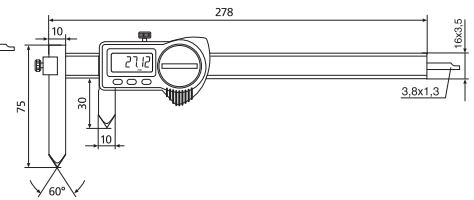
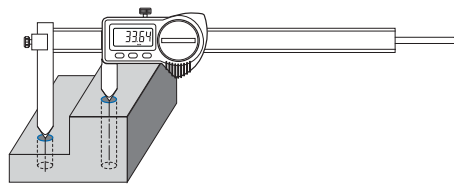
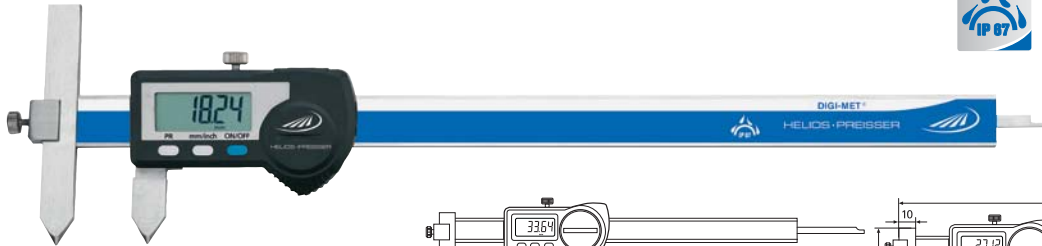
Accessories

	Order no.	List price EUR
Battery, 3V-Lithium, CR 2032	0220 704	3.70
Data cable DATA VARIABLE to RS232	1997 501	48.00
Data cable DATA VARIABLE to digimatic	1998 501	61.00
Data cable DATA VARIABLE to USB	1998 720	69.00



HELIOS · PREISSER

1326 DIGI-MET® Pocket calipers for specific measuring tasks



Model

- Protection class IP67
- Stainless steel
- LCD display 7.5 mm
- Factory standard
- Measuring system is insensitive to cooling agents and dust

- Housing and operating keys have an excellent chemical resistance
- Inside cross points
- Locking screw

Functions

- ON / OFF
- Quick-Start
- Quick-Lock (key lock)
- Set to zero at any point
- mm / inch switching
- PRESET-Function (setting a numerical value)
- Variable data output RS 232 + Digimatic + USB

Delivery

- Wooden case

Measuring range	Measuring range		Jaw length		Reading		Order no.	List price EUR
	mm	inch	mm	inch	mm	inch		
Moving jaws for measuring the distance between bores								
10 - 210	0.4 - 8.3	75	3.0	0.01	.0005	1326 924	425.00	
Moving jaws + cross tips								
0 - 200	0 - 8	65	2.5	0.01	.0005	1326 928	457.00	



1998720

1998501

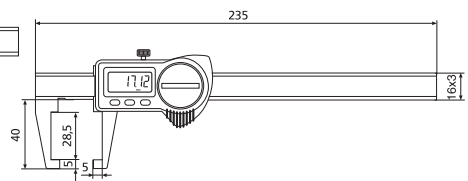
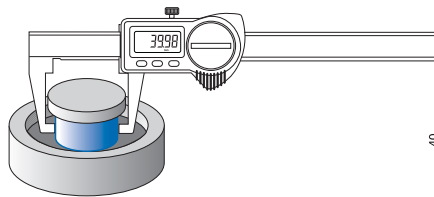
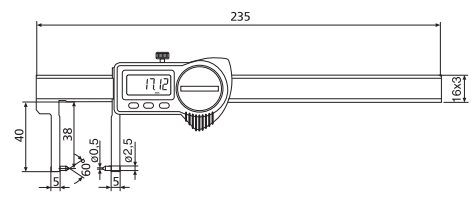
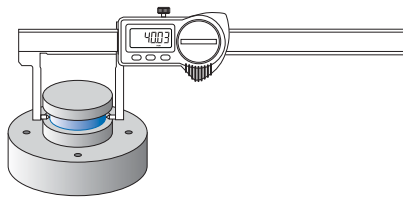
1997501

Accessories

	Order no.	List price EUR
Battery, 3V-Lithium, CR 2032	0220 704	3.70
Data cable DATA VARIABLE to RS232	1997 501	48.00
Data cable DATA VARIABLE to digimatic	1998 501	61.00
Data cable DATA VARIABLE to USB	1998 720	69.00



1326 DIGI-MET® Pocket calipers for specific measuring tasks



Model

- Protection class IP67
- Stainless steel
- LCD display 7.5 mm
- Factory standard
- Measuring system is insensitive to cooling agents and dust

- Housing and operating keys have an excellent chemical resistance
- Inside cross points
- Locking screw

Functions

- ON / OFF
- Quick-Start
- Quick-Lock (key lock)
- Set to zero at any point
- mm / inch switching
- PRESET-Function (setting a numerical value)
- Variable data output RS 232 + Digimatic + USB

Delivery

- Wooden case

Measuring tips angled inwards	Measuring range		Jaw length		Reading		Order no.	List price EUR
	mm	inch	mm	inch	mm	inch		
Measuring tips angled inwards	0 - 150	0 - 6	40	1.6	0.01	.0005	1326 904	550.00
Measuring jaws angled inwards	0 - 150	0 - 6	40	1.6	0.01	.0005	1326 908	469.00

Accessories



1998720 1997501 1998501

Accessories	Order no.	List price EUR
Battery, 3V-Lithium, CR 2032	0220 704	3.70
Data cable DATA VARIABLE to RS232	1997 501	48.00
Data cable DATA VARIABLE to digimatic	1998 501	61.00
Data cable DATA VARIABLE to USB	1998 720	69.00

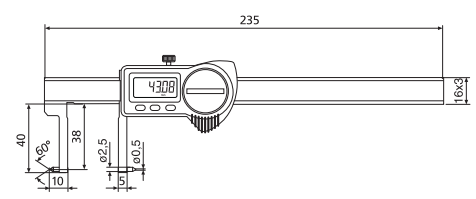
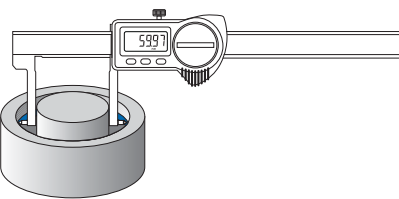
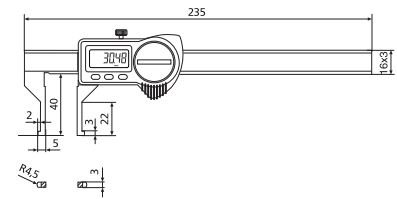
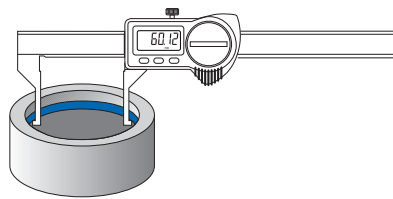


HELIOS · PREISSER

1326 DIGI-MET® Pocket calipers for specific measuring tasks



1



Model

- Protection class IP67
- Stainless steel
- LCD display 7.5 mm
- Factory standard
- Measuring system is insensitive to cooling agents and dust

Functions

- Housing and operating keys have an excellent chemical resistance
- Inside cross points
- Locking screw
- ON / OFF
- Quick-Start
- Quick-Lock (key lock)
- Set to zero at any point
- mm / inch switching
- PRESET-Function (setting a numerical value)
- Variable data output RS 232 + Digimatic + USB

Delivery

- Wooden case

»	%	Measuring range		Jaw length		Reading		Order no.	List price EUR
		mm	inch	mm	inch	mm	inch		
Measuring jaws angled outwards									
		10.5 - 160	0.4 - 6.3	40	1.6	0.01	.0005	1326 910	539.00
Measuring tips angled outwards									
		20.5 - 170	0.8 - 6.7	40	1.6	0.01	.0005	1326 906	545.00

Accessories



1998720 1997501 1998501

	Order no.	List price EUR
Battery, 3V-Lithium, CR 2032	0220 704	3.70
Data cable DATA VARIABLE to RS232	1997 501	48.00
Data cable DATA VARIABLE to digimatic	1998 501	61.00
Data cable DATA VARIABLE to USB	1998 720	69.00



0633 Steel gauge block inspection set for calipers



Model

- EN ISO 3650
- Special steel, hardened
- Tolerance class 1
- Supplied with: setting rings 4 mm and 25 mm

Delivery

- Wooden box

⌘	⊗	For measuring range mm	Max. nominal size	Order no.	List price EUR
3 pieces					
		200	30.0 / 41.3 / 131.4	0633 833	540.00
4 pieces					
		300	30.0 / 41.3 / 131.4 / 243.5	0633 834	721.00
6 pieces					
		500	30.0 / 41.3 / 131.4 / 243.5 / 281.2 / 481.1	0633 836	1287.00
5 pieces					
		1000	131.4 / 243.5 / 281.2 / 481.1 / 900	0633 838	2275.00

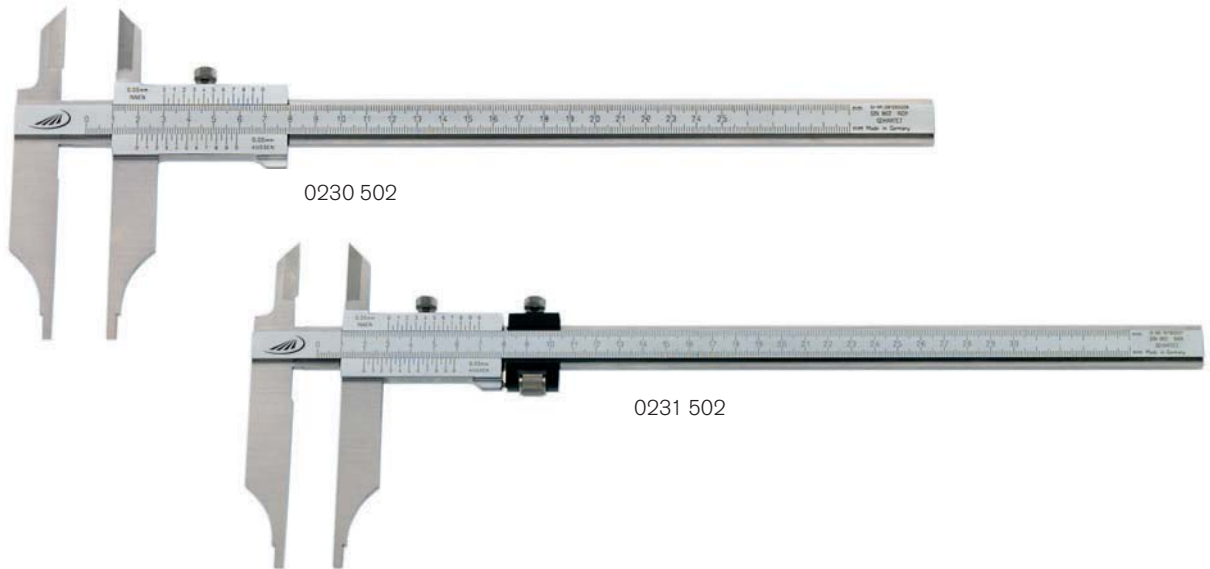


0230 / 0231 Workshop calipers with parallax-free reading



DIN 862

1



Model

- Parallax-free reading
- Stainless steel
- Reading parts have a satin chrome finish
- DIN 862
- Locking screw
- Knife points

Delivery

- Stepped jaws for inside measurement: 10 mm, for measuring range 500 mm: 20 mm
- Direct reading of internal and external measurements
- High-precision laser graduation on the vernier and scale
- Cardboard box

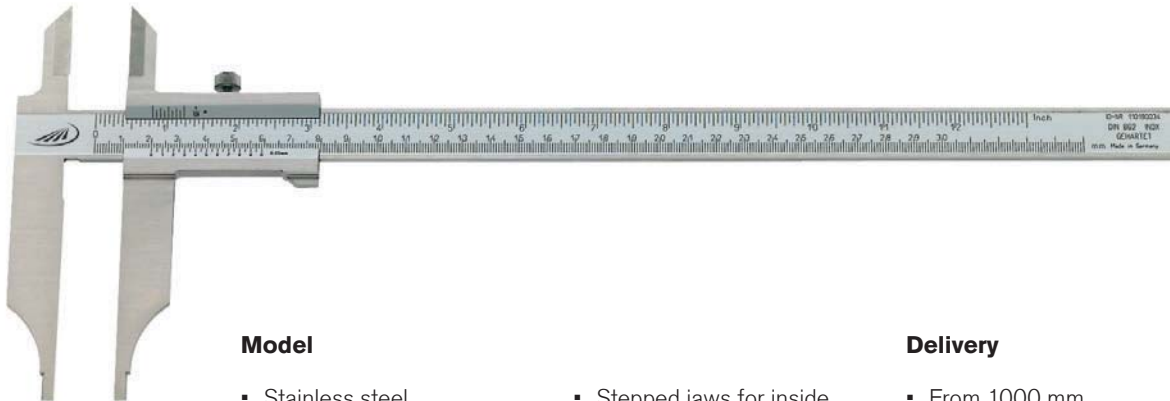
✕	¼	Measuring range		Jaw length		Reading mm	Error limit mm	Order no.	List price EUR
		mm	inch	mm	inch				
Without fine adjustment									
▪		0 - 200	0 - 8	80	3.0	0.05	0.05	0230 501	140.00
▪		0 - 250	0 - 10	80	3.0	0.05	0.05	0230 502	156.00
▪		0 - 300	0 - 12	90	3.5	0.05	0.05	0230 503	171.00
▪		0 - 500	0 - 20	150	6.0	0.05	0.07	0230 508	489.00
With fine adjustment									
▪		0 - 200	0 - 8	80	3.0	0.05	0.05	0231 501	166.00
▪		0 - 250	0 - 10	80	3.0	0.05	0.05	0231 502	182.00
▪		0 - 300	0 - 12	90	3.5	0.05	0.05	0231 503	197.00
▪		0 - 500	0 - 20	150	6.0	0.05	0.07	0231 508	535.00



0234 Workshop calipers



**DIN
862**



Model

- Stainless steel
- Vernier and / or reading parts have a satin chrome finish
- DIN 862
- Locking screw

Delivery

- From 1000 mm measuring range individually packed

- Stepped jaws for inside measurement: 10 mm, 20 mm* and 30 mm**
- Knife points
- Low-set master scale
- High-precision laser graduation on the vernier and scale

✂	📏	Measuring range		Jaw length		Reading		Error limit	Order no.	List price
		mm	inch	mm	inch	mm	inch			
Vernier satin chrome finished										
▪		0 - 200	0 - 8	80	3.0	0.05	1/128	0.05	0234 201	105.00
▪		0 - 250	0 - 10	80	3.0	0.05	1/128	0.05	0234 202	128.00
▪		0 - 300	0 - 12	90	3.5	0.05	1/128	0.05	0234 203	137.00
▪		0 - 400	0 - 16	125	5.0	0.05		0.06	0234 205*	321.00
▪		0 - 500	0 - 20	150	6.0	0.05		0.07	0234 208*	402.00
▪		0 - 600	0 - 24	150	6.0	0.05		0.08	0234 211*	470.00
▪		0 - 800	0 - 31	150	6.0	0.05		0.1	0234 214*	535.00
▪		0 - 1000	0 - 39	150	6.0	0.05		0.12	0234 218*	649.00
	▪	0 - 1250	0 - 49	200	8.0	0.05		0.16	0234 222**	1038.00
	▪	0 - 1500	0 - 59	200	8.0	0.05		0.18	0234 224**	1342.00
	▪	0 - 2000	0 - 79	200	8.0	0.05		0.22	0234 226**	1960.00
Vernier + scale satin chrome finished										
▪		0 - 200	0 - 8	80	3.0	0.05	1/128	0.05	0234 501	124.00
▪		0 - 250	0 - 10	80	3.0	0.05	1/128	0.05	0234 502	143.00
▪		0 - 300	0 - 12	90	3.5	0.05	1/128	0.05	0234 503	157.00
▪		0 - 400	0 - 16	125	5.0	0.05		0.06	0234 505*	364.00
▪		0 - 500	0 - 20	150	6.0	0.05		0.07	0234 508*	469.00
▪		0 - 600	0 - 24	150	6.0	0.05		0.08	0234 511*	532.00
▪		0 - 800	0 - 31	150	6.0	0.05		0.1	0234 514*	603.00
▪		0 - 1000	0 - 39	150	6.0	0.05		0.12	0234 518*	724.00
	▪	0 - 1250	0 - 49	200	8.0	0.05		0.16	0234 522**	1182.00
	▪	0 - 1500	0 - 59	200	8.0	0.05		0.18	0234 524**	1521.00
	▪	0 - 2000	0 - 79	200	8.0	0.05		0.22	0234 526**	2227.00

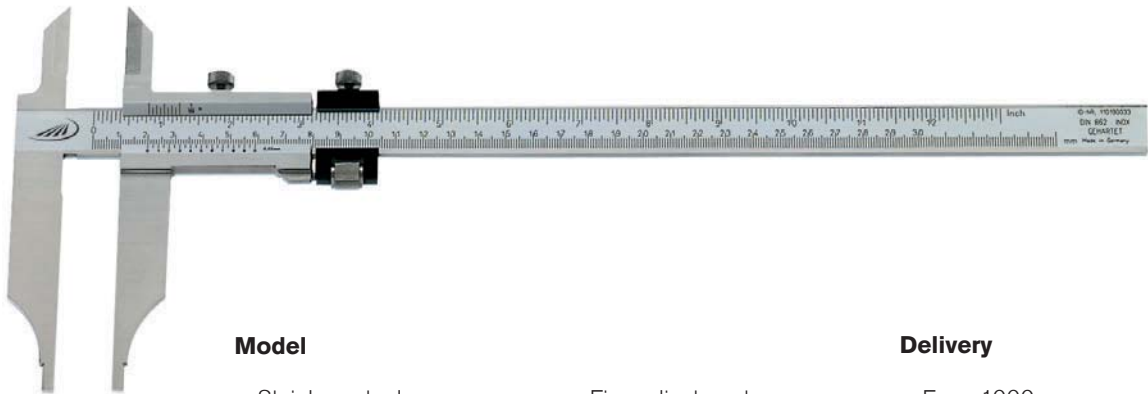


0235 Workshop calipers



**DIN
862**

1



Model

- Stainless steel
- Vernier and / or reading parts have a satin chrome finish
- DIN 862
- Locking screw
- Knife points

Delivery

- From 1000 mm measuring range individually packed

- Fine adjustment
- Stepped jaws for inside measurement: 10 mm, 20 mm* and 30 mm**
- Low-set master scale
- High-precision laser graduation on the vernier and scale

Icon	Measuring range		Jaw length		Reading		Error limit	Order no.	List price	
	mm	inch	mm	inch	mm	inch				mm
Vernier satin chrome finished										
▪	0 - 200	0 - 8	80	3.0	0.05	1/128	0.05	0235 201	132.00	
▪	0 - 250	0 - 10	80	3.0	0.05	1/128	0.05	0235 202	153.00	
▪	0 - 300	0 - 12	90	3.5	0.05	1/128	0.05	0235 203	161.00	
▪	0 - 400	0 - 16	125	5.0	0.05		0.06	0235 205*	371.00	
▪	0 - 500	0 - 20	150	6.0	0.05		0.07	0235 208*	452.00	
▪	0 - 600	0 - 24	150	6.0	0.05		0.08	0235 211*	518.00	
▪	0 - 800	0 - 31	150	6.0	0.05		0.1	0235 214*	594.00	
▪	0 - 1000	0 - 39	150	6.0	0.05		0.12	0235 218*	692.00	
▪	0 - 1250	0 - 49	200	8.0	0.05		0.16	0235 222**	1136.00	
▪	0 - 1500	0 - 59	200	8.0	0.05		0.18	0235 224**	1435.00	
▪	0 - 2000	0 - 79	200	8.0	0.05		0.22	0235 226**	2119.00	
Vernier + scale satin chrome finished										
▪	0 - 200	0 - 8	80	3.0	0.05	1/128	0.05	0235 501	141.00	
▪	0 - 250	0 - 10	80	3.0	0.05	1/128	0.05	0235 502	169.00	
▪	0 - 300	0 - 12	90	3.5	0.05	1/128	0.05	0235 503	181.00	
▪	0 - 400	0 - 16	125	5.0	0.05		0.06	0235 505*	412.00	
▪	0 - 500	0 - 20	150	6.0	0.05		0.07	0235 508*	507.00	
▪	0 - 600	0 - 24	150	6.0	0.05		0.08	0235 511*	577.00	
▪	0 - 800	0 - 31	150	6.0	0.05		0.1	0235 514*	664.00	
▪	0 - 1000	0 - 39	150	6.0	0.05		0.12	0235 518*	784.00	
▪	0 - 1250	0 - 49	200	8.0	0.05		0.16	0235 522**	1268.00	
▪	0 - 1500	0 - 59	200	8.0	0.05		0.18	0235 524**	1613.00	
▪	0 - 2000	0 - 79	200	8.0	0.05		0.22	0235 526**	2376.00	



0236 Workshop calipers



DIN
862



Model

- Stainless steel
- Vernier and / or reading parts have a satin chrome finish
- Factory standard
- Locking screw
- Low-set master scale
- Stepped jaws for inside measurement: 10 mm, 20 mm*, 30 mm** and 50 mm (0236 230)
- High-precision laser graduation on the vernier and scale
- 3000 mm = Factory standard

Delivery

- From 1000 mm measuring range individually packed

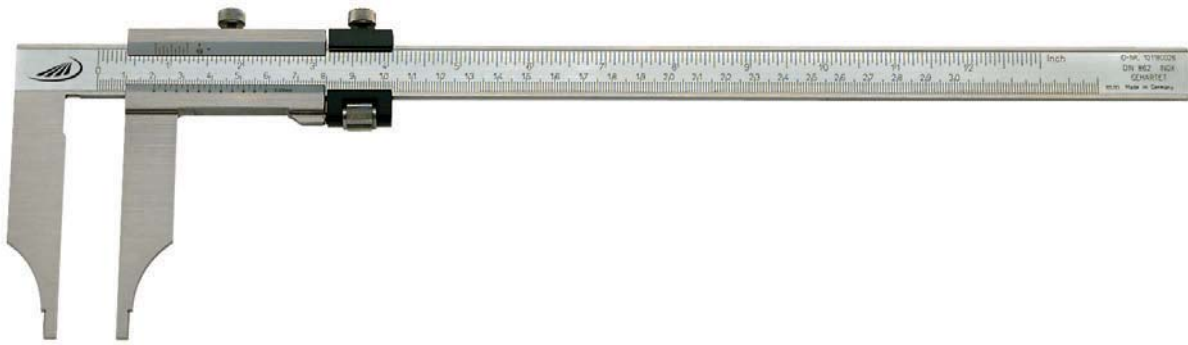
⊗	⊗	Measuring range		Jaw length		Reading		Error limit	Order no.	List price
		mm	inch	mm	inch	mm	inch			
Vernier satin chrome finished										
▪		0 - 200	0 - 8	80	3.0	0.05	1/128	0.05	0236 201	90.00
▪		0 - 250	0 - 10	80	3.0	0.05	1/128	0.05	0236 202	110.00
▪		0 - 300	0 - 12	90	3.5	0.05	1/128	0.05	0236 203	124.00
▪		0 - 400	0 - 16	125	5.0	0.05		0.06	0236 205*	254.00
▪		0 - 500	0 - 20	150	6.0	0.05		0.07	0236 208*	335.00
▪		0 - 600	0 - 24	150	6.0	0.05		0.08	0236 211*	401.00
▪		0 - 800	0 - 31	150	6.0	0.05		0.1	0236 214*	428.00
▪		0 - 1000	0 - 39	150	6.0	0.05		0.12	0236 218*	535.00
	▪	0 - 1250	0 - 49	200	8.0	0.05		0.14	0236 222**	828.00
	▪	0 - 1500	0 - 59	200	8.0	0.05		0.18	0236 224**	1129.00
	▪	0 - 2000	0 - 79	200	8.0	0.05		0.22	0236 226**	1556.00
	▪	0 - 3000	0 - 118	200	8.0	0.05		0.22	0236 230	2574.00
Vernier + scale satin chrome finished										
▪		0 - 200	0 - 8	80	3.0	0.05	1/128	0.05	0236 501	103.00
▪		0 - 250	0 - 10	80	3.0	0.05	1/128	0.05	0236 502	130.00
▪		0 - 300	0 - 12	90	3.5	0.05	1/128	0.05	0236 503	140.00
▪		0 - 400	0 - 16	125	5.0	0.05		0.06	0236 505*	297.00
▪		0 - 500	0 - 20	150	6.0	0.05		0.07	0236 508*	391.00
▪		0 - 600	0 - 24	150	6.0	0.05		0.08	0236 511*	467.00
▪		0 - 800	0 - 31	150	6.0	0.05		0.1	0236 514*	484.00
▪		0 - 1000	0 - 39	150	6.0	0.05		0.12	0236 518*	604.00
	▪	0 - 1250	0 - 49	200	8.0	0.05		0.16	0236 522**	992.00
	▪	0 - 1500	0 - 59	200	8.0	0.05		0.18	0236 524**	1331.00
	▪	0 - 2000	0 - 79	200	8.0	0.05		0.22	0236 526**	2006.00



0237 Workshop calipers



DIN
862



1

Model

- Stainless steel
- Vernier and / or reading parts have a satin chrome finish
- Factory standard
- Locking screw
- Fine adjustment
- Low-set master scale

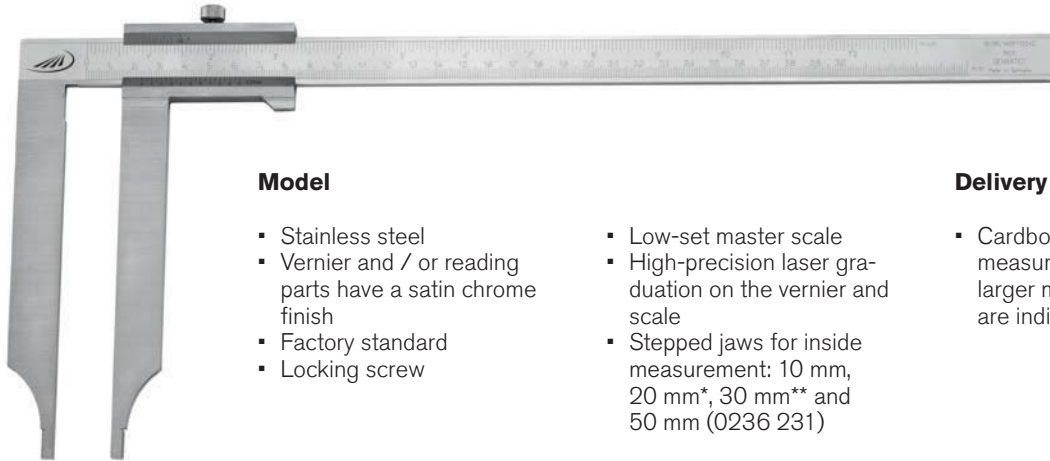
Delivery

- Stepped jaws for inside measurement: 10 mm, 20 mm*, 30 mm** and 50 mm (0237 230)
 - High-precision laser graduation on the vernier and scale
 - 3000 mm = Factory standard
- From 1000 mm measuring range individually packed

Icon	Measuring range		Jaw length		Reading		Error limit	Order no.	List price	
	mm	inch	mm	inch	mm	inch				mm
Vernier satin chrome finished										
▪	0 - 200	0 - 8	80	3.0	0.05	1/128	0.05	0237 201	116.00	
▪	0 - 250	0 - 10	80	3.0	0.05	1/128	0.05	0237 202	137.00	
▪	0 - 300	0 - 12	90	3.5	0.05	1/128	0.05	0237 203	150.00	
▪	0 - 400	0 - 16	125	5.0	0.05		0.06	0237 205*	304.00	
▪	0 - 500	0 - 20	150	6.0	0.05		0.07	0237 208*	387.00	
▪	0 - 600	0 - 24	150	6.0	0.05		0.08	0237 211*	452.00	
▪	0 - 800	0 - 31	150	6.0	0.05		0.1	0237 214*	487.00	
▪	0 - 1000	0 - 39	150	6.0	0.05		0.12	0237 218*	594.00	
▪	0 - 1250	0 - 49	200	8.0	0.05		0.16	0237 222**	922.00	
▪	0 - 1500	0 - 59	200	8.0	0.05		0.18	0237 224**	1224.00	
▪	0 - 2000	0 - 79	200	8.0	0.05		0.22	0237 226**	1710.00	
▪	0 - 3000	0 - 118	200	8.0	0.05		0.22	0237 230	2797.00	
Vernier + scale satin chrome finished										
▪	0 - 200	0 - 8	80	3.0	0.05	1/128	0.05	0237 501	127.00	
▪	0 - 250	0 - 10	80	3.0	0.05	1/128	0.05	0237 502	155.00	
▪	0 - 300	0 - 12	90	3.5	0.05	1/128	0.05	0237 503	167.00	
▪	0 - 400	0 - 16	125	5.0	0.05		0.06	0237 505*	347.00	
▪	0 - 500	0 - 20	150	6.0	0.05		0.07	0237 508*	439.00	
▪	0 - 600	0 - 24	150	6.0	0.05		0.08	0237 511*	514.00	
▪	0 - 800	0 - 31	150	6.0	0.05		0.1	0237 514*	544.00	
▪	0 - 1000	0 - 39	150	6.0	0.05		0.12	0237 518*	665.00	
▪	0 - 1250	0 - 49	200	8.0	0.05		0.16	0237 522**	1083.00	
▪	0 - 1500	0 - 59	200	8.0	0.05		0.18	0237 524**	1424.00	
▪	0 - 2000	0 - 79	200	8.0	0.05		0.22	0237 526**	2158.00	



0236 Workshop calipers with long measuring jaws



Model

- Stainless steel
- Vernier and / or reading parts have a satin chrome finish
- Factory standard
- Locking screw
- Low-set master scale
- High-precision laser graduation on the vernier and scale
- Stepped jaws for inside measurement: 10 mm, 20 mm*, 30 mm** and 50 mm (0236 231)

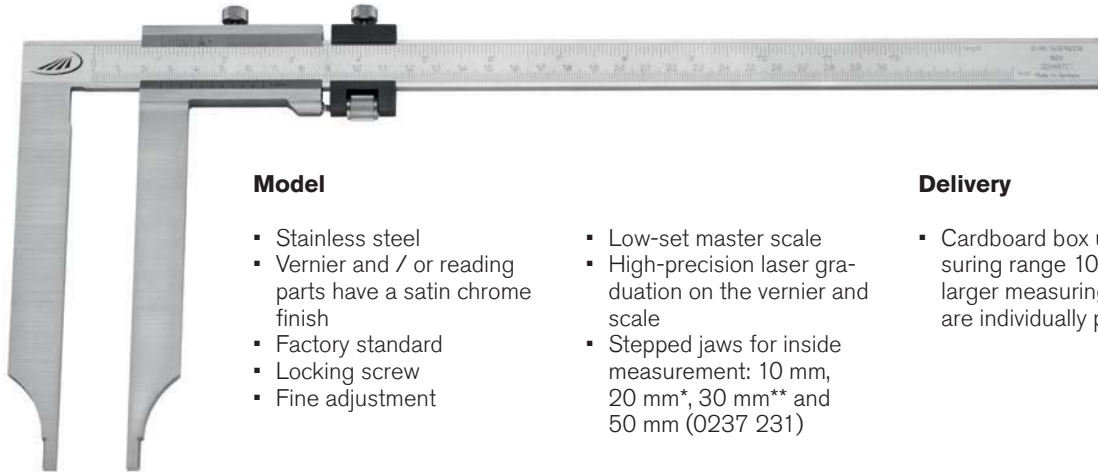
Delivery

- Cardboard box up to measuring range 1000 mm. larger measuring ranges are individually packed

Icon	Measuring range		Jaw length		Reading		Error limit	Order no.	List price
	mm	inch	mm	inch	mm	inch			
Vernier satin chrome finished									
	0 - 300	12	150	6.0	0.05	1/128	0.1	0236 204	230.00
	0 - 400	16	150	5.0	0.05		0.1	0236 206*	327.00
	0 - 400	16	200	8.0	0.05		0.12	0236 207*	399.00
	0 - 500	20	200	8.0	0.05		0.14	0236 209*	444.00
	0 - 500	20	250	10.0	0.05		0.14	0236 210*	535.00
	0 - 600	24	200	8.0	0.05		0.16	0236 212*	557.00
	0 - 600	24	300	12.0	0.05		0.16	0236 213*	685.00
	0 - 800	31	200	8.0	0.05		0.2	0236 215*	644.00
	0 - 800	31	300	12.0	0.05		0.2	0236 216*	824.00
	0 - 800	31	400	16.0	0.05		0.2	0236 217*	957.00
	0 - 1000	39	200	8.0	0.05		0.24	0236 219*	791.00
	0 - 1000	39	300	12.0	0.05		0.24	0236 220*	883.00
	0 - 1000	39	500	20.0	0.05		0.24	0236 221*	1331.00
▪	0 - 1500	59	300	12.0	0.05		0.36	0236 225**	1365.00
▪	0 - 2000	79	300	12.0	0.05		0.44	0236 227**	1899.00
▪	0 - 3000	118	300	12.0	0.05		0.64	0236 231	3139.00
Vernier + scale satin chrome finished									
	0 - 300	12	150	6.0	0.05	1/128	0.1	0236 504	248.00
	0 - 400	16	150	6.0	0.05		0.12	0236 506*	381.00
	0 - 400	16	200	8.0	0.05		0.12	0236 507*	463.00
	0 - 500	20	200	8.0	0.05		0.14	0236 509*	514.00
	0 - 500	20	250	10.0	0.05		0.14	0236 510*	614.00
	0 - 600	24	200	8.0	0.05		0.16	0236 512*	581.00
	0 - 600	24	300	12.0	0.05		0.16	0236 513*	756.00
	0 - 800	31	200	8.0	0.05		0.2	0236 515*	748.00
	0 - 800	31	300	12.0	0.05		0.2	0236 516*	954.00
	0 - 800	31	400	16.0	0.05		0.2	0236 517*	1119.00
	0 - 1000	39	200	8.0	0.05		0.24	0236 519*	917.00
	0 - 1000	39	300	12.0	0.05		0.24	0236 520*	1157.00
	0 - 1000	39	500	20.0	0.05		0.24	0236 521*	1581.00
▪	0 - 1500	59	300	12.0	0.05		0.36	0236 525**	1624.00
▪	0 - 2000	79	300	12.0	0.05		0.44	0236 527**	2405.00



0237 Workshop calipers with long measuring jaws



Model

- Stainless steel
- Vernier and / or reading parts have a satin chrome finish
- Factory standard
- Locking screw
- Fine adjustment
- Low-set master scale
- High-precision laser graduation on the vernier and scale
- Stepped jaws for inside measurement: 10 mm, 20 mm*, 30 mm** and 50 mm (0237 231)

Delivery

- Cardboard box up to measuring range 1000 mm, larger measuring ranges are individually packed

Icon	Measuring range		Jaw length		Reading		Error limit	Order no.	List price	
	mm	inch	mm	inch	mm	inch				mm
Vernier satin chrome finished										
	0 - 300	0 - 12	150	6.0	0.05	1/128	0.1	0237 204	255.00	
	0 - 400	0 - 16	150	6.0	0.05		0.12	0237 206*	377.00	
	0 - 400	0 - 16	200	8.0	0.05		0.12	0237 207*	450.00	
	0 - 500	0 - 20	200	8.0	0.05		0.14	0237 209*	496.00	
	0 - 500	0 - 20	250	10.0	0.05		0.14	0237 210*	585.00	
	0 - 600	0 - 24	200	8.0	0.05		0.16	0237 212*	605.00	
	0 - 600	0 - 24	300	8.0	0.05		0.16	0237 213*	736.00	
	0 - 800	0 - 31	200	8.0	0.05		0.2	0237 215*	707.00	
	0 - 800	0 - 31	300	12.0	0.05		0.2	0237 216*	885.00	
	0 - 800	0 - 31	400	16.0	0.05		0.2	0237 217*	1019.00	
	0 - 1000	0 - 39	200	8.0	0.05		0.24	0237 219*	854.00	
	0 - 1000	0 - 39	300	12.0	0.05		0.24	0237 220*	945.00	
	0 - 1000	0 - 39	500	20.0	0.05		0.24	0237 221*	1392.00	
▪	0 - 1500	0 - 59	300	12.0	0.05		0.36	0237 225**	1460.00	
▪	0 - 2000	0 - 79	300	12.0	0.05		0.44	0237 227**	2052.00	
▪	0 - 3000	0 - 118	300	12.0	0.05		0.64	0237 231	3361.00	
Vernier + scale satin chrome finished										
	0 - 300	0 - 12	150	6.0	0.05	1/128	0.1	0237 504	272.00	
	0 - 400	0 - 16	150	6.0	0.05		0.12	0237 506*	430.00	
	0 - 400	0 - 16	200	8.0	0.05		0.12	0237 507*	512.00	
	0 - 500	0 - 20	200	8.0	0.05		0.14	0237 509*	562.00	
	0 - 500	0 - 20	250	10.0	0.05		0.14	0237 510*	663.00	
	0 - 600	0 - 24	200	8.0	0.05		0.16	0237 512*	676.00	
	0 - 600	0 - 24	300	12.0	0.05		0.16	0237 513*	807.00	
	0 - 800	0 - 31	200	8.0	0.05		0.2	0237 515*	809.00	
	0 - 800	0 - 31	300	12.0	0.05		0.2	0237 516*	1012.00	
	0 - 800	0 - 31	400	16.0	0.05		0.2	0237 517*	1181.00	
	0 - 1000	0 - 39	200	8.0	0.05		0.24	0237 519*	975.00	
	0 - 1000	0 - 39	300	12.0	0.05		0.24	0237 520*	1218.00	
	0 - 1000	0 - 39	500	20.0	0.05		0.24	0237 521*	1644.00	
▪	0 - 1500	0 - 59	300	12.0	0.05		0.36	0237 525**	1720.00	
▪	0 - 2000	0 - 79	300	12.0	0.05		0.44	0237 527**	2556.00	



0219 Workshop dial caliper



DIN
862



Model

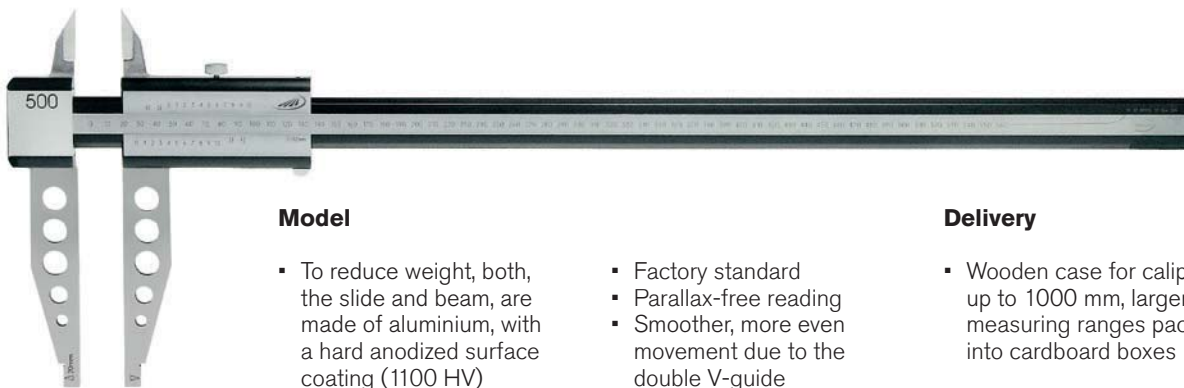
- Stainless steel
- Satin chrome scale
- DIN 862
- Stepped jaws for inside measurement 10 mm
- Locking screw

Delivery

- Wooden case

⊗	Measuring range		Jaw length		Reading	Error limit	Depth gauge	Order no.	List price
	mm	inch	mm	inch	mm	mm	mm		EUR
▪	0 - 300	0 - 12	90	3.5	0.05	0.05	rect.	0219 503	288.00

0238 Lightweight workshop calipers



Model

- To reduce weight, both, the slide and beam, are made of aluminium, with a hard anodized surface coating (1100 HV)
- Measuring faces are made of hardened stainless steel

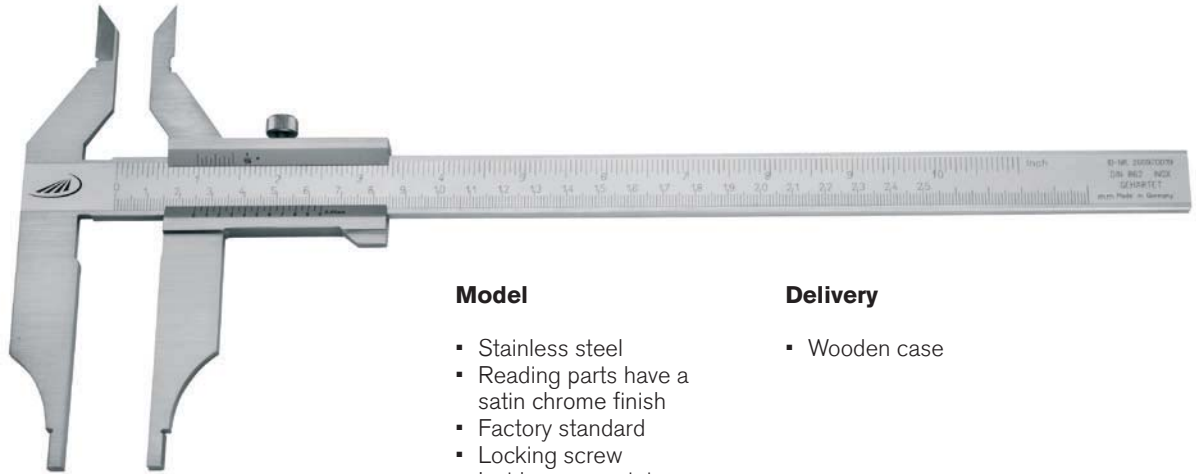
Delivery

- Factory standard
- Parallax-free reading
- Smoother, more even movement due to the double V-guide
- Locking screw
- Knife points
- Stepped jaws for inside measurement 20 mm

⊗	Measuring range		Jaw length		Reading	Error limit	Order no.	List price
	mm	inch	mm	inch	mm	mm		EUR
	0 - 300	0 - 12	90	3.5	0.02	0.05	0238 503	364.00
	0 - 500	0 - 20	150	6.0	0.02	0.07	0238 508	520.00
	0 - 800	0 - 31	150	6.0	0.02	0.1	0238 514	695.00
	0 - 1000	0 - 39	150	6.0	0.02	0.12	0238 518	814.00
▪	0 - 1500	0 - 59	200	8.0	0.05	0.17	0238 524	2110.00
▪	0 - 2000	0 - 79	200	8.0	0.05	0.22	0238 526	2457.00



0265 Caliper with cross points



1

Model

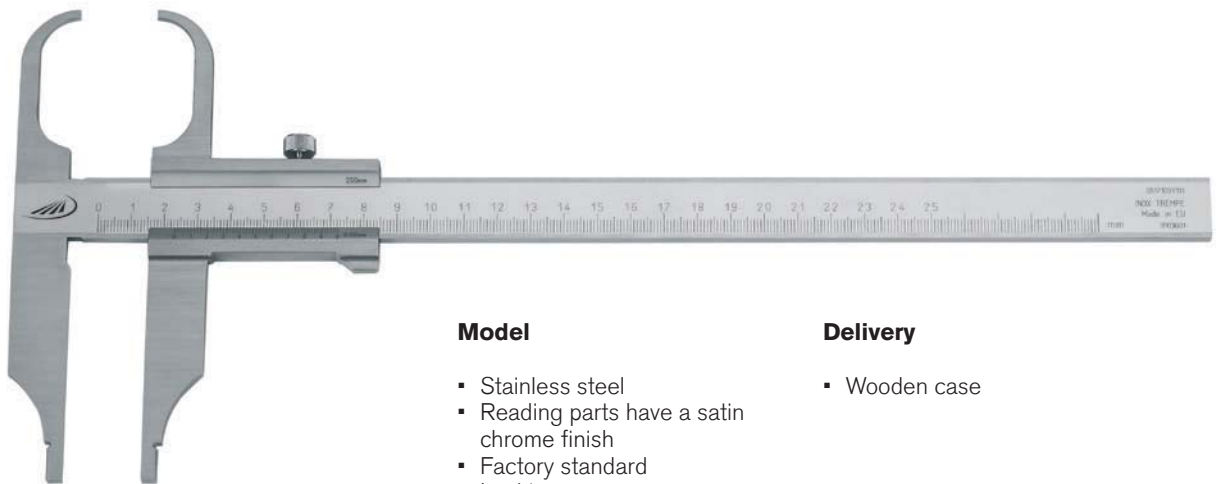
- Stainless steel
- Reading parts have a satin chrome finish
- Factory standard
- Locking screw
- Inside cross points 55 mm

Delivery

- Wooden case

Icon	Measuring range		Jaw length		Reading	Error limit	Order no.	List price
	mm	inch	mm	inch	mm	mm		EUR
☒	0 - 250	0 - 10	80	3.1	0.02	0.03	026652 005	259.00

0266 Caliper with gripper points



Model

- Stainless steel
- Reading parts have a satin chrome finish
- Factory standard
- Locking screw
- Gripper points 55 mm

Delivery

- Wooden case

Icon	Measuring range		Jaw length		Reading	Error limit	Order no.	List price
	mm	inch	mm	inch	mm	mm		EUR
☒	0 - 250	0 - 10	75	3.0	0.02	0.03	026652 005	347.00



1330 / 1331 DIGI-MET® Workshop calipers



Model

- Stainless steel
- Inductive measuring system, resistant to damp and sweat
- DIN 862
- Knife points
- LCD display:
 - 10 mm with measuring range 300 mm;
 - 12.5 mm from measuring range 500 mm
- Locking screw

Functions

- ON / OFF
- **Quick-Start**
- **Quick-Lock** (key lock)
- Set to zero at any point
- mm / inch switching
- PRESET-Function (setting a numerical value)
- Variable data output RS 232 + Digimatic + USB

Delivery

- Wooden case

Marked *	Measuring range		Jaw length		Reading		Error limit	Order no.	List price
	mm	inch	mm	inch	mm	inch			
With knife points, without fine adjustment									
▪	0 - 300	0 - 12	90	3.5	0.01	.0005	0.03	1330 522	384.00
▪	0 - 500	0 - 20	125	5.0	0.01	.0005	0.03	1330 528	583.00
▪	0 - 800	0 - 31	150	6.0	0.01	.0005	0.04	1330 532	952.00
▪	0 - 1000	0 - 39	150	6.0	0.01	.0005	0.04	1330 534	1152.00
With knife points, with fine adjustment									
▪	0 - 300	0 - 12	90	3.5	0.01	.0005	0.03	1331 522	443.00
▪	0 - 500	0 - 20	125	5.0	0.01	.0005	0.03	1331 528	654.00
▪	0 - 800	0 - 31	150	6.0	0.01	.0005	0.04	1331 532	1007.00
▪	0 - 1000	0 - 39	150	6.0	0.01	.0005	0.04	1331 534	1157.00

Accessories



1998720

1997501

1998501

Battery, 3V-Lithium, CR 2032

Data cable DATA VARIABLE to USB

Data cable DATA VARIABLE to RS232

Data cable DATA VARIABLE to digimatic

Order no.

0220 704

1998 720

1997 501

1998 501

List price

EUR

3.70

69.00

48.00

61.00



1334 / 1335 DIGI-MET® Workshop calipers



1



Model

- Stainless steel
- Inductive measuring system, resistant to damp and sweat
- DIN 862
- LCD display:
 - 10 mm with measuring range 300 mm;
 - 12.5 mm from measuring range 500 mm
- Locking screw

Functions

- ON / OFF
- **Quick-Start**
- **Quick-Lock** (key lock)
- Set to zero at any point
- mm / inch switching
- PRESET-Function (setting a numerical value)
- Variable data output RS 232 + Digimatic + USB

Delivery

- Wooden case

Icon	Measuring range		Jaw length		Reading		Error limit	Order no.	List price
	mm	inch	mm	inch	mm	inch			
Without fine adjustment									
▪	0 - 300	0 - 12	90	3.5	0.01	.0005	0.03	1334 522	354.00
▪	0 - 500	0 - 20	125	5.0	0.01	.0005	0.03	1334 528	497.00
▪	0 - 800	0 - 31	150	6.0	0.01	.0005	0.04	1334 532	869.00
▪	0 - 1000	0 - 39	150	6.0	0.01	.0005	0.04	1334 534	1028.00
With fine adjustment									
▪	0 - 300	0 - 12	90	3.5	0.01	.0005	0.03	1335 522	405.00
▪	0 - 500	0 - 20	125	5.0	0.01	.0005	0.03	1335 528	572.00
▪	0 - 800	0 - 31	150	6.0	0.01	.0005	0.04	1335 532	934.00
▪	0 - 1000	0 - 39	150	6.0	0.01	.0005	0.04	1335 534	1073.00



Accessories

	Order no.	List price
Battery, 3V-Lithium, CR 2032	0220 704	3.70
Data cable DATA VARIABLE to USB	1998 720	69.00
Data cable DATA VARIABLE to RS232	1997 501	48.00
Data cable DATA VARIABLE to digimatic	1998 501	61.00



1340 / 1341 DIGI-MET® Workshop calipers IP65



Model

- Stainless steel
- Inductive measuring system, protection class IP65
- DIN 862
- Knife points
- LCD display:
 - 10 mm with measuring range 300 mm;
 - 12.5 mm from measuring range 500 mm
- Locking screw

Functions

- ON / OFF
- **Quick-Start**
- **Quick-Lock** (key lock)
- Set to zero at any point
- mm / inch switching
- PRESET-Function (setting a numerical value)
- Variable data output RS 232 + Digimatic + USB

Delivery

- Wooden case

Marked	Measuring range		Jaw length		Reading		Error limit	Order no.	List price	
	mm	inch	mm	inch	mm	inch				mm
With knife points, without fine adjustment										
▪	0 - 300	0 - 12	90	3.5	0.01	.0005	0.03	1340 522	414.00	
▪	0 - 500	0 - 20	125	5.0	0.01	.0005	0.03	1340 528	789.00	
▪	0 - 800	0 - 31	150	6.0	0.01	.0005	0.04	1340 532	1065.00	
▪	0 - 1000	0 - 39	150	6.0	0.01	.0005	0.04	1340 534	1310.00	
With knife points, with fine adjustment										
▪	0 - 300	0 - 12	90	3.5	0.01	.0005	0.03	1341 522	468.00	
▪	0 - 500	0 - 20	125	5.0	0.01	.0005	0.03	1341 528	843.00	
▪	0 - 800	0 - 31	150	6.0	0.01	.0005	0.04	1341 532	1118.00	
▪	0 - 1000	0 - 39	150	6.0	0.01	.0005	0.04	1341 534	1363.00	



1998720

1997501

1998501

Accessories

- Battery, 3V-Lithium, CR 2032
- Data cable DATA VARIABLE to USB
- Data cable DATA VARIABLE to RS232
- Data cable DATA VARIABLE to digimatic

Order no.

List price

EUR

0220 704

1998 720

1997 501

1998 501

3.70

69.00

48.00

61.00



HELIOS · PREISSER

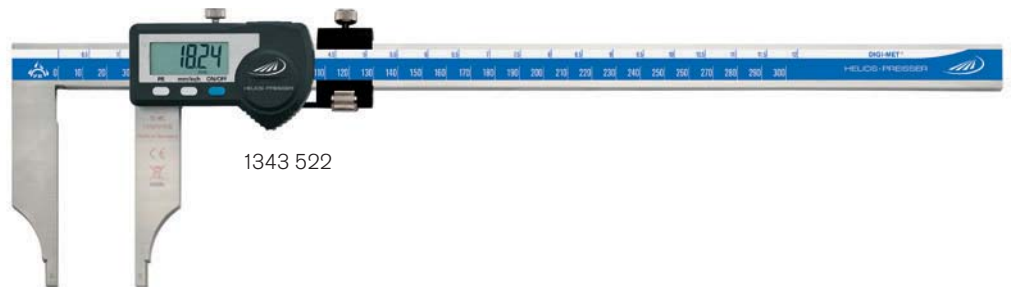
1342 / 1343 DIGI-MET® Workshop calipers IP65



1



1342 522



1343 522

Model

- Stainless steel
- Inductive measuring system, protection class IP65
- DIN 862
- LCD display:
 - 10 mm with measuring range 300 mm;
 - 12.5 mm from measuring range 500 mm
- Locking screw

Functions

- ON / OFF
- **Quick-Start**
- **Quick-Lock** (key lock)
- Set to zero at any point
- mm / inch switching
- PRESET-Function (setting a numerical value)
- Variable data output RS 232 + Digimatic + USB

Delivery

- Wooden case

Icon	Measuring range		Jaw length		Reading		Error limit	Order no.	List price
	mm	inch	mm	inch	mm	inch			
Without fine adjustment									
▪	0 - 300	0 - 12	90	3.5	0.01	.0005	0.03	1342 522	380.00
▪	0 - 500	0 - 20	125	5.0	0.01	.0005	0.03	1342 528	702.00
▪	0 - 800	0 - 31	150	6.0	0.01	.0005	0.04	1342 532	971.00
▪	0 - 1000	0 - 39	150	6.0	0.01	.0005	0.04	1342 534	1208.00
With fine adjustment									
▪	0 - 300	0 - 12	90	3.5	0.01	.0005	0.03	1343 522	434.00
▪	0 - 500	0 - 20	125	5.0	0.01	.0005	0.03	1343 528	756.00
▪	0 - 800	0 - 31	150	6.0	0.01	.0005	0.04	1343 532	1025.00
▪	0 - 1000	0 - 39	150	6.0	0.01	.0005	0.04	1343 534	1261.00



1998720

1997501

1998501

Accessories

- Battery, 3V-Lithium, CR 2032
- Data cable DATA VARIABLE to USB
- Data cable DATA VARIABLE to RS232
- Data cable DATA VARIABLE to digimatic

Order no.

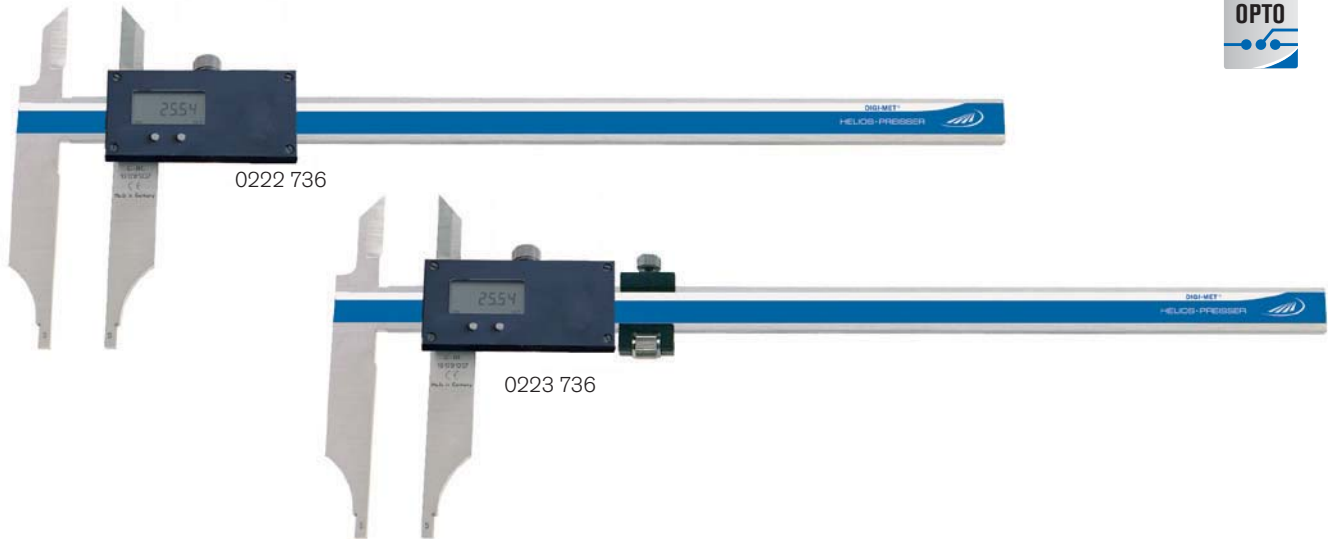
List price

- 0220 704
- 1998 720
- 1997 501
- 1998 501

- 3.70
- 69.00
- 48.00
- 61.00



0222 / 0223 DIGI-MET® Workshop calipers long version



Model

- Stainless steel
- LCD display 10 mm
- Locking screw
- Knife points
- Factory standard

Functions

- ON / OFF
- Set to zero at any point
- mm / inch switching
- Hold
- Data output Opto RS 232
- PRESET-Function (setting a numerical value)

Delivery

- Wooden case

▶◀	🏠	Measuring range		Jaw length		Reading		Error limit mm	Order no.	List price EUR
		mm	inch	mm	inch	mm	inch			
With knife points, without fine adjustment										
	▪	0 - 1500	0 - 59	200	8.0	0.01	.0005	0.1	0222 734	2569.00
	▪	0 - 2000	0 - 79	200	8.0	0.01	.0005	0.12	0222 736	3083.00
With knife points, with fine adjustment										
	▪	0 - 1500	0 - 59	200	8.0	0.01	.0005	0.1	0223 734	2741.00
	▪	0 - 2000	0 - 79	200	8.0	0.01	.0005	0.12	0223 736	3176.00



Accessories

	Order no.	List price EUR
Battery, 3V-Lithium, CR 2032	0220 704	3.70
Data cable opto to RS232	0996 701	74.00
Data cable opto to USB	0996 705	141.00
USB-keyboard interface cable	0997 770	241.00



0224 / 0225 DIGI-MET® Workshop calipers long version



1



0224 736



0225 736

Model

- Stainless steel
- LCD display 10 mm
- Locking screw
- Without knife points
- Factory standard

Functions

- ON / OFF
- Set to zero at any point
- mm / inch switching
- Hold
- Data output Opto RS 232
- PRESET-Function (setting a numerical value)

Delivery

- Wooden case

Icon	Measuring range		Jaw length		Reading		Error limit	Order no.	List price
	mm	inch	mm	inch	mm	inch			
Without fine adjustment									
▪	0 - 1500	0 - 59	200	8.0	0.01	.0005	0.1	0224 734	2323.00
▪	0 - 2000	0 - 79	200	8.0	0.01	.0005	0.12	0224 736	2816.00
With fine adjustment									
▪	0 - 1500	0 - 59	200	8.0	0.01	.0005	0.1	0225 734	2449.00
▪	0 - 2000	0 - 79	200	8.0	0.01	.0005	0.12	0225 736	2907.00



0996705

0996701

0997770

Accessories

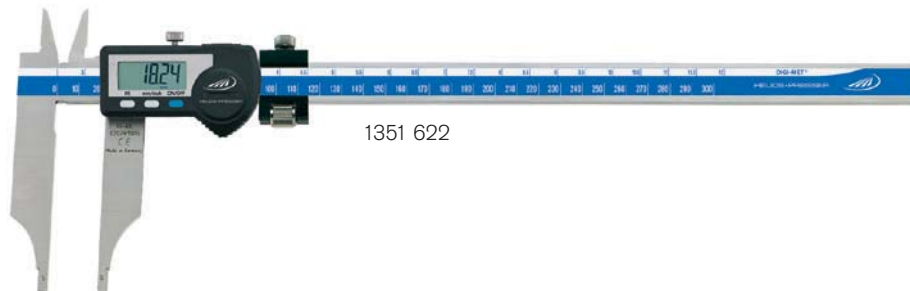
	Order no.	List price
Battery, 3V-Lithium, CR 2032	0220 704	3.70
Data cable opto to RS232	0996 701	74.00
Data cable opto to USB	0996 705	141.00
USB-keyboard interface cable	0997 770	241.00



1351 DIGI-MET® Workshop calipers with cross points



1351 522



1351 622

Model

- Stainless steel
- DIN 862
- LCD display
- 10 mm with measuring range 300 mm;
- 12.5 mm from measuring range 500 mm
- Locking screw
- Inside cross points
- Three way measurement

Functions

- ON / OFF
- **Quick-Start**
- **Quick-Lock** (key lock)
- Set to zero at any point
- mm / inch switching
- PRESET-Function (setting a numerical value)
- Variable data output RS 232 + Digimatic + USB

Delivery

- Wooden case

Measuring range	Jaw length		Reading		Error limit	Order no.	List price EUR	
	mm	inch	mm	inch				mm
Without fine adjustment								
0 - 300	0 - 12	90	3.5	0.01	.0005	0.03	1351 522	532.00
0 - 500	0 - 20	125	5.0	0.01	.0005	0.03	1351 528	688.00
With fine adjustment								
0 - 300	0 - 12	90	3.5	0.01	.0005	0.03	1351 622	567.00
0 - 500	0 - 20	125	5.0	0.01	.0005	0.03	1351 628	752.00



1998720

1997501

1998501

Accessories

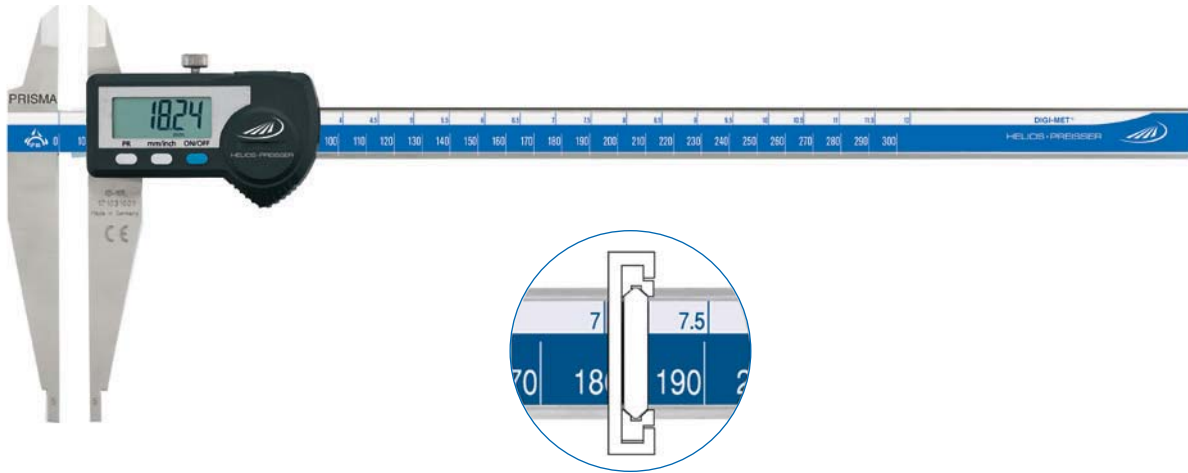
	Order no.	List price EUR
Battery, 3V-Lithium, CR 2032	0220 704	3.70
Data cable DATA VARIABLE to USB	1998 720	69.00
Data cable DATA VARIABLE to digimatic	1998 501	61.00
Data cable DATA VARIABLE to RS232	1997 501	48.00



1338 DIGI-MET® Workshop caliper PRISMA



1



Model

- Double prisma guide with excellent sliding characteristics
- Stainless steel
- Accuracy in accordance to DIN 862
- LCD display 10 mm
- Locking screw
- Knife points
- Stepped jaws for inside measurement 10 mm

Functions

- ON / OFF
- **Quick-Start**
- **Quick-Lock** (key lock)
- Set to zero at any point
- mm / inch switching
- PRESET-Function (setting a numerical value)
- Variable data output RS 232 + Digimatic + USB

Delivery

- Wooden case

▶	Measuring range		Jaw length		Reading		Error limit	Order no.	List price
	mm	inch	mm	inch	mm	inch	mm		EUR
▪	0 - 300	0 - 12	90	3.5	0.01	.0005	0.03	1338 522	456.00

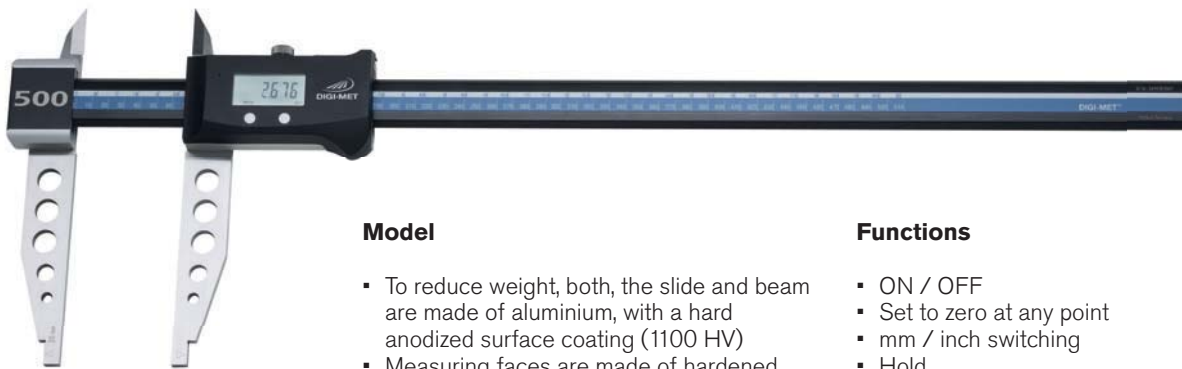


Accessories

	Order no.	List price
		EUR
Battery, 3V-Lithium, CR 2032	0220 704	3.70
Data cable DATA VARIABLE to RS232	1997 501	48.00
Data cable DATA VARIABLE to digimatic	1998 501	61.00
Data cable DATA VARIABLE to USB	1998 720	69.00



0228 DIGI-MET® Workshop calipers lightweight



Model

- To reduce weight, both, the slide and beam are made of aluminium, with a hard anodized surface coating (1100 HV)
- Measuring faces are made of hardened stainless steel
- Factory standard
- Smoother, more even movement due to the double V-guide
- LCD display
- Locking screw
- Knife points

Functions

- ON / OFF
- Set to zero at any point
- mm / inch switching
- Hold
- PRESET-Function (setting a numerical value)

Delivery

- Wooden case

✕	📏	Measuring range		Jaw length		Reading		Error limit	Order no.	List price
		mm	inch	mm	inch	mm	inch	mm		EUR
		0 - 300	0 - 12	90	3.5	0.01	.0005	0.03	0228 701	473.00
		0 - 500	0 - 20	150	6.0	0.01	.0005	0.03	0228 702	658.00
		0 - 800	0 - 31	150	6.0	0.01	.0005	0.08	0228 703	925.00
		0 - 1000	0 - 39	150	6.0	0.01	.0005	0.08	0228 704	1091.00
	▪	0 - 1500	0 - 59	150	6.0	0.01	.0005	0.1	0228 724	2753.00
	▪	0 - 2000	0 - 79	150	6.0	0.01	.0005	0.12	0228 726	3273.00

Accessories

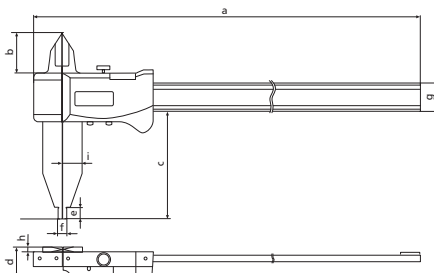
Battery, 3V-Lithium, CR 2032

Order no.

0220 704

List price

EUR
3.70

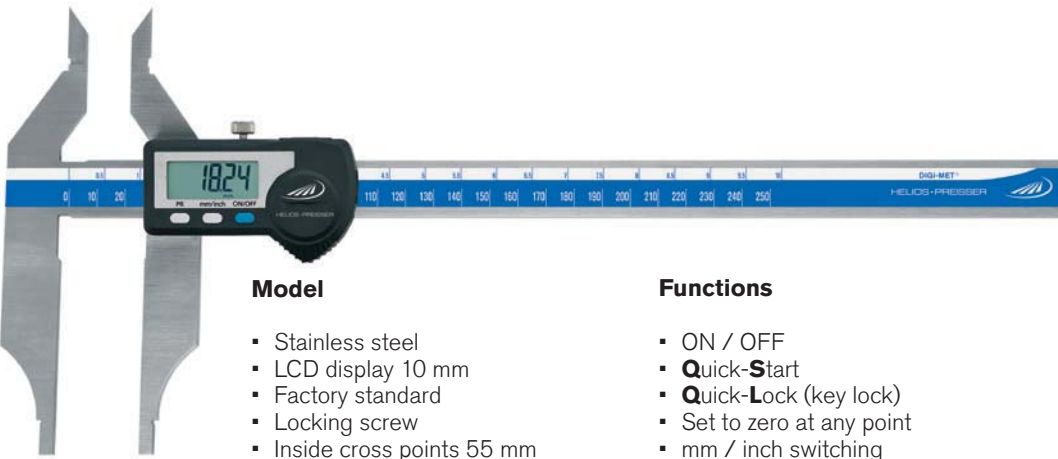


Measuring range	a	b	c	d	e	f	g	h	i
300	450	33	90	24.5	10	10	25.0	4.5	17.0
500	726	42	150	33.5	15	20	31.9	6.0	29.0
800	1026	42	150	33.5	15	20	31.9	6.0	29.0
1000	1226	42	150	33.5	15	20	31.9	6.0	29.0
1500	1726	42	200	33.5	15	20	31.9	6.0	29.0
2000	2226	42	200	33.5	15	20	31.9	6.0	29.0



HELIOS · PREISSER

1351 DIGI-MET® Caliper with cross points



1

Model

- Stainless steel
- LCD display 10 mm
- Factory standard
- Locking screw
- Inside cross points 55 mm

Functions

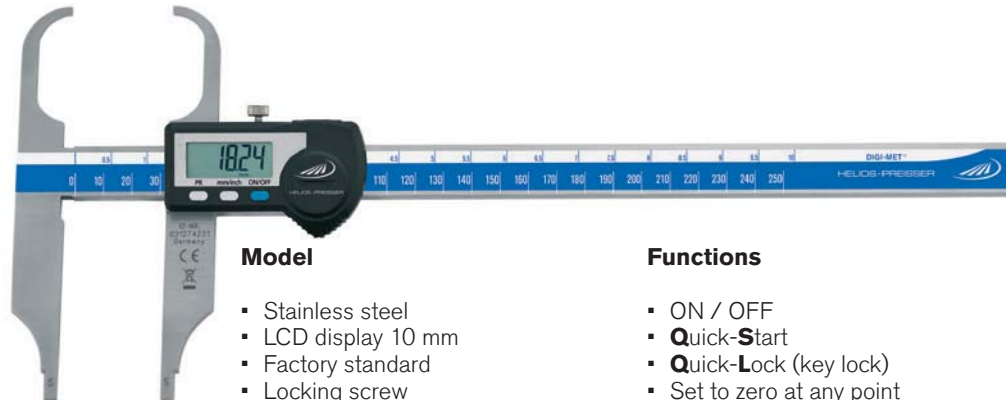
- ON / OFF
- **Quick-Start**
- **Quick-Lock** (key lock)
- Set to zero at any point
- mm / inch switching
- PRESET-Function (setting a numerical value)
- Variable data output RS 232 + Digimatic + USB

Delivery

- Wooden case

Measuring range	Jaw length		Reading		Error limit	Order no.	List price	
	mm	inch	mm	inch				mm
0 - 250	0 - 10	80	3.2	0.01	.0005	0.03	1351 920	479.00

1354 DIGI-MET® Caliper with gripper points



Model

- Stainless steel
- LCD display 10 mm
- Factory standard
- Locking screw
- Gripper points 55 mm

Functions

- ON / OFF
- **Quick-Start**
- **Quick-Lock** (key lock)
- Set to zero at any point
- mm / inch switching
- Hold
- PRESET-Function (setting a numerical value)

- Variable data output RS 232 + Digimatic + USB

Delivery

- Wooden case

Measuring range	Jaw length		Reading		Error limit	Order no.	List price	
	mm	inch	mm	inch				mm
0 - 250	0 - 10	75	3.0	0.01	.0005	0.03	1354 520	566.00



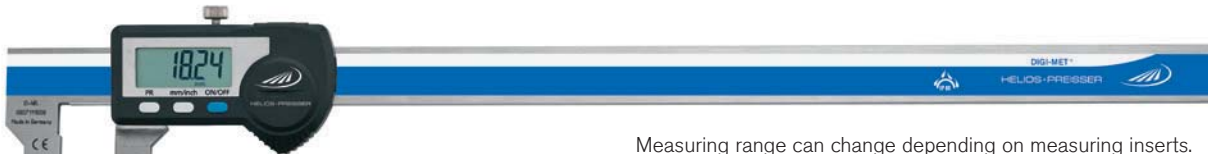
1998720 1997501 1998501

Accessories

Accessories	Order no.	List price
		EUR
Battery, 3V-Lithium, CR 2032	0220 704	3.70
Data cable DATA VARIABLE to RS232	1997 501	48.00
Data cable DATA VARIABLE to digimatic	1998 501	61.00
Data cable DATA VARIABLE to USB	1998 720	69.00

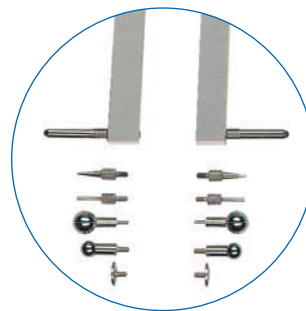


1348 DIGI-MET® Universal calipers

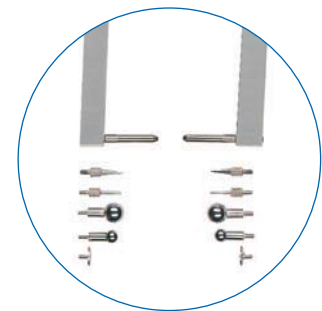


→ ← 12 mm at measuring range 300
16 mm at measuring range 500

Measuring range can change depending on measuring inserts.



for internal measurements



for external measurements

Model

- Stainless steel
- Factory standard
- LCD display 10 or 12.5 mm
- Locking screw
- For internal and external measurements
- Individually adaptable on problematic tasks through measuring inserts with thread M 2.5

Functions

- ON / OFF
- **Quick-Start**
- **Quick-Lock** (key lock)
- Set to zero at any point
- mm / inch switching
- PRESET-Function (setting a numerical value)
- Variable data output RS 232 + Digimatic + USB

Delivery

- Wooden box
- Without measuring inserts
(correct measuring inserts with thread M 2.5 see pages 137 - 140)

⊗	Measuring range		Jaw length		Reading		Error limit	Order no.	List price
	mm	inch	mm	inch	mm	inch			
	0 - 300	0 - 12	90	3.5	0.01	.0005	0.06	1348 722	583.00
	0 - 500	0 - 20	100	4.0	0.01	.0005	0.06	1348 728	747.00



1998720 1998501 1997501

Accessories

	Order no.	List price
Battery, 3V-Lithium, CR 2032	0220 704	3.70
Data cable DATA VARIABLE to RS232	1997 501	48.00
Data cable DATA VARIABLE to digimatic	1998 501	61.00
Data cable DATA VARIABLE to USB	1998 720	69.00



0250 Contraction vernier calipers



Model

- Stainless steel
- Reading parts have a satin chrome finish
- Factory standard
- Locking screw
- With interchangeable hardened scribing jaws
- Low-set master scale
- High-precision laser graduation on the vernier and scale
- Stepped jaws for inside measurement: 10 mm* and / or 20 mm

Delivery

- Cardboard box

Measuring range mm	Jaw length mm	Reading mm	Order no.	List price EUR
Direct reading for internal and external measurement				
0 - 300	90	0.05	0250 501*	245.00
0 - 500	150	0.05	0250 502	667.00
0 - 600	150	0.05	0250 503	791.00
0 - 800	150	0.05	0250 504	998.00
0 - 1000	150	0.05	0250 505	1213.00
Contraction scale divisions 1.0% - 1.5% - 2.0% - 1/1 mm				
0 - 300	90	0.1	0250 511*	264.00
0 - 500	150	0.1	0250 512	700.00
0 - 600	150	0.1	0250 513	832.00
0 - 800	150	0.1	0250 514	1070.00
0 - 1000	150	0.1	0250 515	1300.00
Contraction scale divisions 0.5% - 0.8% - 1.0% - 1/1 mm				
0 - 300	90	0.1	0250 521*	264.00
0 - 500	150	0.1	0250 522	700.00
0 - 600	150	0.1	0250 523	832.00
0 - 800	150	0.1	0250 524	1070.00
0 - 1000	150	0.1	0250 525	1300.00
Contraction scale divisions 1.0% - 1.25% - 1.5% - 1/1 mm				
0 - 300	90	0.1	0250 531*	264.00
0 - 500	150	0.1	0250 532	700.00
0 - 600	150	0.1	0250 533	832.00
0 - 800	150	0.1	0250 534	1070.00
0 - 1000	150	0.1	0250 535	1300.00
Contraction scale divisions 1.75% - 2.0% - 2.5% - 1/1 mm				
0 - 300	90	0.1	0250 541*	264.00
0 - 500	150	0.1	0250 542	700.00
0 - 600	150	0.1	0250 543	832.00
0 - 800	150	0.1	0250 544	1070.00
0 - 1000	150	0.1	0250 545	1300.00



0250 Contraction vernier calipers



» ¼	Measuring range mm	Jaw length mm	Reading mm	Order no.	List price EUR
Contraction scale divisions 1.0% - 1.25% - 2.0% - 1/1 mm					
	0 - 300	90	0.1	0250 551*	264.00
	0 - 500	150	0.1	0250 552	700.00
	0 - 600	150	0.1	0250 553	832.00
	0 - 800	150	0.1	0250 554	1070.00
	0 - 1000	150	0.1	0250 555	1300.00
Contraction scale divisions 0.3% - 0.4% - 0.6% - 1/1 mm					
	0 - 300	90	0.1	0250 561*	264.00
	0 - 500	150	0.1	0250 562	700.00
	0 - 600	150	0.1	0250 563	832.00
	0 - 800	150	0.1	0250 564	1070.00
	0 - 1000	150	0.1	0250 565	1300.00
Contraction scale divisions 1.0% - 1.25% - 1.5% - 2.0%					
	0 - 300	90	0.1	0250 571*	277.00
	0 - 500	150	0.1	0250 572	772.00
	0 - 600	150	0.1	0250 573	918.00
	0 - 800	150	0.1	0250 574	1155.00
	0 - 1000	150	0.1	0250 575	1403.00

0250 Interchangeable points (pair) for contraction vernier calipers



Model

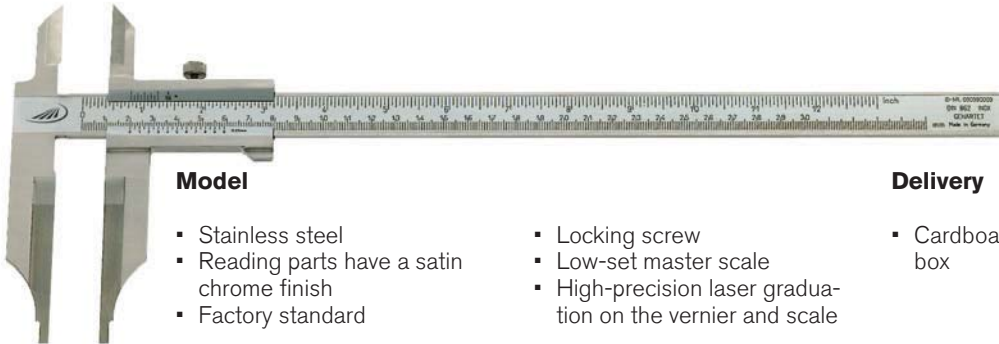
- Ø 3.0 mm and Ø 4.0 mm

» ¼	Description	Order no.	List price EUR
	For measuring range 300 mm, steel, hardened	0250 101	5.70
	For measuring range 500 + 600 mm, steel, hardened	0250 102	11.40
	For measuring range 800 + 1000 mm, steel, hardened	0250 103	15.60
	For measuring range 300 mm, carbide	0250 201	57.00
	For measuring range 500 + 600 mm, carbide	0250 202	82.00



HELIOS · PREISSER

0262 Caliper for external locking grooves

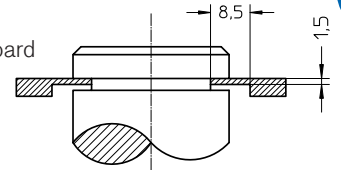


Model

- Stainless steel
- Reading parts have a satin chrome finish
- Factory standard
- Locking screw
- Low-set master scale
- High-precision laser graduation on the vernier and scale

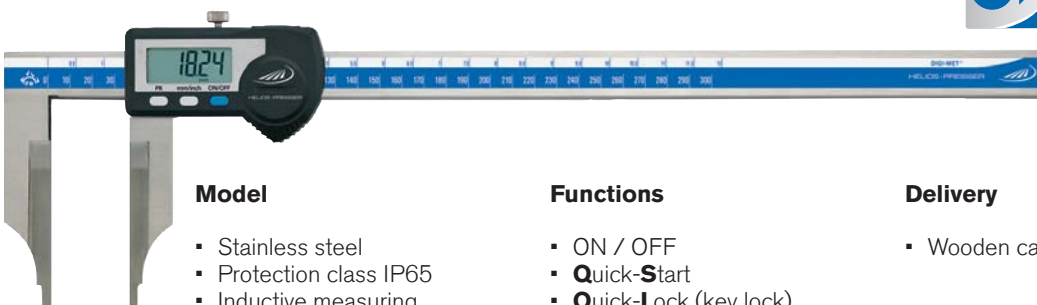
Delivery

- Cardboard box



✕	Measuring range		Jaw length		Reading		Error limit	Order no.	List price
	mm	inch	mm	inch	mm	inch			
	0 - 300	0 - 12	90	3.5	0.05	1/128	0.03	0262 503	EUR 260.00

1353 DIGI-MET® Caliper for external locking grooves



Model

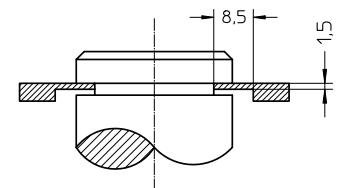
- Stainless steel
- Protection class IP65
- Inductive measuring system
- LCD display 10 mm
- Locking screw
- Factory standard

Functions

- ON / OFF
- Quick-Start
- Quick-Lock (key lock)
- Set to zero at any point
- mm / inch switching
- PRESET-Function (setting a numerical value)
- Variable data output RS 232 + Digimatic + USB

Delivery

- Wooden case



✕	Measuring range		Jaw length		Reading		Error limit	Order no.	List price
	mm	inch	mm	inch	mm	inch			
	0 - 300	0 - 12	90	3.5	0.01	.0005	0.03	1353 522	EUR 471.00



1998720 1997501 1998501

Accessories

	Order no.	List price
Battery, 3V-Lithium, CR 2032	0220 704	3.70
Data cable DATA VARIABLE to RS232	1997 501	48.00
Data cable DATA VARIABLE to digimatic	1998 501	61.00
Data cable DATA VARIABLE to USB	1998 720	69.00



0252 Brake drum vernier calipers



Model

- Stainless steel
- Vernier satin chrome finished
- Factory standard
- Locking screw
- Low-set master scale
- High-precision laser graduation on the vernier and scale

Delivery

- Cardboard box

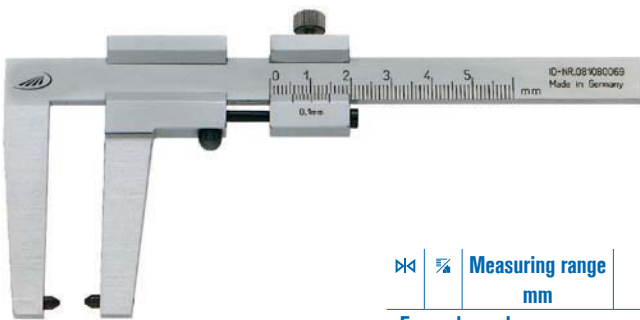
✕	¼	Measuring range		Jaw length mm	Reading mm	Error limit mm	Order no.	List price EUR
		Internal mm	External mm					
		40 - 300	0 - 300	90	0.05	0.1	0252 201	137.00
		50 - 500	0 - 500	150	0.05	0.14	0252 202	264.00
		50 - 600	0 - 600	200	0.05	0.16	0252 203	289.00

0252 Replacement points (pair) for brake drum vernier caliper



✕	¼	Description	Order no.	List price EUR
		For measuring range 300 mm	0252 291	4.20
		For measuring range 500 + 600 mm	0252 293	5.20

0253 Brake disc inspection gauges



Model

- Special steel
- Reading parts have a satin chrome finish
- Factory standard
- Locking screw
- With trailing vernier
- High-precision laser graduation on the vernier and scale

Delivery

- Cardboard box

✕	¼	Measuring range mm	Jaw length mm	Reading mm	Error limit mm	Order no.	List price EUR
For motorcycles							
		0 - 50	30	0.1	0.1	0253 300	81.00
For cars							
		0 - 50	50	0.1	0.14	0253 301	81.00
For trucks							
		0 - 80	50	0.1	0.16	0253 302	103.00

0253 Replacement points (pair) for brake disc inspection gauge



✕	¼	Order no.	List price EUR
		0253 391	3.70



HELIOS · PREISSER

1352 DIGI-MET® Calipers for interval grooves



Model

- Stainless steel
- LCD display 7.5 mm
- Factory standard
- Locking screw

Functions

- ON / OFF
- **Quick-Start**
- **Quick-Lock** (key lock)
- Set to zero at any point
- mm / inch switching
- PRESET-Function (setting a numerical value)

- Variable data output RS 232 + Digimatic + USB

Delivery

- Wooden case

Measuring range	Jaw length		Reading		Error limit	Order no.	List price EUR
	mm	mm	inch	mm	inch		
10 - 160	25	1.0	0.01	0.01	0.06	1352 516	372.00
20 - 160	40	1.5	0.01	0.01	0.06	1352 517	419.00
26 - 200	60	2.3	0.01	0.01	0.06	1352 518	768.00
30 - 250	80	3.1	0.01	0.01	0.06	1352 520	864.00
35 - 300	100	3.9	0.01	0.01	0.06	1352 522	901.00

0258 Calipers for interval grooves

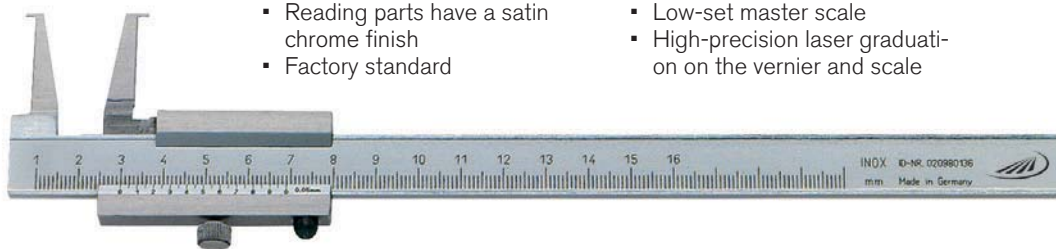


Model

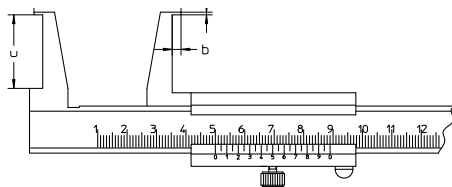
- Stainless steel
- Reading parts have a satin chrome finish
- Factory standard

Delivery

- Cardboard box



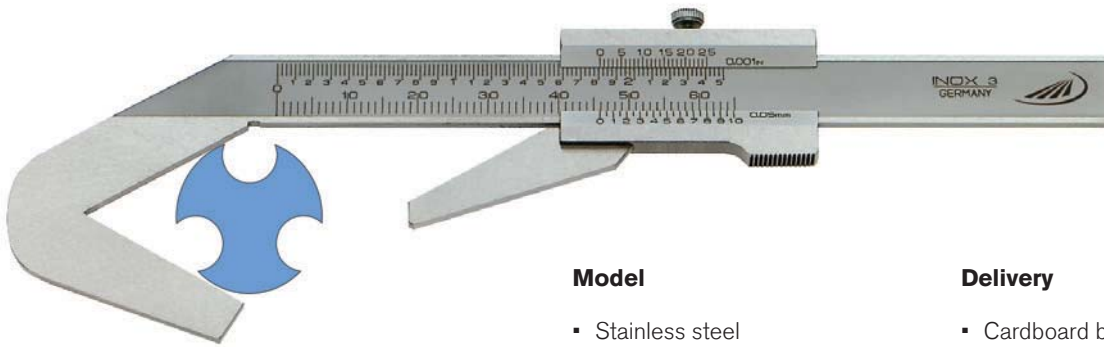
Measuring range	Jaw length		Reading mm	Error limit mm	Order no.	List price EUR
	mm	inch				
10 - 160	25	1.0	0.05	0.1	0258 501	138.00
20 - 160	40	1.5	0.05	0.1	0258 502	184.00
26 - 200	60	2.3	0.05	0.1	0258 503	283.00
30 - 250	80	3.1	0.05	0.1	0258 504	320.00
35 - 300	100	3.9	0.05	0.1	0258 505	357.00



Measuring range	a	b
10 - 160	0.9	3.0
20 - 160	2.0	5.0
26 - 200	3.0	7.0
30 - 250	4.0	8.5
35 - 300	5.0	10.0



0260 Calipers for 3/5 point measurement



Model

- Stainless steel
- Reading parts have a satin chrome finish
- Locking screw
- Factory standard

Delivery

- Cardboard box

Marked	Marked	Measuring range mm	Reading mm	inch	Error limit mm	Order no.	List price EUR
		3 point measurement					
		4 - 40	0.05	1/128	0.05	0260 501	71.00
		5 point measurement					
		2 - 40	0.05	1/128	0.05	0260 502	71.00

0268 Milling tool caliper

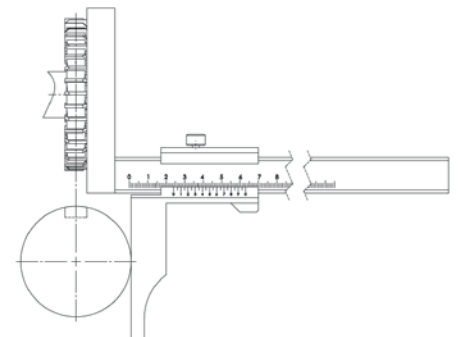


Model

- Stainless steel
- Vernier satin chrome finished
- Factory standard
- Setting of milling cutters, can be used as height gauge

Delivery

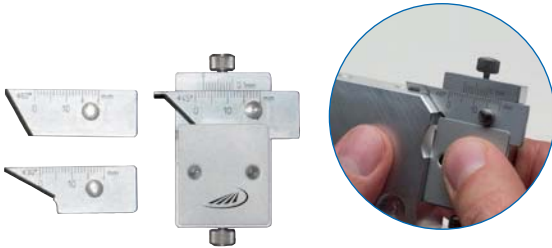
- Cardboard box



Marked	Marked	Measuring range mm	Jaw length mm	Reading mm	Error limit mm	Order no.	List price EUR
		0 - 200	80	0.05	0.05	0268 518	175.00
		0 - 300	80	0.05	0.05	0268 522	187.00



0597 Chamfer gauge



Model

- Stainless steel
- Reading 0.1 mm
- Reading parts are satin chrome finished
- For simultaneously testing of the chamfer angle and the dimensional accuracy
- Dimensions: 48 x 30 x 8.5 mm

Delivery

- 3 interchangeable blades: 30°, 45°, 60°

1

⏏	⚙	Measuring range mm	Reading mm	Order no.	List price EUR
		0 - 10	0.10	0597 301	168.00

0597 Radius gauge



Model

- To determine radius size workpieces
- Stainless steel
- Reading parts are satin chrome finished

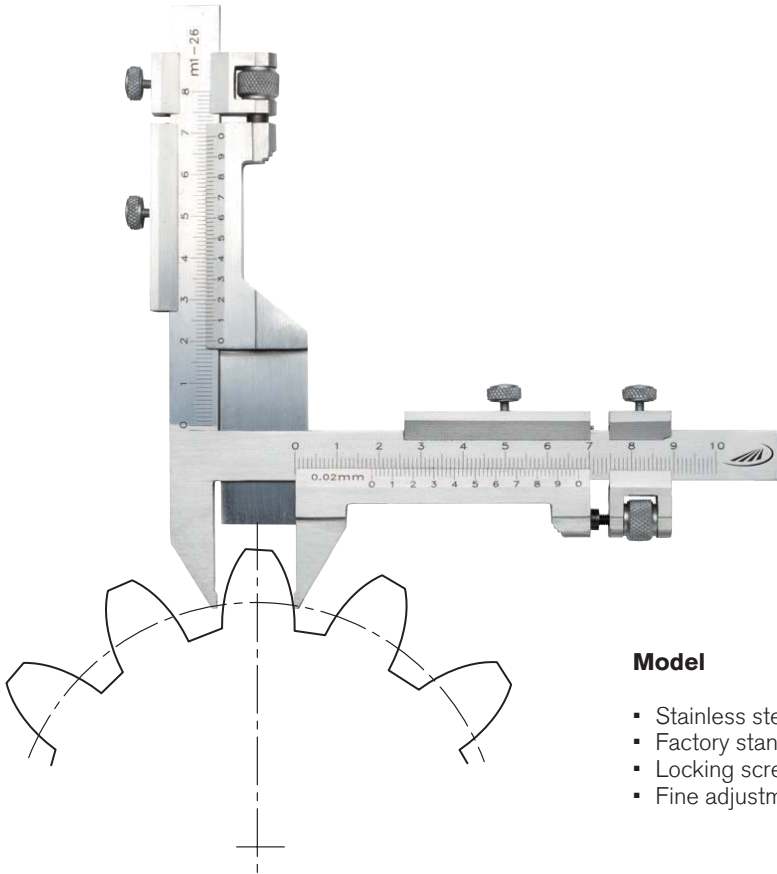
Delivery

- Wooden case

⏏	⚙	Measuring range mm	Reading mm	Order no.	List price EUR
		0 - 10	0.10	0597 305	168.00



0268 Gear tooth calipers



Model

- Stainless steel
- Factory standard
- Locking screw
- Fine adjustment

Delivery

- Wooden case

⌘	⚙	Measuring range mm	Reading mm	Error limit mm	Order no.	List price EUR
Hardened jaw tips						
		0 - 26	0.02	0.1	0268 201	296.00
Carbide tipped jaw tips						
		0 - 26	0.02	0.1	0268 211	361.00



0280 / 0281 Vernier depth gauges



1



0280 501



0281 501

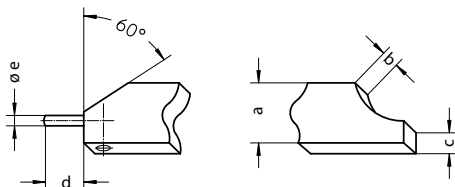
Model

- Stainless steel
- Reading parts have a satin chrome finish
- DIN 862
- Low-set master scale
- Locking screw
- Measuring rod with interchangeable pin
- High-precision laser graduation on the vernier and scale

Delivery

- Cardboard box

»	%	Measuring range		Base length	Reading	Error limit	Order no.	List price
		mm	inch	mm	mm	mm		EUR
Vernier satin chrome finished. measuring rod with interchangeable pin (factory standard)								
▪		0 - 80		50	0.05	0.05	0280 501	59.00
Vernier satin chrome finished. reversible measuring rod with interchangeable pin								
▪		0 - 150	0 - 6	100	0.05	0.05	0281 201	78.00
▪		0 - 200	0 - 8	100	0.05	0.05	0281 202	81.00
▪		0 - 250	0 - 10	130	0.05	0.05	0281 204	90.00
▪		0 - 300	0 - 12	150	0.05	0.05	0281 205	102.00
Vernier + scale satin chrome finished. reversible measuring rod with interchangeable pin								
▪		0 - 150	0 - 6	100	0.05	0.05	0281 501	85.00
▪		0 - 200	0 - 8	100	0.05	0.05	0281 502	88.00
▪		0 - 250	0 - 10	130	0.05	0.05	0281 504	101.00
▪		0 - 300	0 - 12	150	0.05	0.05	0281 505	110.00



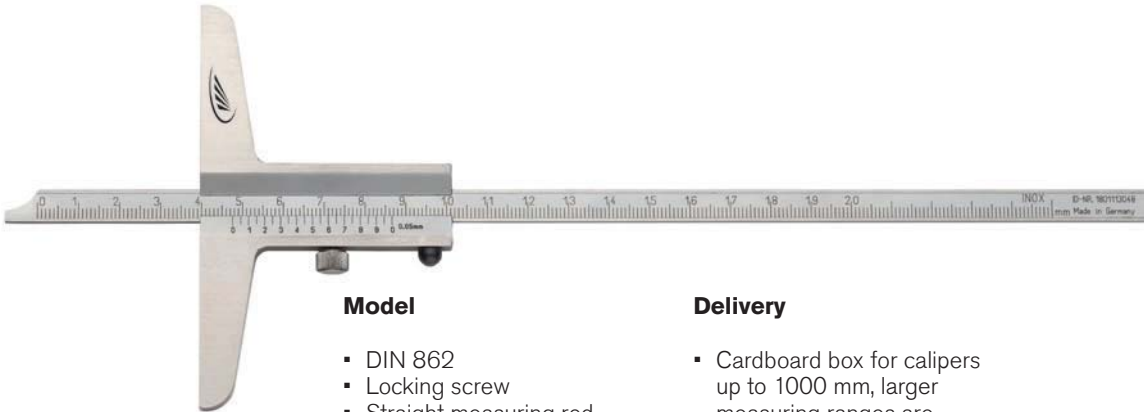
Measuring range	a	b	c	d	e
0 - 80	8.0	3.0	-	6.0	1.0
150 - 200	8.0	3.0	3.5	8.0	1.5
250 - 300	12.0	4.0	4.0	8.0	2.0



0282 Vernier depth gauges



**DIN
862**



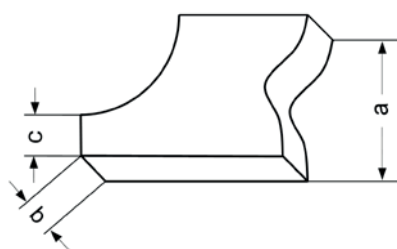
Model

- DIN 862
- Locking screw
- Straight measuring rod
- Low-set master scale
- High-precision laser graduation on the vernier and scale

Delivery

- Cardboard box for calipers up to 1000 mm, larger measuring ranges are individually packed

»	%	Measuring range		Base length mm	Reading mm	Error limit mm	Order no.	List price EUR
		mm	inch					
Stainless steel, vernier satin chrome finished								
▪		0 - 150	0 - 6	100	0.05	0.05	0282 201	69.00
▪		0 - 200	0 - 8	100	0.05	0.05	0282 202	71.00
▪		0 - 300	0 - 12	100	0.05	0.05	0282 203	82.00
▪		0 - 250	0 - 10	130	0.05	0.05	0282 204	79.00
▪		0 - 300	0 - 12	150	0.05	0.05	0282 205	86.00
▪		0 - 400	0 - 16	150	0.05	0.06	0282 206	97.00
▪		0 - 500	0 - 20	150	0.05	0.07	0282 207	133.00
▪		0 - 500	0 - 20	250	0.05	0.07	0282 208	205.00
▪		0 - 800	0 - 31	250	0.05	0.1	0282 209	338.00
▪		0 - 1000	0 - 39	250	0.05	0.12	0282 210	480.00
	▪	0 - 1500	0 - 59	300	0.05	0.18	0282 212	1172.00
	▪	0 - 2000	0 - 79	300	0.05	0.22	0282 213	1540.00
Stainless steel, vernier + scale satin chrome finished								
▪		0 - 150	0 - 6	100	0.05	0.05	0282 501	75.00
▪		0 - 200	0 - 8	100	0.05	0.05	0282 502	79.00
▪		0 - 300	0 - 12	100	0.05	0.05	0282 503	89.00
▪		0 - 250	0 - 10	130	0.05	0.05	0282 504	86.00
▪		0 - 300	0 - 12	150	0.05	0.05	0282 505	95.00
▪		0 - 500	0 - 20	150	0.05	0.07	0282 507	146.00
▪		0 - 500	0 - 20	250	0.05	0.07	0282 508	223.00
▪		0 - 800	0 - 31	250	0.05	0.1	0282 509	371.00
▪		0 - 1000	0 - 39	250	0.05	0.12	0282 510	526.00



Measuring range mm	a	b	c
150 - 200	8.0	3.0	3.5
250 - 500	12.0	4.0	4.0
500 - 1000	20.0	5.0	10.0
1500	25.0	6.0	13.0
2000	30.0	7.0	13.0

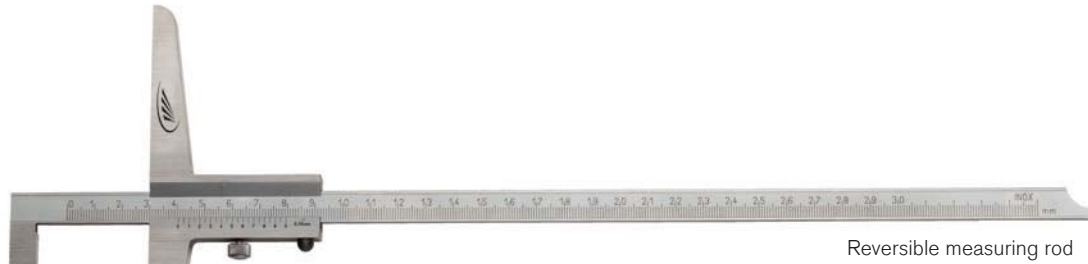


0286 Vernier depth gauges



DIN 862

1



Reversible measuring rod

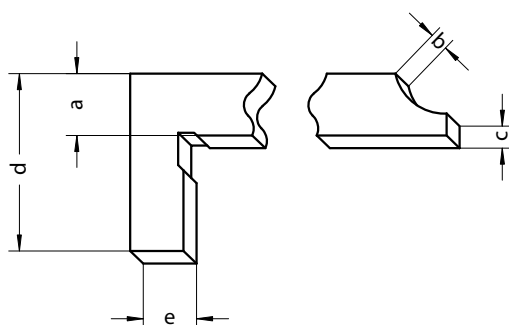
Model

- DIN 862
- Locking screw
- Reversible, L shaped measuring rod
- Scales on both sides
- Low-set master scale

Delivery

- High-precision laser graduation on the vernier and scale
- Cardboard box for calipers up to 1000 mm, larger measuring ranges are individually packed

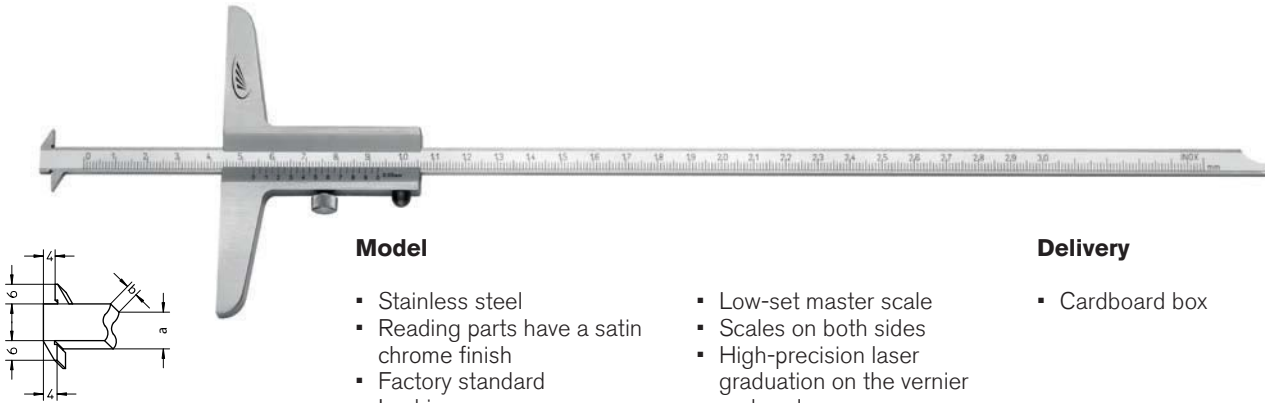
»	%	Measuring range		Base length mm	Reading mm	Error limit mm	Order no.	List price EUR
		mm	inch					
Stainless steel, vernier satin chrome finished								
▪		0 - 150	0 - 6	100	0.05	0.05	0286 201	82.00
▪		0 - 200	0 - 8	100	0.05	0.05	0286 202	84.00
▪		0 - 250	0 - 10	130	0.05	0.05	0286 204	95.00
▪		0 - 300	0 - 12	150	0.05	0.05	0286 205	102.00
▪		0 - 400	0 - 16	150	0.05	0.06	0286 206	126.00
▪		0 - 500	0 - 20	150	0.05	0.07	0286 207	160.00
▪		0 - 500	0 - 20	250	0.05	0.07	0286 208	268.00
▪		0 - 800	0 - 31	250	0.05	0.1	0286 209	420.00
▪		0 - 1000	0 - 39	250	0.05	0.12	0286 210	583.00
	▪	0 - 1500	0 - 59	300	0.05	0.18	0286 212	1259.00
	▪	0 - 2000	0 - 79	300	0.05	0.22	0286 213	1623.00
Stainless steel, vernier + scale satin chrome finished								
▪		0 - 150	0 - 6	100	0.05	0.05	0286 501	89.00
▪		0 - 200	0 - 8	100	0.05	0.05	0286 502	90.00
▪		0 - 250	0 - 10	130	0.05	0.05	0286 504	104.00
▪		0 - 300	0 - 12	150	0.05	0.05	0286 505	110.00
▪		0 - 500	0 - 20	150	0.05	0.07	0286 507	177.00
▪		0 - 500	0 - 20	250	0.05	0.07	0286 508	372.00
▪		0 - 800	0 - 31	250	0.05	0.1	0286 509	502.00
▪		0 - 1000	0 - 39	250	0.05	0.12	0286 510	639.00



Measuring range mm	a	b	c	d	e
150 - 200	8.0	3.0	3.5	20.0	5.0
250 - 500	12.0	4.0	4.0	28	10
500 - 1000	20.0	5.0	10.0	70.0	19.0
1500	25.0	6.0	13.0	90.0	24.0
2000	30.0	7.0	13.0	90.0	29.0



0292 Offset vernier depth gauges



Model

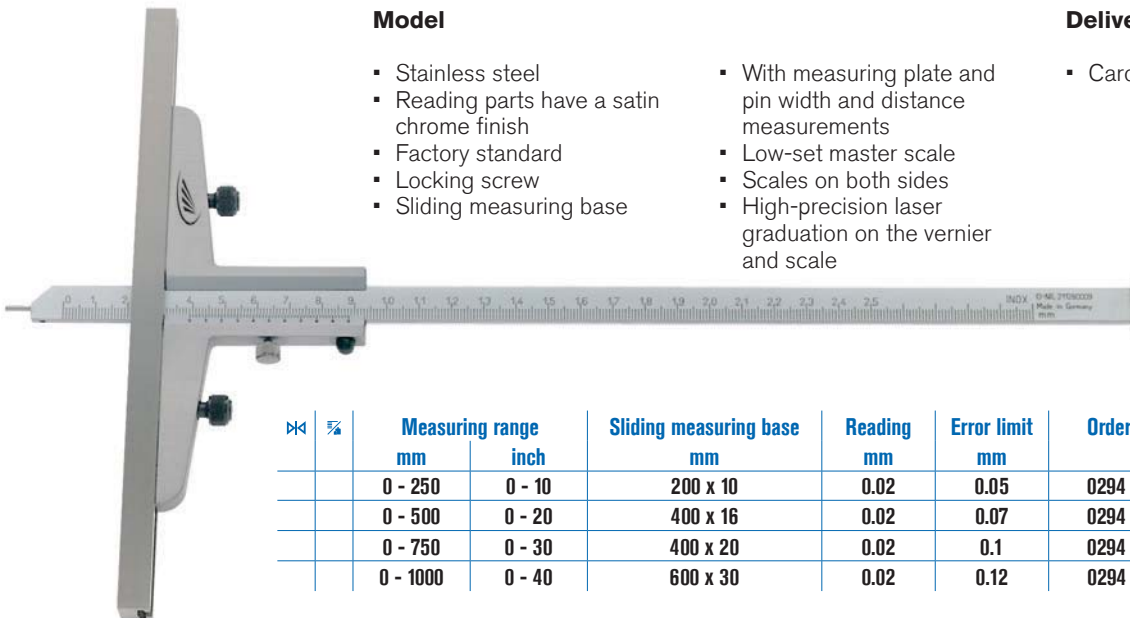
- Stainless steel
- Reading parts have a satin chrome finish
- Factory standard
- Locking screw
- Reversible, offset meas. rod
- Low-set master scale
- Scales on both sides
- High-precision laser graduation on the vernier and scale

Delivery

- Cardboard box

✕	%	Measuring range		Base length mm	Reading mm	Error limit mm	Order no.	List price EUR
		mm	inch					
		0 - 200	0 - 8	100	0.05	0.05	0292 501	84.00
		0 - 300	0 - 12	100	0.05	0.05	0292 502	96.00

0294 Vernier depth gauges with sliding measuring base



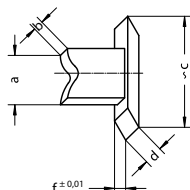
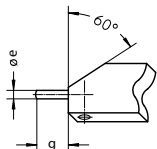
Model

- Stainless steel
- Reading parts have a satin chrome finish
- Factory standard
- Locking screw
- Sliding measuring base
- With measuring plate and pin width and distance measurements
- Low-set master scale
- Scales on both sides
- High-precision laser graduation on the vernier and scale

Delivery

- Cardboard box

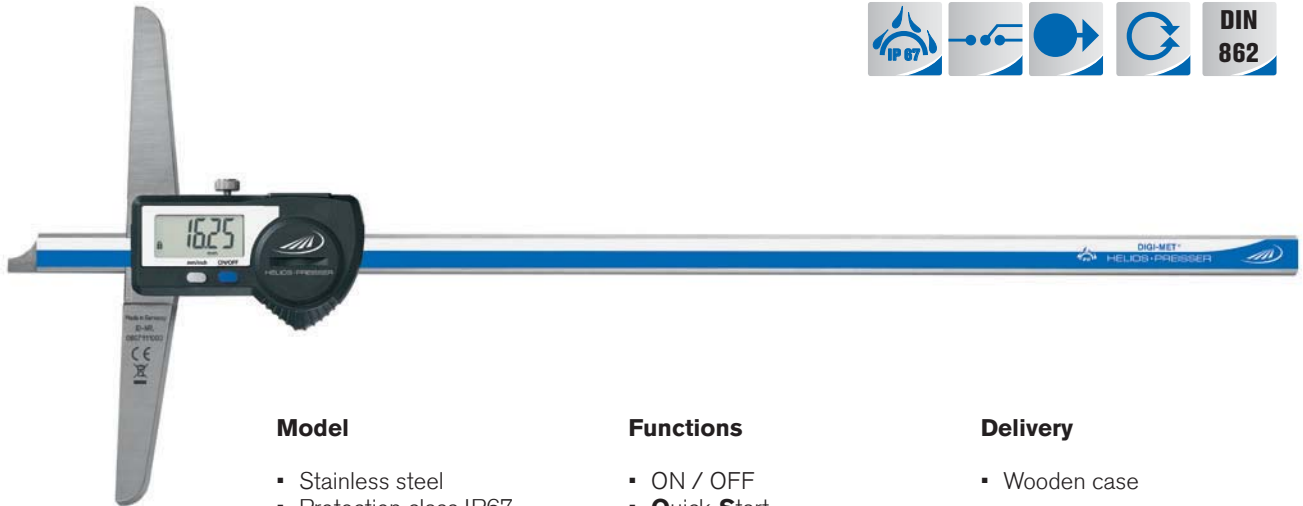
✕	%	Measuring range		Sliding measuring base mm	Reading mm	Error limit mm	Order no.	List price EUR
		mm	inch					
		0 - 250	0 - 10	200 x 10	0.02	0.05	0294 504	451.00
		0 - 500	0 - 20	400 x 16	0.02	0.07	0294 505	720.00
		0 - 750	0 - 30	400 x 20	0.02	0.1	0294 506	1119.00
		0 - 1000	0 - 40	600 x 30	0.02	0.12	0294 507	1517.00



Measuring range mm	a	b	c	d	e	f	g
250 - 500	12.0	4.0	18.0	6.0	2.0	2.0	8.0
750 - 1000	20.0	5.0	30.0	8.0	3.0	3.0	8.0



1360 DIGI-MET® Depth gauges



1

Model

- Stainless steel
- Protection class IP67
- LCD display 7.5 mm
- DIN 862
- Locking screw
- Straight measuring rod

Functions

- ON / OFF
- **Quick-Start**
- **Quick-Lock** (key lock)
- Set to zero at any point
- mm / inch switchin
- Variable data output RS 232 + Digimatic + USB

Delivery

- Wooden case

▶	Measuring range		Base length mm	Reading		Error limit mm	Order no.	List price EUR
	mm	inch		mm	inch			
▪	0 - 150	0 - 6	100	0.01	.0005	0.03	1360 716	316.00
▪	0 - 200	0 - 8	100	0.01	.0005	0.03	1360 718	358.00
▪	0 - 300	0 - 12	150	0.01	.0005	0.03	1360 722	402.00
▪	0 - 500	0 - 20	150	0.01	.0005	0.03	1360 728	462.00
▪	0 - 1000	0 - 39	250	0.01	.0005	0.04	1360 734	1315.00
▪	0 - 1500	0 - 59	250	0.01	.0005	0.05	1360 738	2006.00
▪	0 - 2000	0 - 80	250	0.01	.0005	0.06	1360 740	2381.00



Accessories

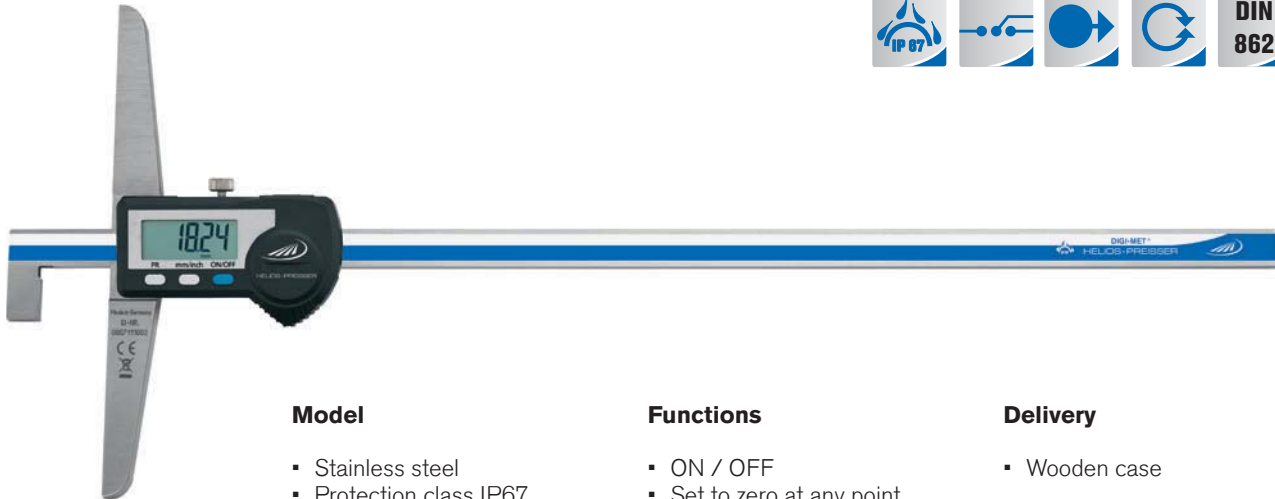
	Order no.	List price EUR
Battery, 3V-Lithium, CR 2032	0220 704	3.70
Data cable DATA VARIABLE to RS232	1997 501	48.00
Data cable DATA VARIABLE to digimatic	1998 501	61.00
Data cable DATA VARIABLE to USB	1998 720	69.00



1362 DIGI-MET® Depth gauges



**DIN
862**



Model

- Stainless steel
- Protection class IP67
- LCD display 7,5 mm
- Locking screw
- L-shaped measuring rod
- Larger measuring ranges are available upon request
- Factory standard

Functions

- ON / OFF
- Set to zero at any point
- mm / inch switching
- **Quick-Start**
- **Quick-Lock** (key lock)
- PRESET-Function (setting a numerical value)
- Variable data output RS 232 + Digimatic + USB

Delivery

- Wooden case

Marked	Measuring range		Base length	Reading		Error limit	Order no.	List price
	mm	inch		mm	inch			
▪	0 - 300	0 - 12	150	0.01	.0005	0.03	1362 722	412.00
▪	0 - 500	0 - 20	150	0.01	.0005	0.03	1362 728	479.00



1998720

1997501

1998501

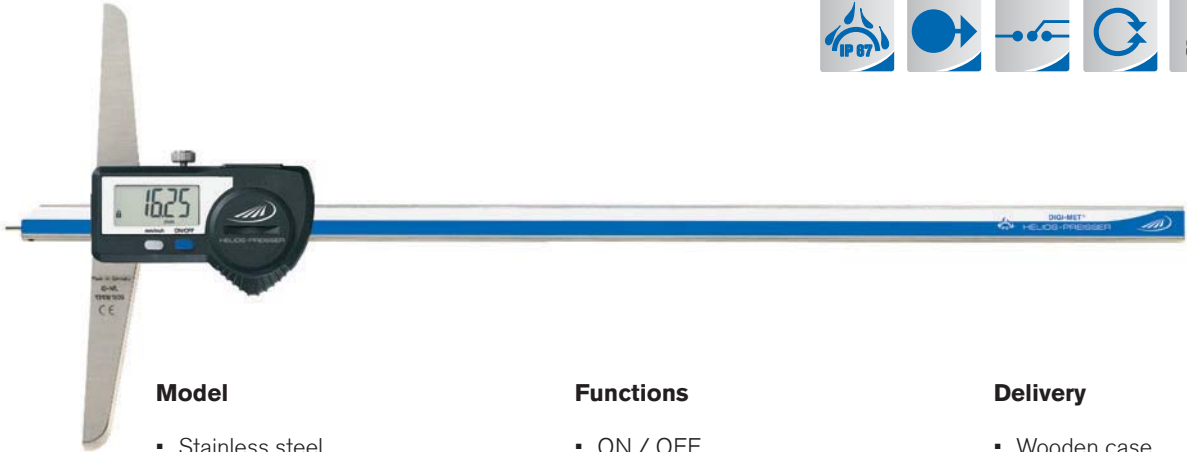
Accessories

	Order no.	List price
Battery, 3V-Lithium, CR 2032	0220 704	3.70
Data cable DATA VARIABLE to RS232	1997 501	48.00
Data cable DATA VARIABLE to digimatic	1998 501	61.00
Data cable DATA VARIABLE to USB	1998 720	69.00



HELIOS · PREISSER

1364 DIGI-MET® Depth gauges



1

Model

- Stainless steel
- Protection class IP67
- LCD display 7.5 mm
- DIN 862
- Locking screw
- Replaceable pin
- Larger measuring ranges are available upon request

Functions

- ON / OFF
- **Quick-Start**
- **Quick-Lock** (key lock)
- Set to zero at any point
- mm / inch switching
- Variable data output RS 232 + Digimatic + USB

Delivery

- Wooden case

▣	Measuring range		Base length mm	Reading		Error limit mm	Order no.	List price EUR
	mm	inch		mm	inch			
▪	0 - 200	0 - 8	100	0.01	.0005	0.03	1364 722	390.00
▪	0 - 300	0 - 12	150	0.01	.0005	0.03	1364 728	434.00

Accessories



1998720 1997501 1998501

Accessories	Order no.	List price EUR
Battery, 3V-Lithium, CR 2032	0220 704	3.70
Data cable DATA VARIABLE to RS232	1997 501	48.00
Data cable DATA VARIABLE to digimatic	1998 501	61.00
Data cable DATA VARIABLE to USB	1998 720	69.00

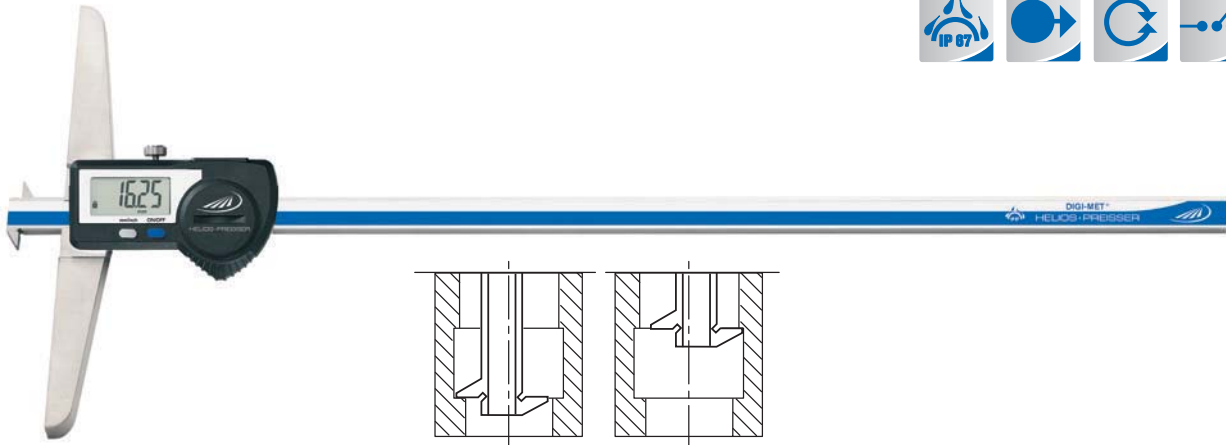
0276 Replacement measuring pin



▣	▣	Diameter mm	Order no.	List price EUR
		2	0276 711	6.10



1366 DIGI-MET® Offset depth gauges



Model

- Stainless steel
- Inductive measuring system, protection class IP67
- LCD display 7,5 mm
- Factory standard
- Housing and operating keys have an excellent chemical resistance
- Locking screw

Functions

- ON / OFF
- **Quick-Start**
- **Quick-Lock** (key lock)
- Set to zero at any point
- mm / inch switching
- Variable data output RS 232 + Digimatic + USB

Delivery

- Wooden case

Marked	Measuring range		Base length	Reading		Error limit	Order no.	List price
	mm	inch		mm	inch			
▪	0 - 200	0 - 8	100	0.01	.0005	0.03	1366 718	405.00
▪	0 - 300	0 - 12	150	0.01	.0005	0.03	1366 722	489.00
▪	0 - 500	0 - 20	150	0.01	.0005	0.03	1366 728	616.00



1998720

1997501

1998501

Accessories

Battery, 3V-Lithium, CR 2032

Data cable DATA VARIABLE to RS232

Data cable DATA VARIABLE to digimatic

Data cable DATA VARIABLE to USB

Order no.

0220 704

1997 501

1998 501

1998 720

List price

EUR

3.70

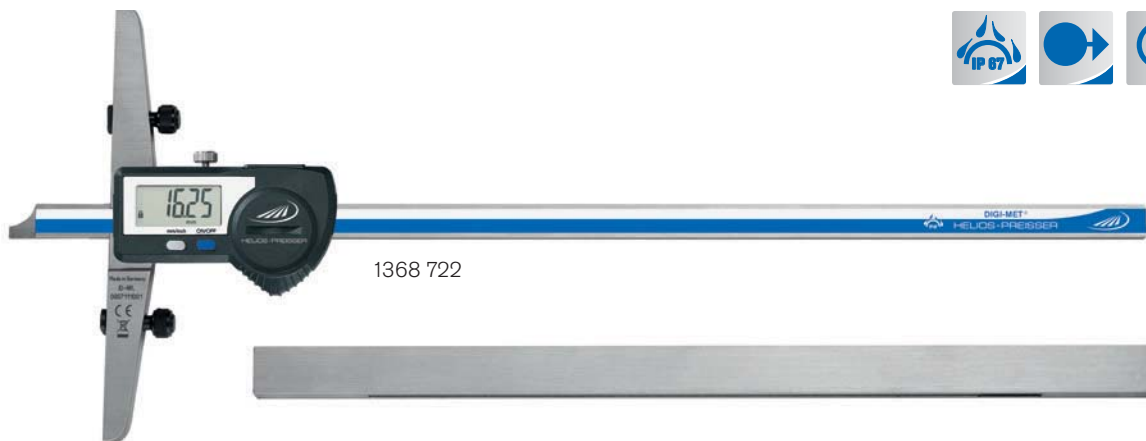
48.00

61.00

69.00



1368 DIGI-MET® Depth gauges



1

Model

- Stainless steel
- Inductive measuring system, protection class IP67
- LCD display 7.5 mm
- Locking screw

Functions

- ON / OFF
- **Quick-Start**
- **Quick-Lock** (key lock)
- Set to zero at any point
- mm / inch switching
- Variable data output RS 232 + Digimatic + USB

Delivery

- Wooden box
- **The sliding measuring base must be ordered separately**

⌘	Measuring range		Base length mm	Reading		Error limit mm	Order no.	List price EUR
	mm	inch		mm	inch			
	0 - 300	0 - 12	150	0.01	.0005	0.03	1368 722	412.00
	0 - 500	0 - 20	150	0.01	.0005	0.03	1368 728	469.00



1998720 1997501 1998501

Accessories

	Order no.	List price EUR
Battery, 3V-Lithium, CR 2032	0220 704	3.70
Data cable DATA VARIABLE to RS232	1997 501	48.00
Data cable DATA VARIABLE to digimatic	1998 501	61.00
Data cable DATA VARIABLE to USB	1998 720	69.00

0279 Sliding measuring base made of stainless steel



0279 722

⌘	Description	Order no.	List price EUR
	300 mm x 16 mm	0279 722	261.00
	400 mm x 16 mm	0279 723	273.00



1371i DIGI-MET® Depth gauges IP67 with integrated wireless



NOVELTY
Data transmission without cable
or radio module



**integrated
IW wireless**



137141 660

Model

- Stainless steel
- Inductive measuring system, protection class IP67
- DIN 862
- Locking screw
- LCD display 11 mm
- Measuring pin dia. 1.5 mm

Functions

- ON / OFF
- **Quick-Start**
- **Quick-Lock** (key lock)
- PRESET-Function (setting a numerical value)
- Set to zero at any point
- mm / inch switching
- Integrated Wireless

Delivery

- Plastic case

✕	🏠	Measuring range		Base length mm	Reading		Error limit mm	Order no.	List price EUR
		mm	inch		mm	inch			
▪		0 - 150	0 - 6	100	0.01	.0005	0.03	137141 660	432.00
▪		0 - 200	0 - 8	100	0.01	.0005	0.03	137141 860	459.00
▪		0 - 300	0 - 12	150	0.01	.0005	0.04	137142 260	516.00
▪		0 - 500	0 - 20	150	0.01	.0005	0.05	137142 860	585.00



1998780

Accessories

Battery, 3V-Lithium, CR 2032
i-Stick USB-receiver for Integrated Wireless

Order no.

0220 704
1998 780

List price EUR

3.70
97.00

Integrated Wireless is intended to be sold in the EU only



1371 DIGI-MET® Depth gauges IP67



IP 67

↻

↺

DIN 862

Model

- Stainless steel
- Inductive measuring system, protection class IP67
- DIN 862
- Locking screw
- LCD display 11 mm
- Measuring pin dia. 1.5 mm

Functions

- ON / OFF
- **Quick-Start**
- **Quick-Lock** (key lock)
- PRESET-Function (setting a numerical value)
- Set to zero at any point
- mm / inch switching

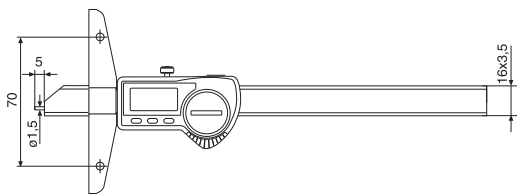
Delivery

- Plastic case



Product video

Measuring range	Measuring range		Base length	Reading		Error limit	Order no.	List price
	mm	inch		mm	mm			
▪	0 - 150	0 - 6	100	0.01	.0005	0.03	1371 416	372.00
▪	0 - 200	0 - 8	100	0.01	.0005	0.03	1371 418	409.00
▪	0 - 300	0 - 12	150	0.01	.0005	0.04	1371 422	456.00
▪	0 - 500	0 - 20	150	0.01	.0005	0.05	1371 428	525.00



Accessories

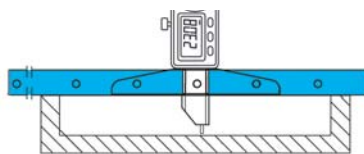
Battery, 3V-Lithium, CR 2032

Order no.	List price
EUR	
0220 704	3.70

1271 Extension depth attachment base



1271 451

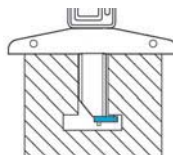


Depth attachment base length mm	Order no.	List price
EUR		
200	1271 451	85.00
300	1271 452	99.00

1271 Measuring insert for distance measurements

Model

- to be attached to the measuring pin



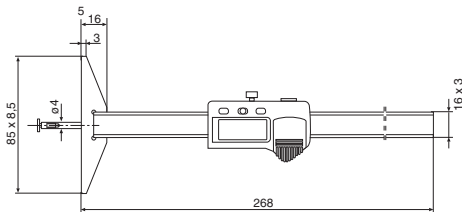
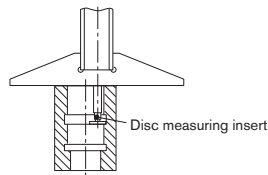
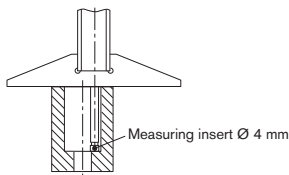
Order no.	List price
EUR	
1271 455	57.00



1376 DIGI-MET® Depth gauge



Example of use



Model

- Stainless steel
- Protection class IP67
- LCD display 7.5 mm
- Locking screw
- Factory standard

Functions

- ON / OFF
- **Quick-Start**
- **Quick-Lock** (key lock)
- Set to zero at any point
- mm / inch switching
- Reversal of counting direction

Delivery

- Wooden case

- PRESET-Function (setting a numerical value)
- Variable data output RS 232 + Digimatic + USB

Measuring range	Base length		Reading		Error limit	Order no.	List price
	mm	inch	mm	inch			
0 - 100	0 - 4	85	0.01	.0005	0.02	1376 514	496.00

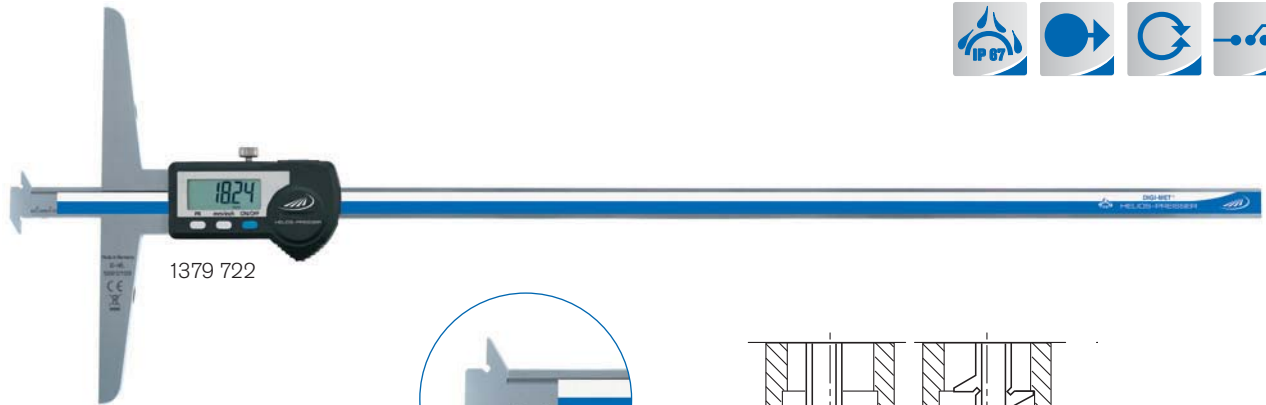


Accessories

	Order no.	List price
Battery, 3V-Lithium, CR 2032	0220 704	3.70
Disc type measuring insert	1276 591	18.00
Data cable DATA VARIABLE to RS232	1997 501	48.00
Data cable DATA VARIABLE to digimatic	1998 501	61.00
Data cable DATA VARIABLE to USB	1998 720	69.00



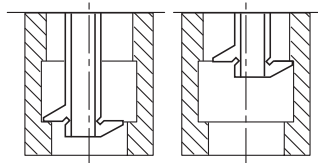
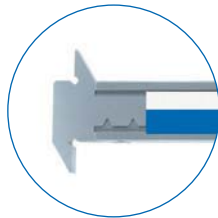
1379 DIGI-MET® Depth gauges with interchangeable inserts



1379 722



1



Model

- Interchangeable inserts for solving different measuring tasks
- Measuring base can be attached (optional, see accessories)
- Stainless steel
- Inductive measuring system, protection class IP67
- Factory standard

Functions

- ON / OFF
- **Quick-Start**
- **Quick-Lock** (key lock)
- PRESET-Function (setting a numerical value)
- Set to zero at any point
- mm / inch switching
- Variable data output RS 232 + Digimatic + USB

Delivery

- Wooden case
- With inserts for width and distance measurements, Order no. 1279 780
- [More inserts and measuring base optional](#)

▣	Measuring range		Base length mm	Reading		Error limit mm	Order no.	List price EUR
	mm	inch		mm	inch			
▪	0 - 300	0 - 12	150	0.01	.0005	0.03	1379 722	636.00
▪	0 - 500	0 - 20	150	0.01	.0005	0.03	1379 728	877.00



1998720 1997501 1998501

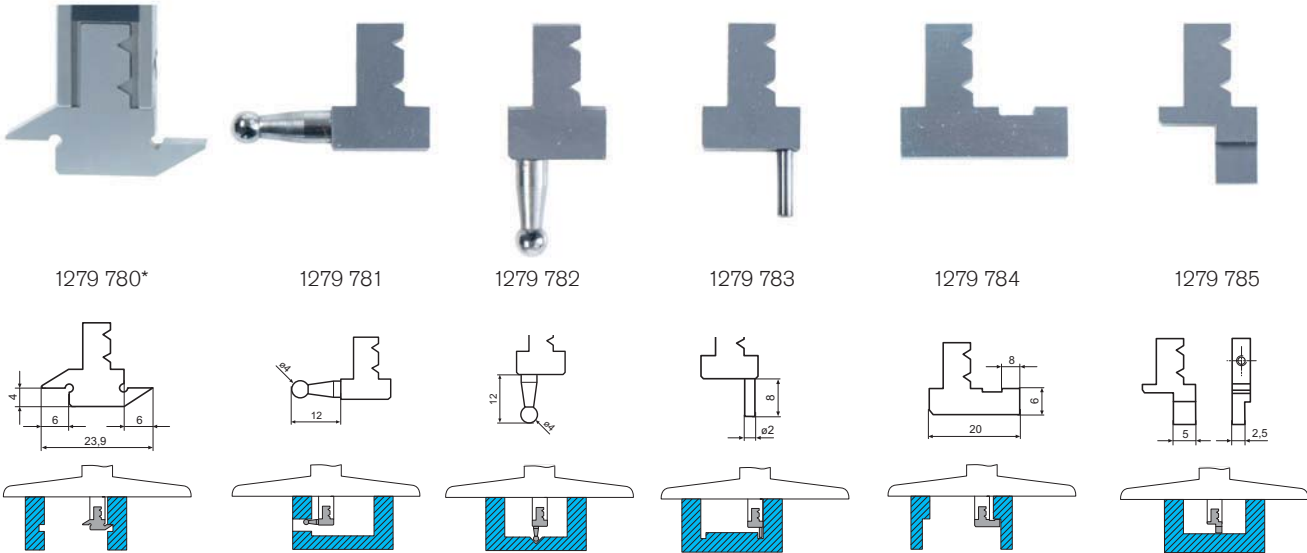
Accessories

	Order no.	List price EUR
Battery, 3V-Lithium, CR 2032	0220 704	3.70
Data cable DATA VARIABLE to RS232	1997 501	48.00
Data cable DATA VARIABLE to digimatic	1998 501	61.00
Data cable DATA VARIABLE to USB	1998 720	69.00





1279 Interchangeable inserts made of stainless steel, hardened



✕	¼	Description	Order no.	List price EUR
		Insert for width and distance measurements*	1279 780	109.00
		Insert with ball, angled	1279 781	109.00
		Insert with ball, straight	1279 782	109.00
		Insert with measuring pin	1279 783	109.00
		Insert with hook	1279 784	109.00
		Insert with straight measuring rod	1279 785	109.00

* Standard insert included in the delivery of the basic instrument

0279 Sliding measuring base made of stainless steel



✕	¼	Description	Order no.	List price EUR
		300 x 16 mm	0279 722	261.00
		400 x 16 mm	0279 723	273.00



1375 DIGI-MET® Small depth gauge



1

Model

- Stainless steel
- Protection class IP67
- LCD display 7.5 mm
- Factory standard
- Measuring pin

Functions

- ON / OFF
- **Quick-Start**
- **Quick-Lock** (key lock)
- Set to zero at any point
- PRESET-Function (setting a numerical value)
- mm / inch switching
- Variable data output RS 232 + Digimatic + USB

Delivery

- Wooden case

Icon	Measuring range		Base length	Reading		Error limit	Order no.	List price
	mm	inch	mm	mm	inch	mm		EUR
	0 - 25	0 - 1	48	0.01	.0005	0.02	1375 502	239.00



1998720 1997501 1998501

Accessories

	Order no.	List price
		EUR
Battery, 3V-Lithium, CR 2032	0220 704	3.70
Data cable DATA VARIABLE to RS232	1997 501	48.00
Data cable DATA VARIABLE to digimatic	1998 501	61.00
Data cable DATA VARIABLE to USB	1998 720	69.00



1378 DIGI-MET® Depth gauges for one-handed operation



Model

- Stainless steel
- Inductive measuring system, protection class IP67
- Locking screw
- Factory standard
- Constant measuring force through spring pressure
- Measuring pin with thread M 2.5 for exchangeable measuring inserts for core hole bores, also compatible with dial gauges inserts (see No. 0710) for depth measurement
- Measuring inserts for core hole bores (for additional costs) see table

Functions

- ON / OFF
- **Quick-Start**
- **Quick-Lock** (key lock)
- Set to zero at any point
- mm / inch switching
- PRESET-Function (setting a numerical value)
- Variable data output RS 232 + Digimatic + USB

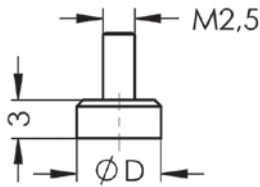
Delivery

- Ball measuring insert for depth measurement

Marked *	Marked *	Measuring range		Reading		Error limit	Order no.	List price
		mm	inch	mm	inch			
		0 - 60	0 - 2.4	0.01	.0005	0.02	1378 505	756.00
		0 - 100	0 - 4	0.01	.0005	0.02	1378 508	814.00



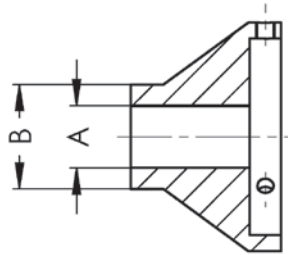
1278 Measuring inserts



⌘	¼	Thread size mm	Core diameter mm	Insert diameter mm	Order no.	List price EUR
		M 16 x 1.5	14.38	14.32	1278 923	27.00
		M 16 x 1	14.92	14.87	1278 924	27.00
		M 12 x 1.25	10.65	10.59	1278 936	27.00
		M 12 x 1	10.92	10.87	1278 938	27.00
		M 10 x 1	8.92	8.87	1278 940	27.00
		M 10 x 0.75	9.19	9.13	1278 942	27.00
		M 8 x 1	6.92	6.87	1278 944	27.00
		M 8 x 0.75	7.19	7.14	1278 946	27.00
		M 6 x 0.75	5.19	5.14	1278 948	27.00
		M 5 x 0.5	4.46	4.41	1278 950	27.00
		M 16	13.84	13.79	1278 952	27.00
		M 12	10.11	10.05	1278 954	27.00
		M 10	8.38	8.32	1278 956	27.00
		M 8	6.65	6.59	1278 958	27.00
		M 6	4.92	4.87	1278 960	27.00
		M 5	4.13	4.08	1278 962	27.00
		16 pieces - set			1278 930	396.00

1

1278 Reduction piece



⌘	¼	A mm	B mm	Order no.	List price EUR
		6	12.00	1278 912	109.00
		9.5	16.00	1278 916	109.00
		15	20.00	1278 920	109.00



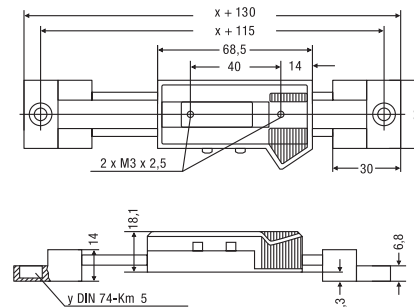
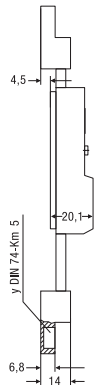
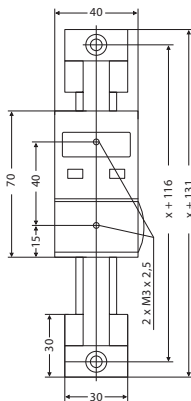
0273 DIGI-MET® Mounting scales



0273 752



0273 732



Model

- Beam made of stainless steel
- Slide and fixture are made of anodized aluminium
- Larger measuring ranges are available upon request

Functions

- ON / OFF
- Set to zero at any point
- mm / inch switching
- Hold
- PRESET-Function (setting a numerical value)

Delivery

- Cardboard box

⊗	⊗	Measuring range		Reading		Error limit mm	Order no.	List price EUR
		mm	inch	mm	inch			
Horizontal								
		0 - 150	0 - 6	0.01	.0005	0.03	0273 731	197.00
		0 - 200	0 - 8	0.01	.0005	0.03	0273 732	203.00
		0 - 300	0 - 12	0.01	.0005	0.03	0273 735	220.00
		0 - 450	0 - 18	0.01	.0005	0.03	0273 738	233.00
		0 - 600	0 - 24	0.01	.0005	0.03	0273 741	283.00
		0 - 800	0 - 31	0.01	.0005	0.04	0273 745	495.00
		0 - 1000	0 - 39	0.01	.0005	0.04	0273 746	539.00
Vertical								
		0 - 150	0 - 6	0.01	.0005	0.03	0273 751	353.00
		0 - 200	0 - 8	0.01	.0005	0.03	0273 752	358.00
		0 - 300	0 - 12	0.01	.0005	0.03	0273 755	380.00
		0 - 450	0 - 18	0.01	.0005	0.03	0273 758	400.00
		0 - 600	0 - 24	0.01	.0005	0.03	0273 761	430.00
		0 - 800	0 - 31	0.01	.0005	0.04	0273 765	604.00
		0 - 1000	0 - 39	0.01	.0005	0.04	0273 766	649.00



Accessories

	Order no.	List price EUR
Battery, 3V-Lithium, CR 2032	0220 704	3.70
Data cable opto to RS232	0996 701	74.00
Data cable opto to USB	0996 705	141.00
USB-keyboard interface cable	0997 770	241.00



0003 Wooden case for calipers



1

☒	☒	Measuring range	Jaw length (knife points)	Jaw length (w.o. knife points)	Internal dimensions	Order no.	List price
		mm	mm	mm	L x W x H mm		EUR
		160	40	40	250 x 90 x 20	0003 219	7.40
		200	80	80	315 x 145 x 20	0003 220	8.80
		250	80	80	370 x 145 x 20	0003 221	11.10
		300	90	90	435 x 175 x 20	0003 222	15.40
		300		150	435 x 205 x 20	0003 223	17.20
		400		125	610 x 180 x 20	0003 224	25.90
		400	125	150	590 x 220 x 20	0003 225	33.70
		400	150	200	590 x 250 x 20	0003 226	40.20
		400	200		590 x 300 x 20	0003 227	36.80
		500		150	690 x 200 x 20	0003 228	44.80
		500	150	200	690 x 250 x 25	0003 229	46.00
		500	200	250	700 x 315 x 25	0003 230	47.20
		500	250		700 x 350 x 21	0003 231	48.20
		600		150	790 x 200 x 25	0003 232	48.20
		600	150	200	790 x 250 x 25	0003 233	58.00
		600	200		790 x 315 x 21	0003 234	64.00
		600		300	810 x 400 x 25	0003 235	70.00
		800		150	1000 x 220 x 25	0003 236	59.00
		800	150	200	1000 x 270 x 25	0003 237	63.00
		800	200		1000 x 320 x 21	0003 238	64.00
		800		300	1000 x 380 x 25	0003 239	72.00
		800	300		1000 x 420 x 21	0003 240	83.00
		800		400	1100 x 480 x 25	0003 241	83.00
		1000		150	1200 x 220 x 25	0003 242	79.00
		1000	150	200	1250 x 270 x 25	0003 243	84.00
		1000	200		1200 x 320 x 21	0003 244	95.00
		1000		300	1200 x 380 x 25	0003 245	105.00
		1000	300		1230 x 420 x 21	0003 246	113.00
		1000		500	1300 x 600 x 25	0003 247	130.00
	▪	1250		200	1520 x 310 x 25	0003 248	110.00
	▪	1250	200	300	1520 x 380 x 25	0003 249	110.00
	▪	1250	300		1520 x 440 x 25	0003 250	140.00
	▪	1500		200	1800 x 310 x 25	0003 251	146.00
	▪	1500	200	300	1800 x 380 x 25	0003 252	158.00
	▪	1500	300		1800 x 440 x 25	0003 253	188.00
	▪	2000		200	2300 x 310 x 25	0003 254	245.00
	▪	2000	200	300	2300 x 380 x 25	0003 255	289.00
	▪	2000	300		2300 x 460 x 25	0003 256	273.00
	▪	3000		200	3310 x 310 x 25	0003 257	294.00
	▪	3000	200	300	3310 x 400 x 25	0003 258	305.00
	▪	3000	300		3310 x 460 x 25	0003 259	353.00